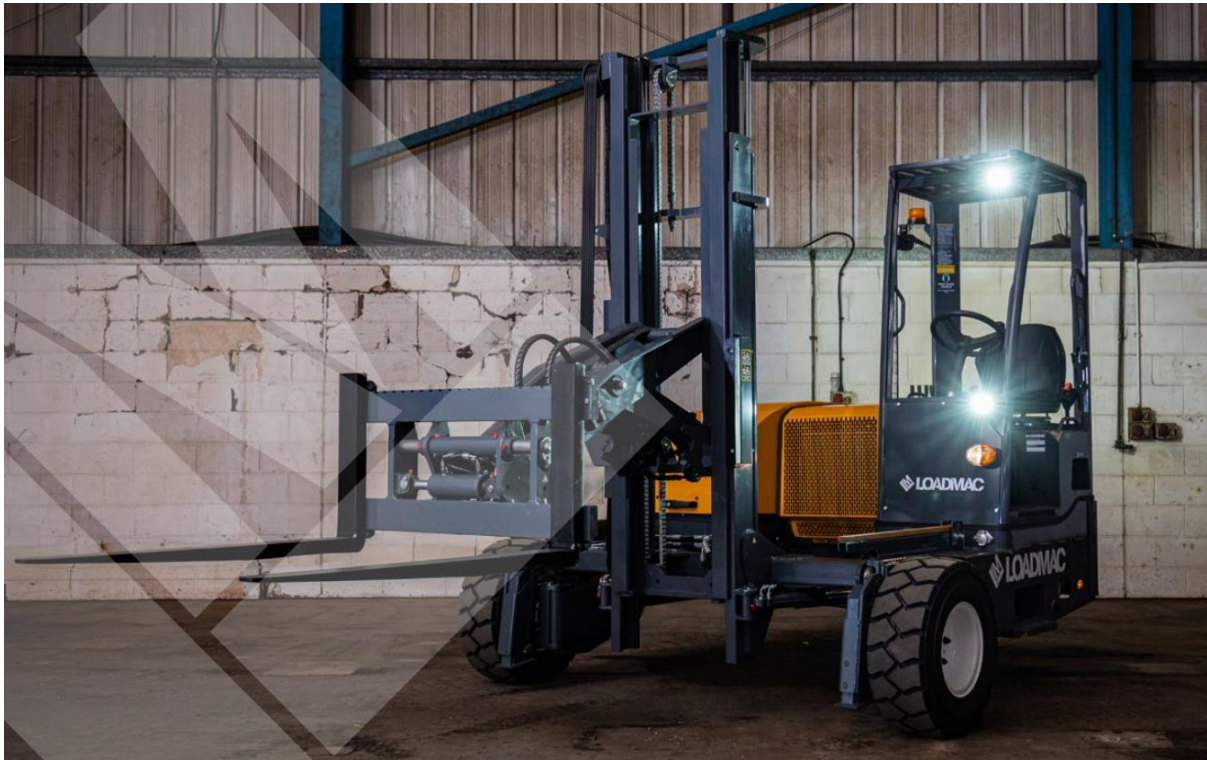


# LOADMAC

## 825/855 ALL TERRITORIES

Powerful | Compact | Versatile



## PARTS MANUAL 2024

**CONDITIONS OF RELEASE**

This information is released by LOADMAC for System Users only.

This information may be subject to privately owned rights.

Call: +44 (0)1989 563656

Email: [info@loadmac.co.uk](mailto:info@loadmac.co.uk)

Visit: [www.loadmac.com](http://www.loadmac.com)

THIS DOCUMENT IS THE PROPERTY OF LOADMAC and is issued for the information of such persons only as need to know its contents in the course of their operation of the System.

**Systems Designed, Developed and Manufactured by**

**LOADMAC**

**for**

**Guaranteed 100% Customer Satisfaction**

© LOADMAC COPYRIGHT RESERVED

## PREFACE

### AMENDMENTS

Each page of this publication bears the date of issue. Red Indicating arrows bracketing red text

(▶ for example ◀) will indicate new or amended technical matter.

Queries concerning the content of this publication, or proposals for amendment, are to be addressed to LOADMAC utilising the contact facility located at <http://www.abtproducts.com/contact/>.

### Copyright

This work is LOADMAC copyright and the intellectual property rights for this publication belong exclusively to LOADMAC and its 3rd Party Suppliers. No material or information contained in this publication should be reproduced, stored in a retrieval system or transmitted in any form without the permission of LOADMAC.

### Distribution

As directed by LOADMAC.

### ISSUE LEVEL

- |   |                                |
|---|--------------------------------|
| 0. Draft issue – North American specification         | 3 <sup>rd</sup> June 2024      |
| 1. First issue – North American specification         | 3 <sup>rd</sup> June 2024      |
| 2. Second issue - Includes detail for all territories | 18 <sup>th</sup> November 2024 |

## WARNINGS AND CAUTIONS

### CONTROL OF SUBSTANCES HAZARDOUS TO HEALTH (COSHH)

Make sure you know the safety precautions and first aid instructions before you use a hazardous substance.

Read the label on the container in which the substance is supplied.

Read the data sheet applicable to the substance.

Obey local orders and regulations.

warnings

**THERE ARE NO WARNINGS APPLICABLE TO THIS ILLUSTRATED PARTS CATALOGUE. ALL SPARES WILL BE RECEIVED WITH PERTINENT SAFETY INFORMATION AND COSHH INFORMATION AS REQUIRED.**

### CAUTIONS

**There are no CAUTIONS applicable to this Illustrated Parts Catalogue. All Spares will be received with pertinent safety information and COSHH information as required.**

LOADMAC Doc No: LM1-970-05

Valid for truck 855-713 to date



**INTENTIONALLY LEFT BLANK**

# CONTENTS

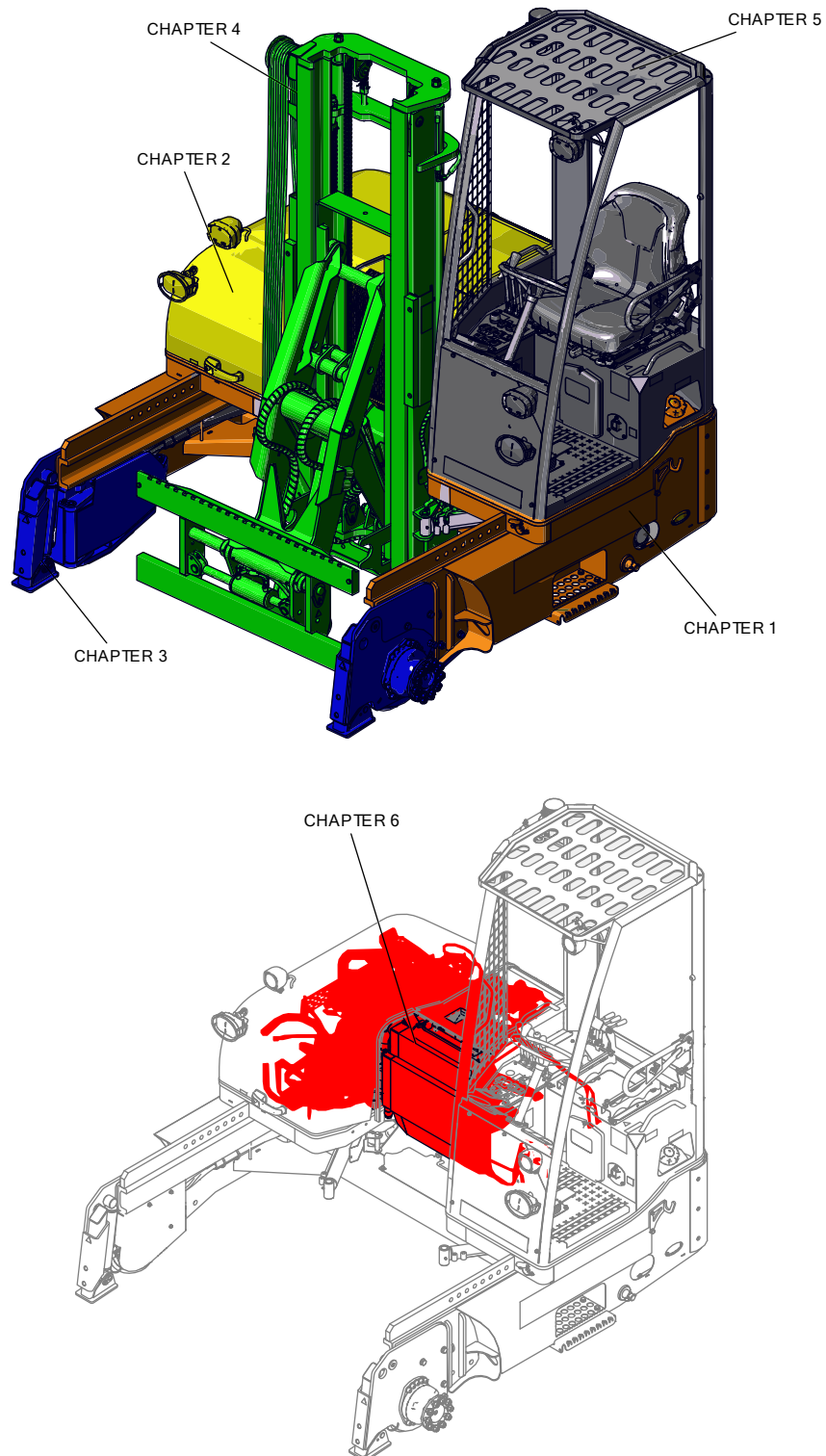


Figure 1: CHAPTERS

CHAPTER1:	CHASSIS .....	11
CHAPTER1.1:	CHASSIS BASE ASSEMBLY .....	12
CHAPTER1.2:	BOLT ON STEP .....	15
CHAPTER1.3:	CHAIN PIN ASSEMBLY.....	16
CHAPTER1.4:	CHAIN HOOKS.....	17
CHAPTER1.5:	CORNER GUARDS .....	19
CHAPTER1.6:	DIESEL TANK.....	21
CHAPTER1.7:	CAB MOUNTS .....	23
CHAPTER1.8:	REAR CHASSIS LOUVRE.....	24
CHAPTER1.9:	BONNET HINGE .....	26
CHAPTER1.10:	BONNET LATCH .....	27
CHAPTER1.11:	BATTERY .....	28
CHAPTER1.12:	ENGINE MOUNTS .....	30
CHAPTER1.13:	SUZI SOCKET .....	31
CHAPTER1.14:	BEEPER, HORN AND VALANCE POSITIONS – STANDARD MASTS.....	32
CHAPTER1.15:	BEEPER AND HORN ASSEMBLY – STANDARD MASTS .....	33
CHAPTER1.16:	VALANCES – STANDARD MAST .....	34
CHAPTER1.17:	BEEPER, HORN AND VALANCE POSITIONS – CAM MASTS.....	36
CHAPTER1.18:	BEEPER AND HORN ASSEMBLY – CAM MASTS .....	37
CHAPTER1.19:	VALANCES – CAM MAST.....	38
CHAPTER1.20:	BASH PLATES .....	40
CHAPTER1.21:	CHASSIS TO MAST CARRIAGE CYLINDERS .....	41
CHAPTER1.22:	HYDRAULIC OIL TANK.....	42
CHAPTER1.23:	CARRIAGE HOSE RETAINER .....	46
CHAPTER1.24:	HYDRAULIC AUXILIARY PLATE ASSEMBLY .....	48
CHAPTER1.25:	STEERING PRIORITY VALVE .....	50
CHAPTER1.26:	RETURN MANIFOLD ASSEMBLY JIC .....	52
CHAPTER1.27:	ISR DIVERTER ASSEMBLY AND CONNECTION TO CARRIAGE CYLINDERS.....	54
CHAPTER1.28:	ISR RELIEF VALVE WITH HOSES TO MASTS.....	57
CHAPTER1.29:	4-WAY STEERING BLOCK .....	59
CHAPTER1.30:	400BAR ISR RELIEF VALVE JIC.....	63
CHAPTER1.31:	4-WAY LOOM WITH INTERLOCK JIC .....	65
CHAPTER1.32:	REAR STEER MOTOR.....	67
CHAPTER1.33:	CHASSIS LIGHTS.....	69

## Valid for truck 855-713 to date

CHAPTER2:	BONNETS AND GRILL.....	77
CHAPTER2.1:	MAIN BONNETS GROMMET / MARKER LIGHT .....	78
CHAPTER2.2:	MAIN BONNET ASSEMBLY TO CHASSIS.....	79
CHAPTER2.3:	CENTRE BONNET ASSEMBLY .....	82
CHAPTER2.4:	CENTRE BONNET MARKER LIGHTS.....	84
CHAPTER2.5:	CENTRE GRILL ASSEMBLY .....	85
CHAPTER2.6:	4-WAY MAST MONITOR ON GRILL ASSEMBLY .....	86
CHAPTER2.7:	4-WAY MAST MONITOR PICKUP PLATES ON 3 <sup>RD</sup> STAGE MAST.....	87
CHAPTER3:	WHEEL ASSEMBLIES .....	89
CHAPTER3.1:	REAR WHEEL ASSEMBLY UNIVERSAL .....	90
CHAPTER3.2:	REAR WHEEL HYDRAULICS 2-WAY .....	95
CHAPTER3.3:	REAR WHEEL HYDRAULICS 4-WAY .....	99
CHAPTER3.4:	FRONT WHEEL ASSEMBLY AND HYDRAULICS 2-WAY .....	103
CHAPTER3.5:	FRONT WHEEL ASSEMBLY AND HYDRAULICS 4-WAY .....	117
CHAPTER3.6:	4 WAY CYLINDER HOSES .....	136
CHAPTER4:	MASTS .....	138
CHAPTER4.1:	3.1M MAST.....	139
CHAPTER4.2:	YCHAINKIT1 .....	144
CHAPTER4.4:	3.1M MAST STAGES 1 AND 2 – HYDRAULICS .....	148
CHAPTER4.5:	3.6M MAST.....	153
CHAPTER4.6:	YCHAINKIT2 .....	159
CHAPTER4.7:	3.6M MAST STAGES 1 AND 2 - HYDRAULICS.....	164
CHAPTER4.8:	STAGE 3 MAST COMMON .....	167
CHAPTER4.9:	STAGE 3 MAST COMMON - HYDRAULICS .....	178
CHAPTER4.10:	TILT CYLINDER WITH HOSE CONNECTIONS.....	179
CHAPTER4.11:	ISR CYLINDER WITH HOSE CONNECTIONS .....	180
CHAPTER4.12:	SIDE SHIFT CYLINDER WITH HOSE CONNECTIONS .....	181
CHAPTER4.13:	3.1M CAM MAST .....	182
CHAPTER4.14:	3.1M CAM MAST STAGES 1 AND 2 HYDRAULICS .....	188
CHAPTER4.15:	3.6M CAM MAST .....	191
CHAPTER4.16:	3.6M CAM MAST STAGES 1 AND 2 HYDRAULICS .....	196
CHAPTER5:	CAB.....	199
CHAPTER5.1:	SEAT.....	202
CHAPTER5.2:	PEDALS .....	207
CHAPTER5.3:	MAIN PARTS AND DUMP VALVE .....	211



## Valid for truck 855-713 to date

CHAPTER5.4:	FRONT COVER PANEL ASSEMBLY AND LHS INDICATOR LIGHT .....	224
CHAPTER5.5:	ORANGE BEACON LIGHT .....	228
CHAPTER5.6:	SEATBELT GREEN BEACON WARNING KIT OPTION .....	230
CHAPTER5.7:	FUSES / DISPLAY / IGNITION / GLOW PLUG .....	232
CHAPTER5.8:	SWITCH PANEL ARRANGEMENT FOR 2 WAY AND 4 WAY .....	239
CHAPTER5.9:	LEVER BANKS.....	253
CHAPTER5.10:	COUNTERBALANCE VALVE UNDER CAB .....	259
CHAPTER5.11:	STEERING.....	260
CHAPTER5.12:	WORKLIGHTS ON CAB .....	262
CHAPTER5.13:	REG NUMBER PLATES.....	266
CHAPTER5.14:	LED REAR CORNER MARKER LIGHT .....	270
CHAPTER6:	POWERTRAIN AND TRANSMISSION .....	273
CHAPTER6.1:	ENGINE .....	274
CHAPTER6.2:	FUEL AND COOLANT CONNECTIONS.....	278
CHAPTER6.3:	HATZ TIER 4 FINAL ENGINE .....	281
CHAPTER6.4:	HATZ DOWNPIPE ASSEMBLY .....	283
CHAPTER6.5:	HATZ DOC HEAT SHEILD .....	284
CHAPTER6.6:	HATZ INTAKE RUNNER ADAPTER .....	285
CHAPTER6.7:	HATZ ENGINE COOLING SYSTEM.....	286
CHAPTER6.8:	AIR FILTER HOUSING .....	291
CHAPTER6.9:	HYDROSTATIC TRANSMISSION PUMP.....	292
CHAPTER6.10:	OIL COOLER .....	295
CHAPTER7:	HARD RIDE SETUP .....	297
CHAPTER8:	FIGURES.....	298
CHAPTER9:	TABLES.....	303
CHAPTER10:	INDEX .....	306
CHAPTER10.1:	INDEX OF PART NUMBERS .....	306
CHAPTER10.2:	INDEX OF DESCRIPTIONS.....	314

**INTENTIONALLY LEFT BLANK**

## CHAPTER1: CHASSIS

## CHAPTER1.1: CHASSIS BASE ASSEMBLY

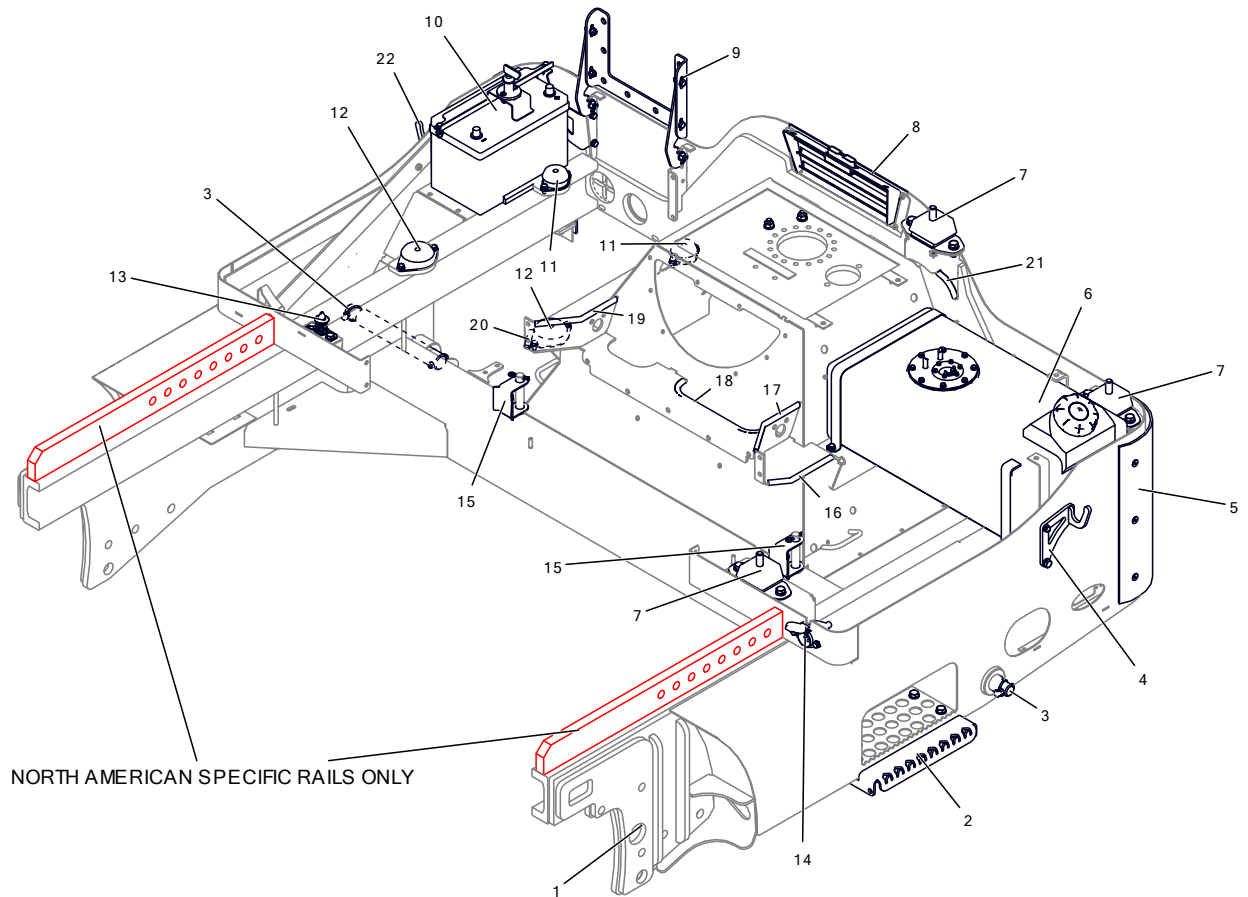


Figure 2: LM1-160-100 –CHASSIS ASSEMBLY

ITEM	PART NUMBER	QTY	DESCRIPTION	NOTES
1	LM1-150-00	1	CHASSIS WELD ASSEMBLY – AUSTRALIAN / UK / ROW	
	LM1-160-00		CHASSIS WELD ASSEMBLY – NORTH AMERICA (NOTE ADDITIONAL WELDED RAILS)	
2	LM1-100-440	1	CHASSIS STEP ASSEMBLY	
3	LM1-107-100	2	CHAIN PIN ASSEMBLY	
4	LM1-906-500	1	CHASSIS CHAIN HOOK ASSEMBLY LH	
5	LM1-100-270	2	CORNER GUARD	
6	LM1-602-750	1	DIESEL TANK COMPLETE WITH MOUNTINGS	
7	LM1-100-500	3	CAB MOUNT ASSEMBLY	
8	LM1-106-330	1	REAR CHASIS LOUVRE COMPLETE	
9	LM1-125-100	1	BONNET HINGE ASSEMBLY	
10	LM1-870-10	1	BATTERY AND MOUNTING ASSEMBLY	
11	YMOUNT6	2	RUBBER ENGINE MOUNT	
12	YMOUNT5	2	RUBBER ENGINE MOUNT	
13	LM1-100-610	1	BONNET LATCH ASSEMBLY	
14	LM1-800-10	1	SUZI SOCKET WITH FASTENERS	
15	LM1-107-03	2	HOSE SWIVEL BRACKET	
16	LM1-154-13	1	YSEALSTRIP30 195MM LONG	
17	LM1-154-11	1	YSEALSTRIP30 230MM LONG	
18	LM1-154-17	1	YSEALSTRIP30 195MM LONG	
19	LM1-154-12	1	YSEALSTRIP30 230MM LONG RH	
20	LM1-154-14	1	YSEALSTRIP30 65MM LONG	
21	LM1-154-15	1	YSEALSTRIP30 195MM LONG	
22	LM1-906-400	1	CHASSIS CHAIN HOOK ASSEMBLY RH	

Table 1: LM1-160-100 - CHASSIS ASSEMBLY - BOM

## CHAPTER1.2: BOLT ON STEP

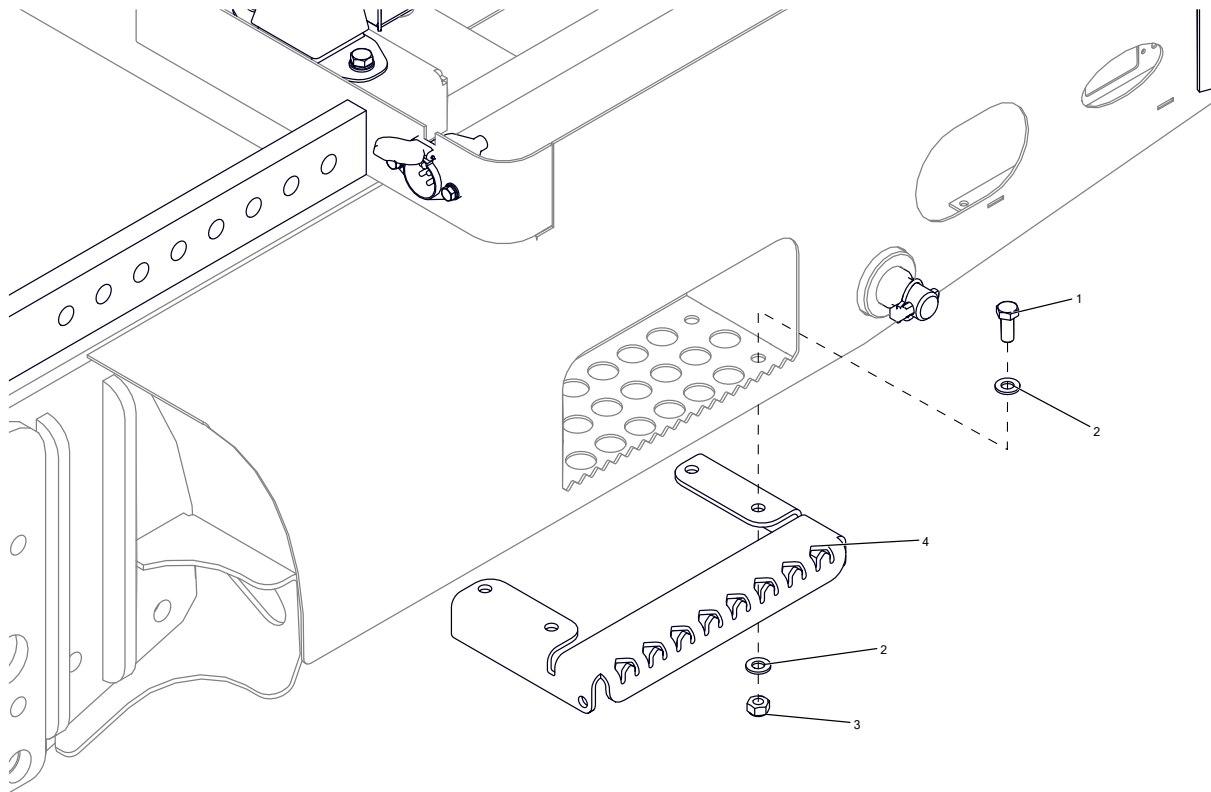


Figure 3 LM1-100-440 BOLT ON STEP

ITEM	PART NUMBER	QTY	DESCRIPTION	NOTES
1	XS12030Z	4	M12 X 30 HEX HEAD SCREW 8.8	
2	XW12AZ	8	M12 FORM A WASHER	
3	XN12N	4	M12 NYLOC NUT	
4	LM1-100-44	1	BOLT ON STEP	

Table 2: LM1-100-440 BOLT ON STEP

### CHAPTER1.3: CHAIN PIN ASSEMBLY

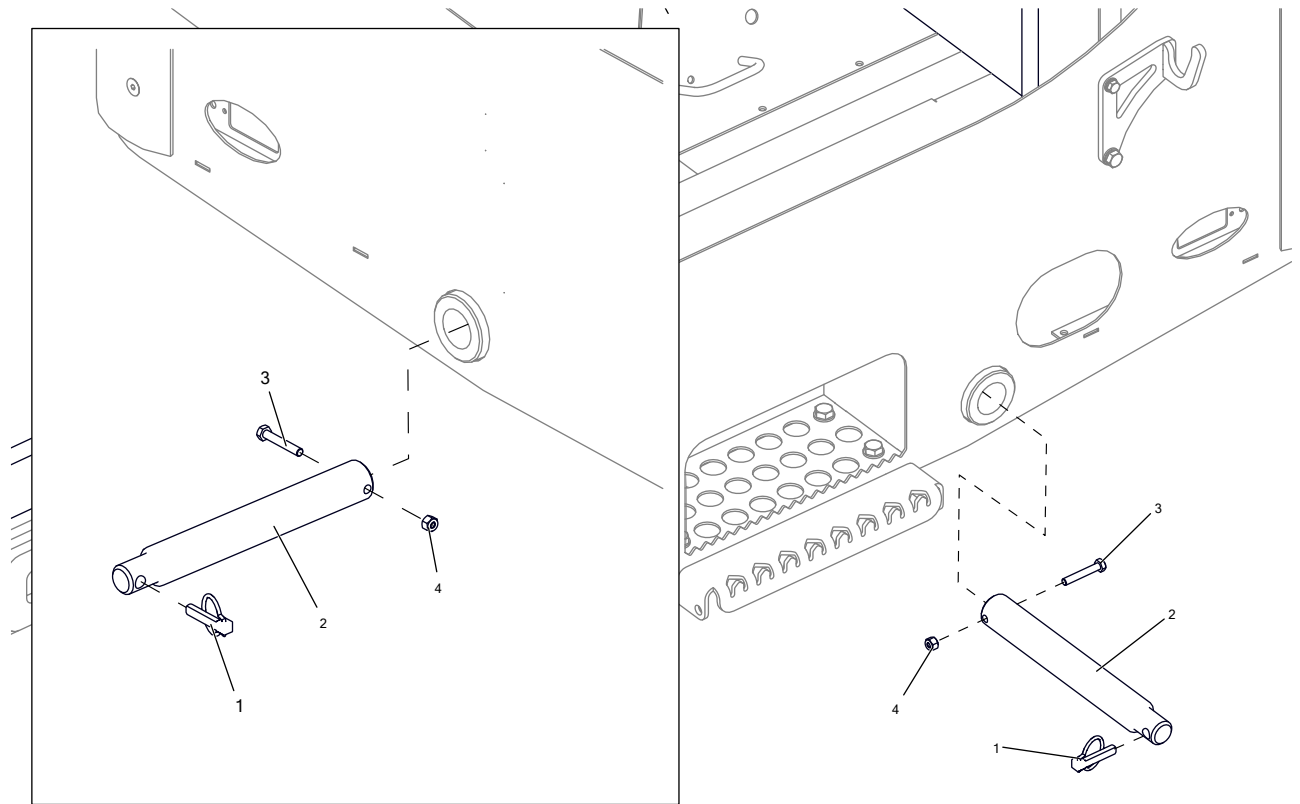


Figure 4: LM1-107-100 CHAIN PIN ASSEMBLY

ITEM	PART NUMBER	QTY	DESCRIPTION	NOTES
1	YLPIN1	2	LYNCH PIN	
2	LM1-107-01	2	LOADING CHAIN PIN	
3	XS08050Z	2	M8 X 50 HEX HEAD SCREW 8.8	
4	XN08N	2	M8 NYLOC NUT	

Table 3: LM1-107-100 CHAIN PIN ASSEMBLY



## CHAPTER1.4: CHAIN HOOKS

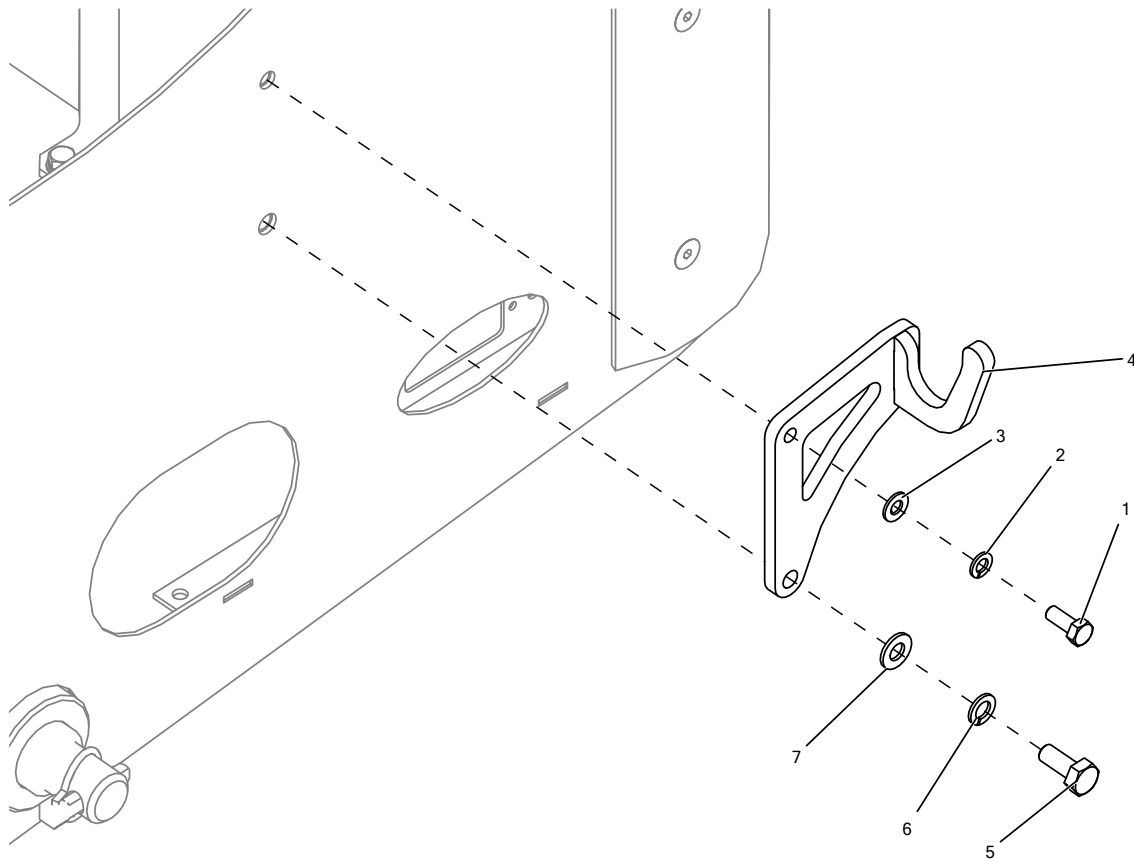


Figure 5: LM1-906-500 LH CHASSIS CHAIN HOOK ASSEMBLY

ITEM	PART NUMBER	QTY	DESCRIPTION	NOTES
1	XS08020Z	1	M8 X 20 HEX HEAD SCREW 8.8	
2	XW08SZ	1	M8 SPRING WASHER	
3	XW08AZ	1	M8 FORM A WASHER	
4	LM1-906-05	1	CHAIN HOOK - LH	
5	XS10025ZFINE	1	M10 X 25 HEX HEAD SCREW 8.8 FINE	
6	XW10SZ	1	M10 SPRING WASHER	
7	XW10AZ	1	M10 FORM A WASHER	

Table 4: LM1-906-500 LH CHASSIS CHAIN HOOK ASSEMBLY

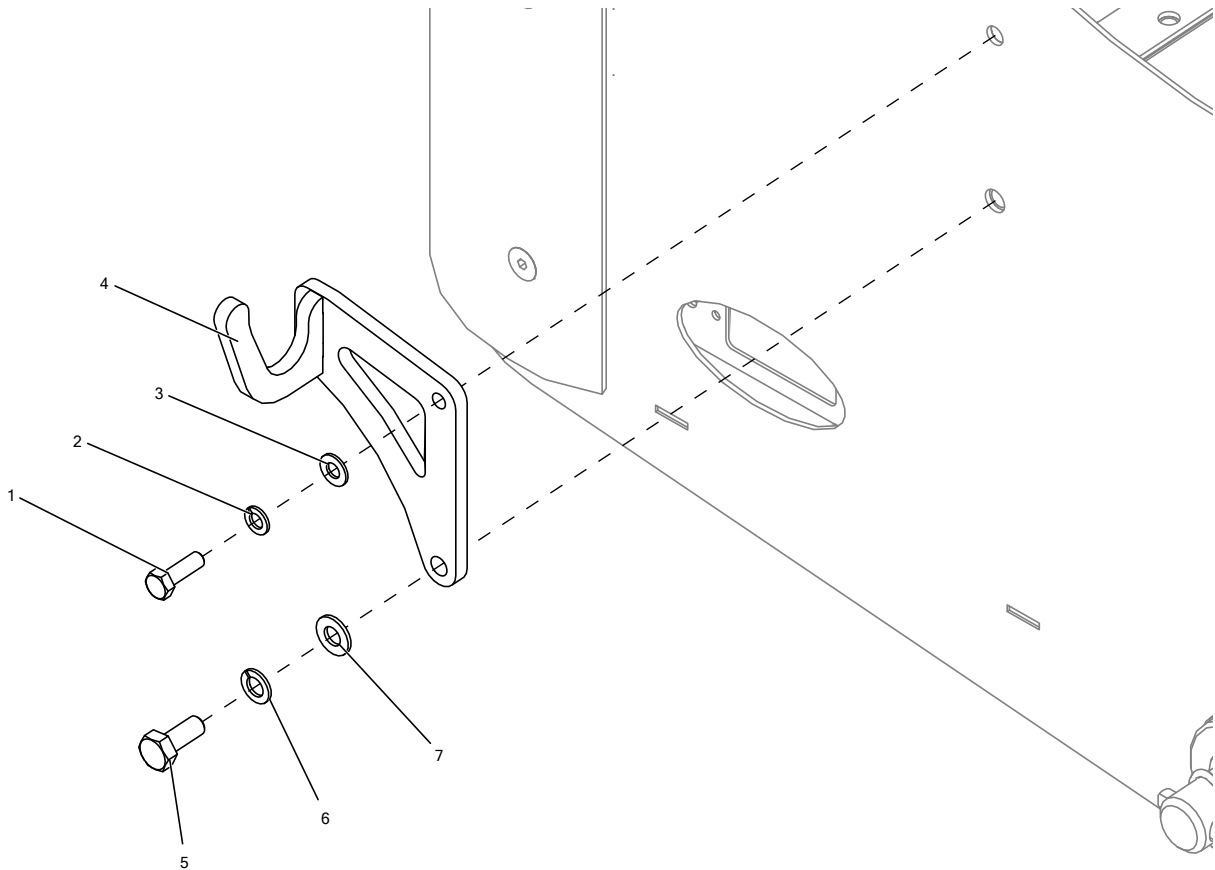


Figure 6: LM1-906-400 RH CHASSIS CHAIN HOOK ASSEMBLY

ITEM	PART NUMBER	QTY	DESCRIPTION	NOTES
1	XS08025Z	1	M8 X 20 HEX HEAD SCREW 8.8	
2	XW08SZ	1	M8 SPRING WASHER	
3	XW08AZ	1	M8 FORM A WASHER	
4	LM1-906-04	1	CHAIN HOOK - RH	
5	XS10025Z	1	M10 X 25 HEX HEAD SCREW 8.8	
6	XW10SZ	1	M10 SPRING WASHER	
7	XW10AZ	1	M10 FORM A WASHER	

Table 5: LM1-906-400 RH CHASSIS CHAIN HOOK ASSEMBLY - BOM

## CHAPTER1.5: CORNER GUARDS

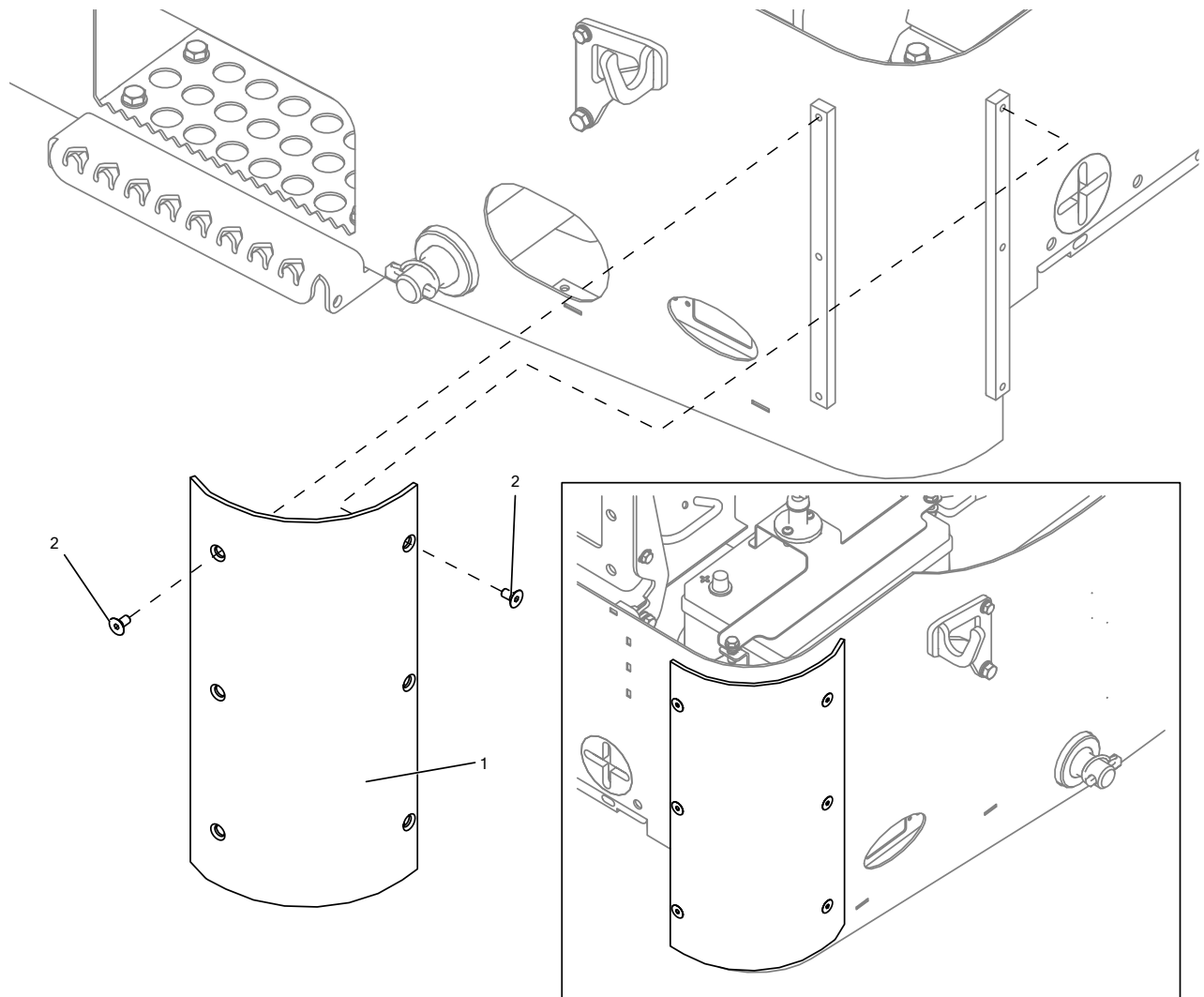


Figure 7: LM1-100-270 CORNER GUARD

ITEM	PART NUMBER	QTY	DESCRIPTION	NOTES
1	LM1-100-270	1	CORNER GUARD	
2	XCSK08016Z	12	M8 X 16 CSUNK SCREW 8.8	

Table 6: LM1-100-270 CORNER GUARD - BOM

**INTENTIONALLY LEFT BLANK**

## CHAPTER1.6: DIESEL TANK

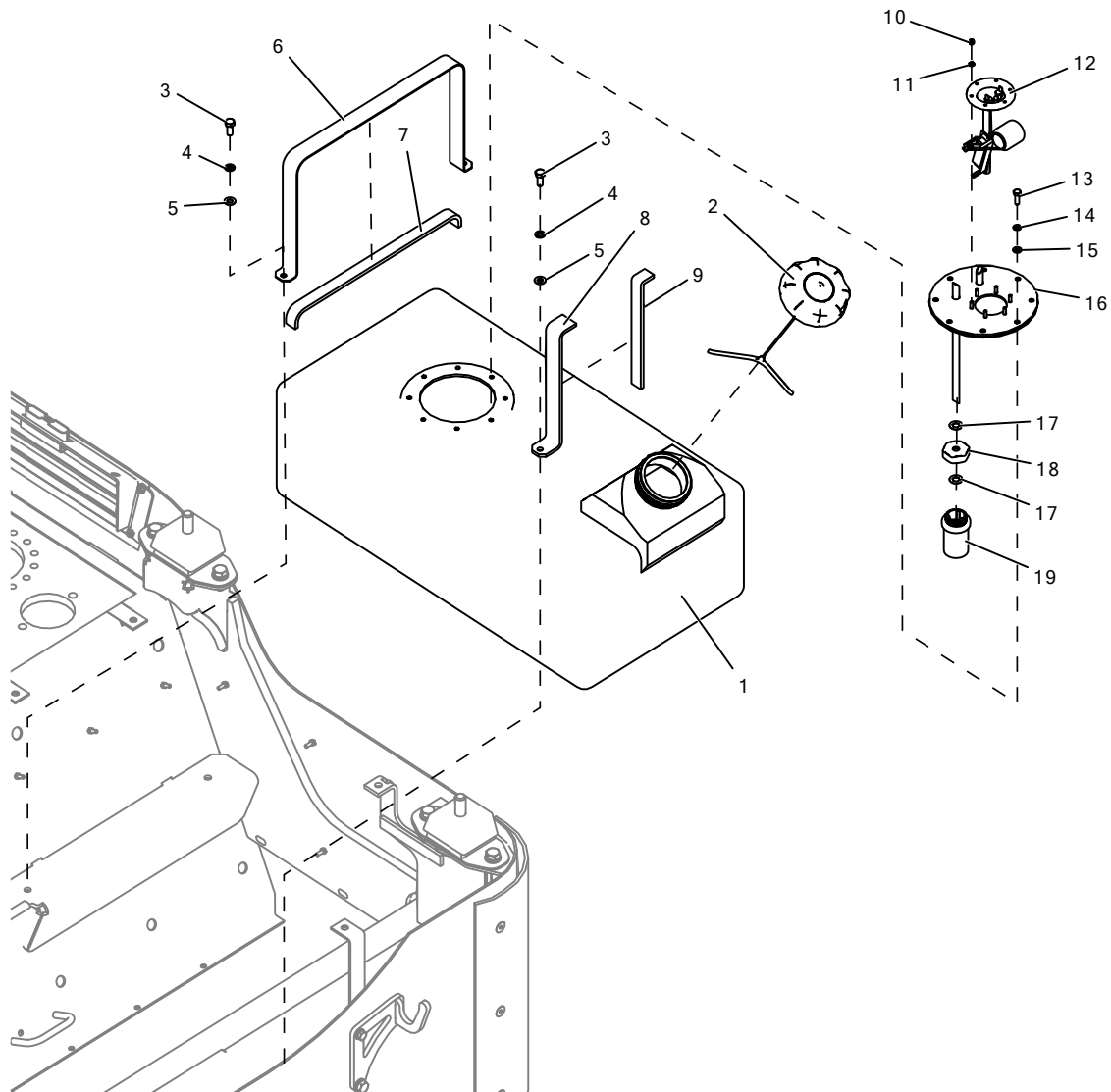


Figure 8: LM1-602-750 DIESEL TANK COMPLETE WITH MOUNTINGS

ITEM	PART NUMBER	QTY	DESCRIPTION	NOTES
1	LM1-602-07	1	DIESEL TANK	
2	YFILLER5	1	FUEL CAP – NON-LOCKING	
3	XS08020Z	4	M8 C 20 HEX HEAD SCREW 8.8	
4	XW08SZ	3	M8 SPRING WASHER	
5	XW08AZ	3	M8 FORM A WASHER	
6	LM1-602-02	1	FUEL TANK STRAP	
7	LM1-154-09	1	YTAPE3 130MM LONG	
8	LM1-602-03	1	FUEL TANK STRAP SMALL	
9	LM1-154-08	1	YTAPE3 130MM LONG	
10	XN04N	6	M4 NYLOC NUT	
11	XW04Z	6	M4 FORM A WASHER	
12	LM1-602-20	1	YSENDER1 MODIFIED FOR 855 DIESEL TANK	
13	XS06020Z	8	M6 X 20 HEX HEAD SCREW 8.8	
14	XW06SZ	8	M6 SPRING WASHER	
15	XW06AZ	8	M6 FORM A WASHER	
16	LM1-100-58	1	FUEL TANK INTERFACE ASSEMBLY	
17	XW10STAR	2	25mm STARLOCK ZINC & CLEAR	
18	YSTRAINERCAP1	1	DIESEL STRAINER CAP BRASS 1" BSP	
19	YSTRAINER1	1	DIESEL STRAINER STAINLESS STEEL 1" BSP	

Figure 9: LM1-602-750 DIESEL TANK COMPLETE WITH MOUNTINGS – BOM

## CHAPTER1.7: CAB MOUNTS

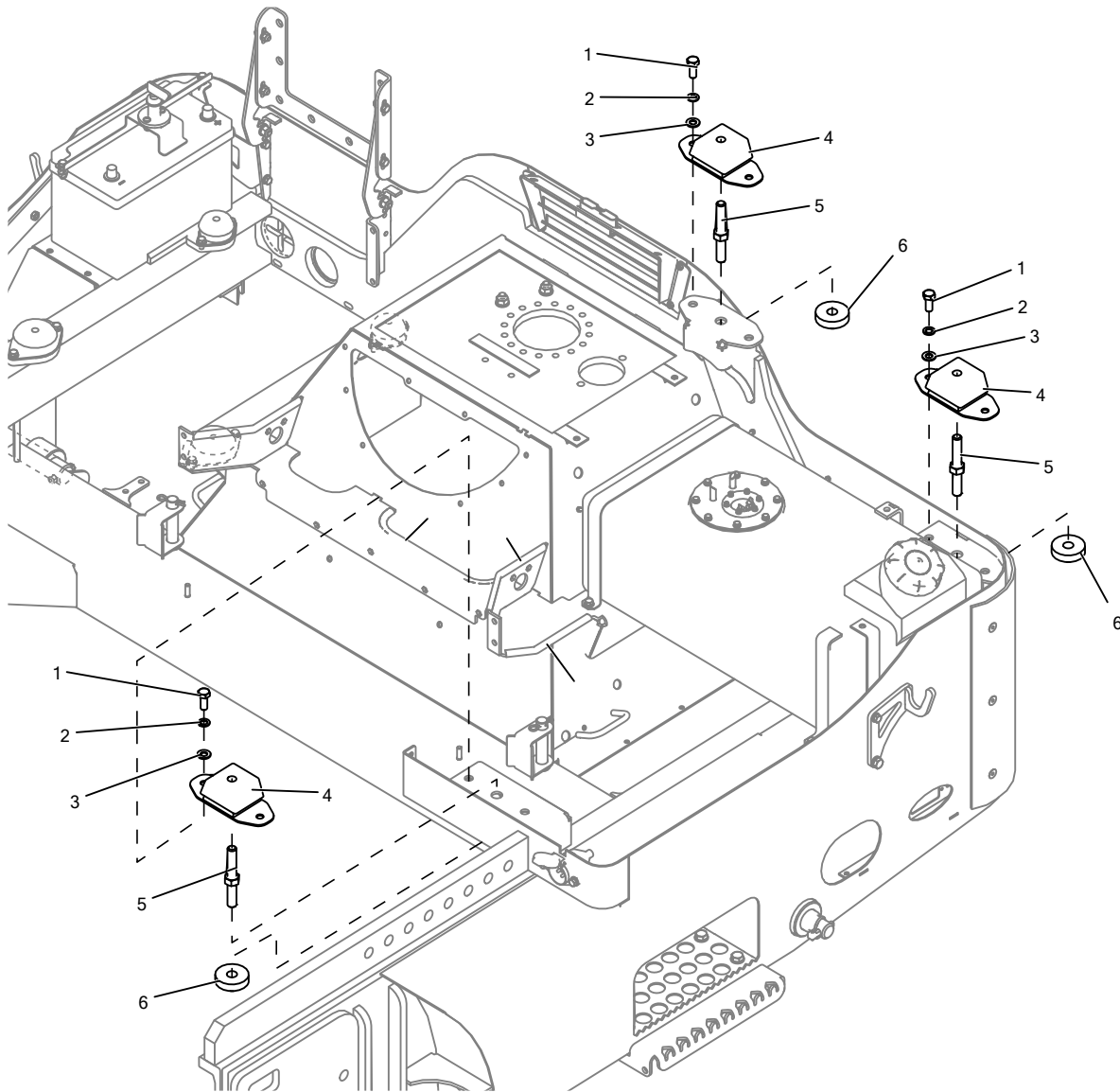


Figure 10: LM1-100-500 CAB MOUNTS

ITEM	PART NUMBER	QTY	DESCRIPTION	NOTES
1	XS12030Z	6	M12 X 30 HEX HEAD SCREW 8.8	
2	XW12SZ	6	M12 SPRING WASHER	
3	XW12AZ	6	M12 FORM A WASHER	
4	YMOUNT7	3	CAB MOUNT	
5	LM1-500-25	3	CAB MOUNT BAR	
6	LM1-503-02	3	CAB MOUNT WASHER	

Table 7: LM1-100-500 CAB MOUNTS - BOM

## CHAPTER1.8: REAR CHASSIS LOUVRE

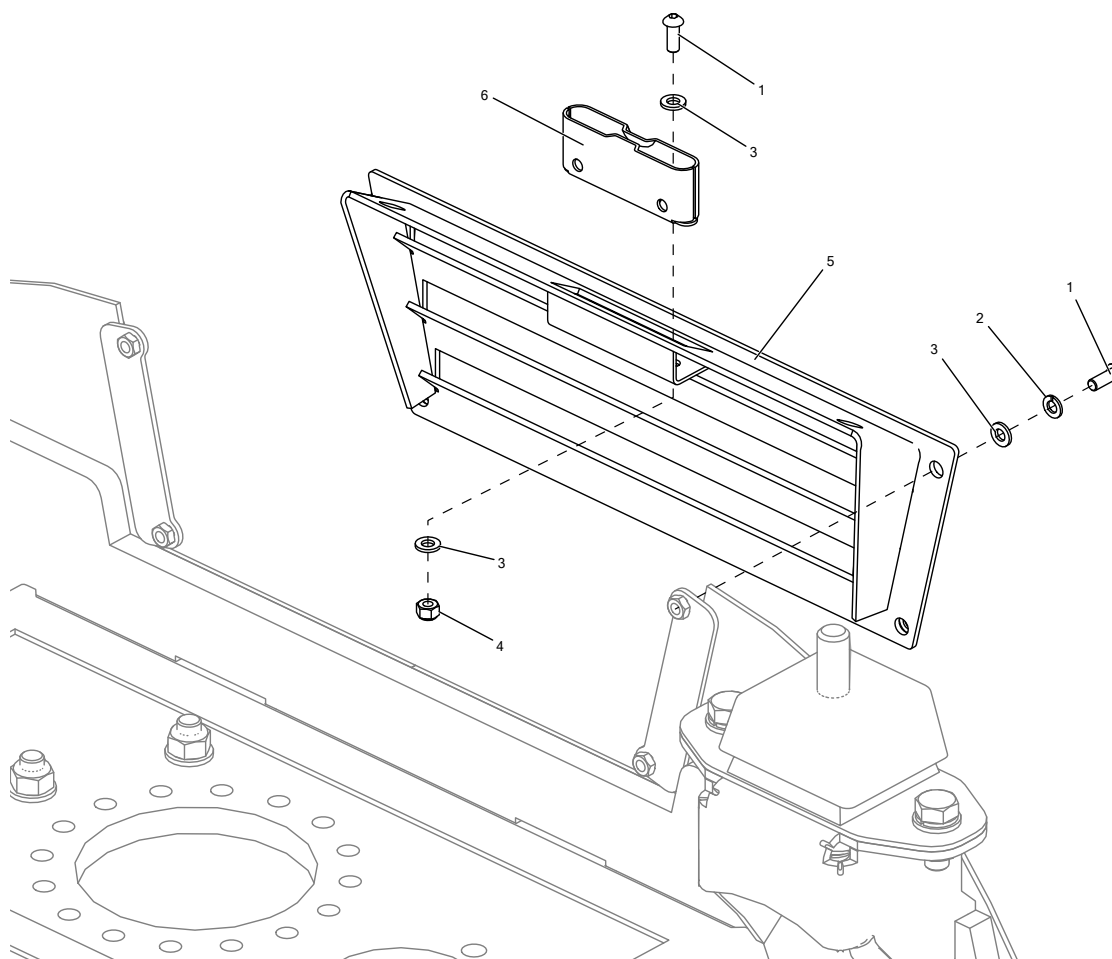


Figure 11: LM1-106-330 REAR CHASSIS LOUVRE COMPLETE

ITEM	PART NUMBER	QTY	DESCRIPTION	NOTES
1	XBUT06016SKTZB	6	M6 X 16 BUTTON HEAD SCREW 8.8	
2	XW06SZ	4	M6 SPRING WASHER	
3	XW06AZ	8	M6 FORM A WASHER	
4	XN06N	2	M6 NYLOC NUT	
5	LM1-106-30	1	LOWER LOUVRE ASSEMBLY	
6	YLATCH14	1	CENTER BONNET LATCH	

Table 8: LM1-106-330 REAR CHASSIS LOUVRE COMPLETE - BOM



**LOADMAC Doc No: LM1-970-05**

**Valid for truck 855-713 to date**



LOADMAC, Ashburton Ind Est., Ross-on-Wye, Herefordshire, HR9 7BW  
☎ +44 (0)1989 563656 ✉ info@loadmac.co.uk 🌐 www.loadmac.com

## CHAPTER1.9: BONNET HINGE

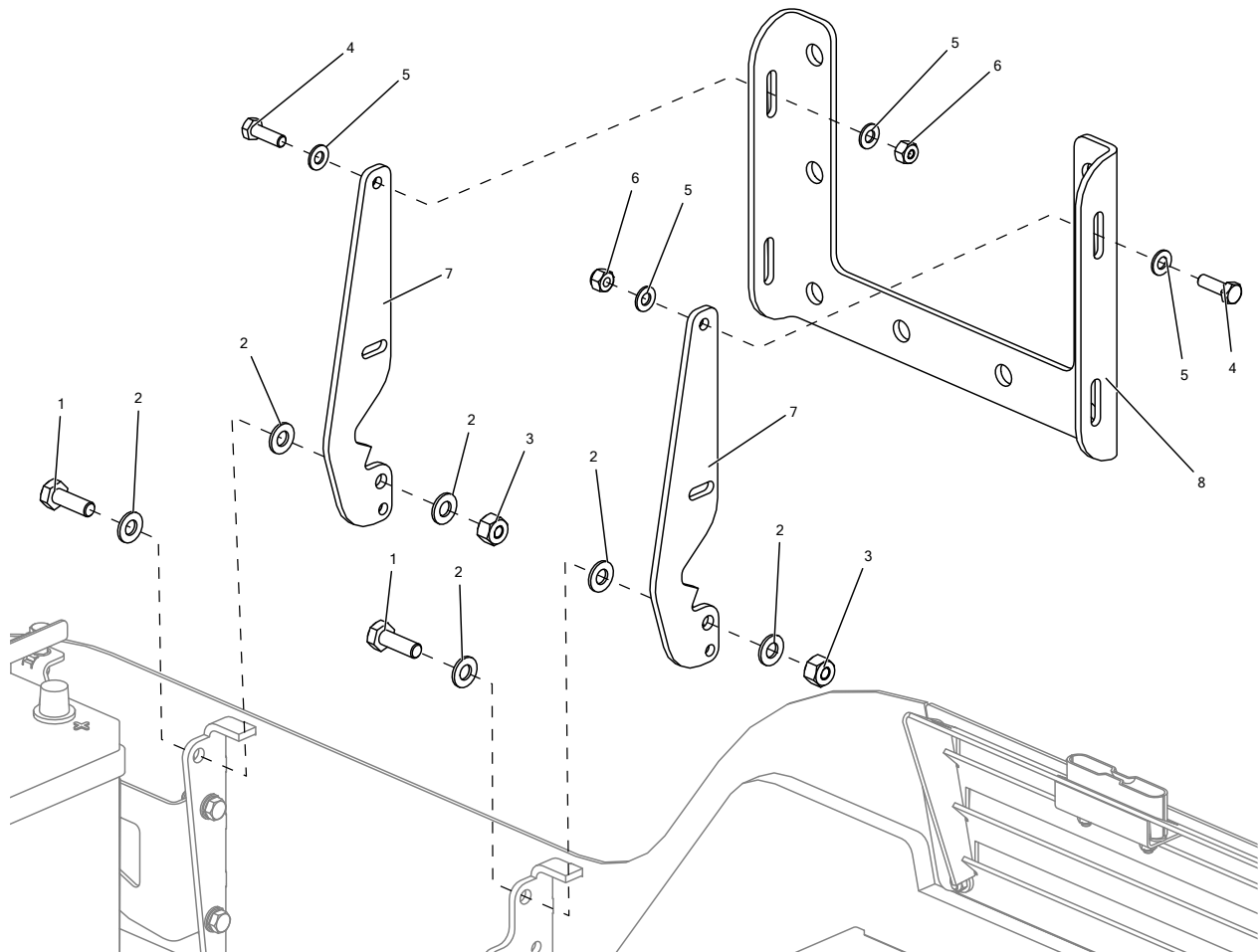


Figure 12: LM1-125-100 BONNET HINGE ASSEMBLY

ITEM	PART NUMBER	QTY	DESCRIPTION	NOTES
1	XS10030Z	2	M10 X 30 HEX HEAD SCREW 8.8	
2	XW10AZ	6	M10 FORM A WASHER	
3	XN10N	2	M10 NYLOC NUT	
4	XS08025Z	4	M8 X 25 HEX HEAD SCREW 8.8	
5	XW08AZ	8	M8 FORM A WASHER	
6	XN08N	4	M8 NYLOC NUT	
7	LM1-125-20	2	BONNET HINGE ADJUSTABLE	
8	LM1-125-15	1	BONNET HINGE	

Table 9: LM1-125-100 BONNET HINGE ASSEMBLY – BOM

## CHAPTER1.10: BONNET LATCH

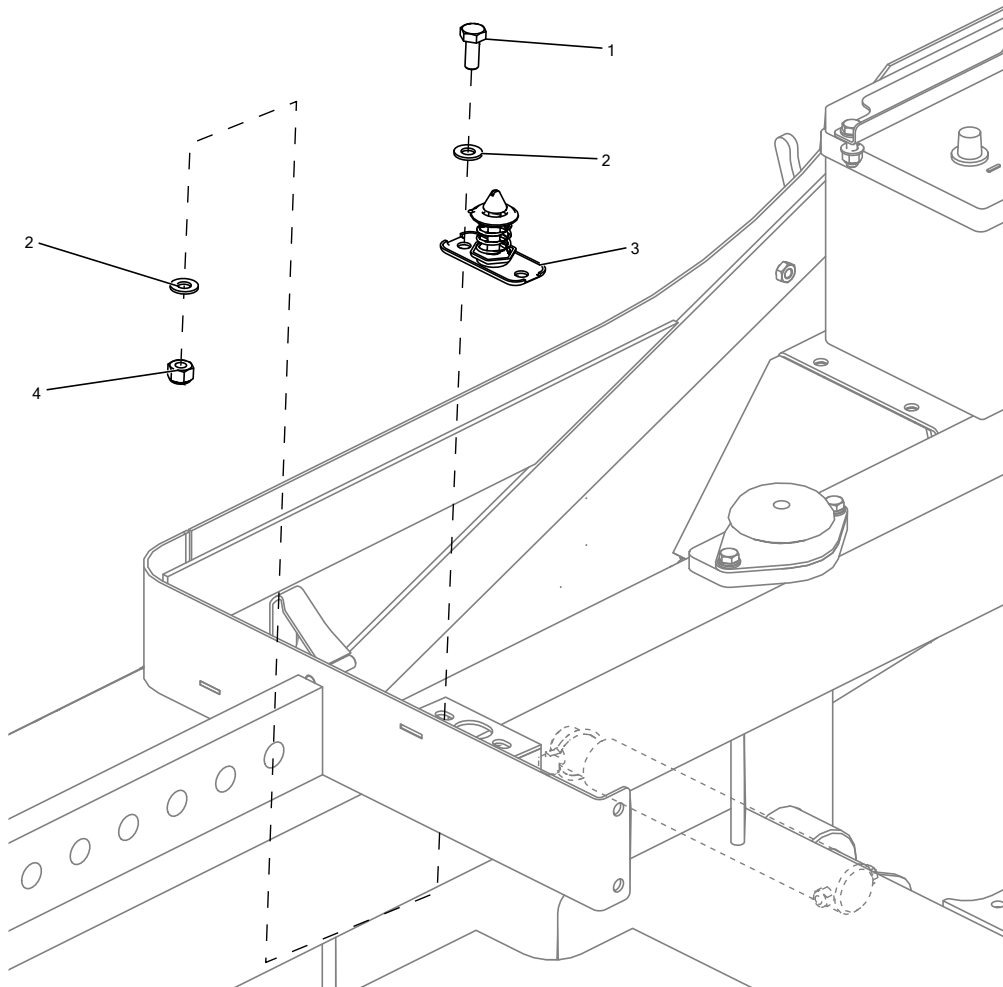


Figure 13: LM1-100-610 BONNET LATCH

ITEM	PART NUMBER	QTY	DESCRIPTION	NOTES
1	XS10025ZFINE	2	M10 X 25 HEX HEAD SCREW 8.8 FINE	
2	XW10AZ	4	M10 FORM A WASHER	
3	YLATCH61	1	BONNET LOCK, UPPER PART (UPSIDE DOWN)	
4	XN10N	2	M10 NYLOC NUT	

Table 10: LM1-100-610 BONNET LATCH - BOM

## CHAPTER1.11: BATTERY

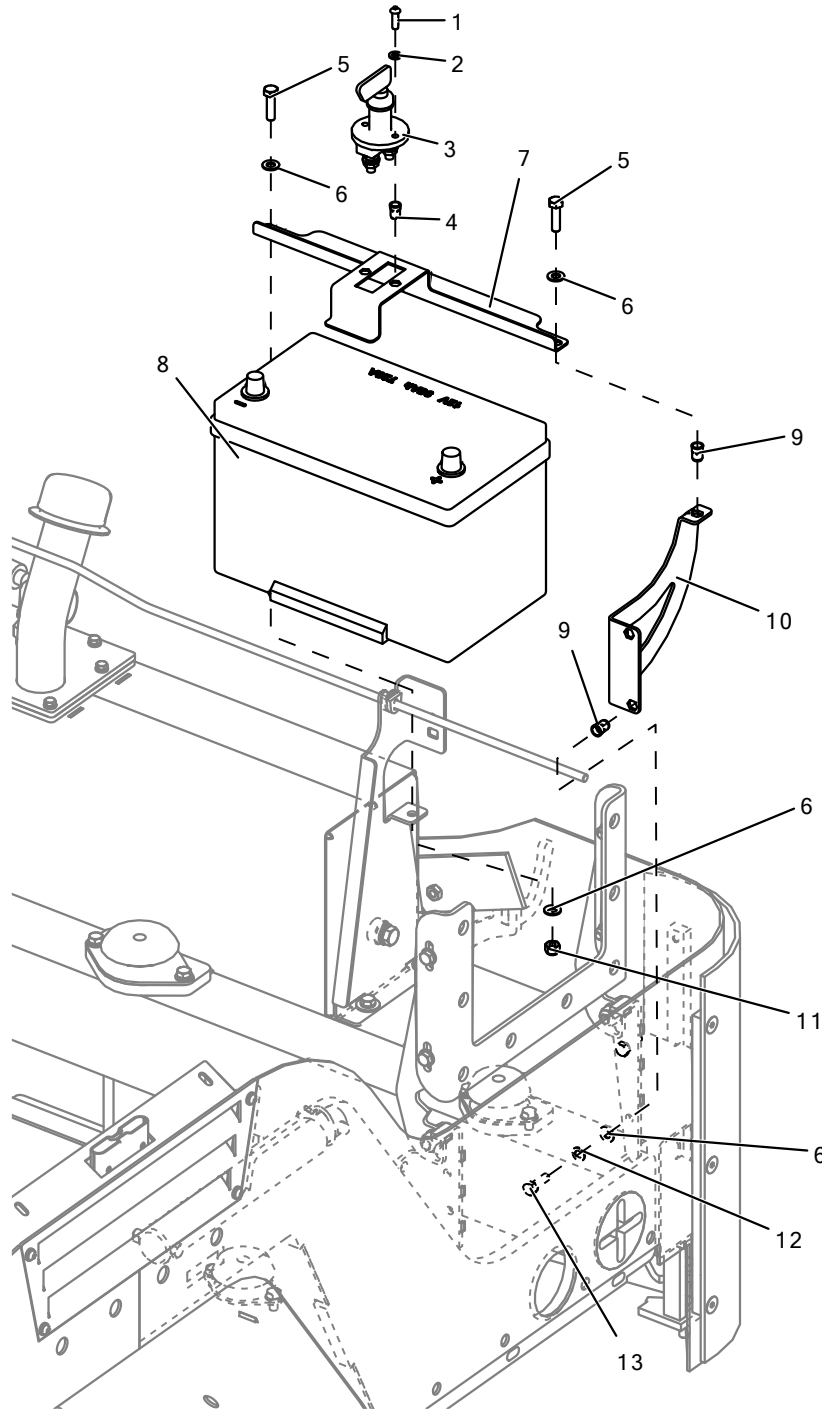


Figure 14: LM1-870-10 BATTERY AND MOUNTING ASSEMBLY

ITEM	PART NUMBER	QTY	DESCRIPTION	NOTES
1	XBUT06020SKTZB	2	M6 X 20 BUTTON HEAD SCREW 8.8	
2	XW06AZ	2	M6 FORM A WASHER	
3	YISO1	1	BATTERY ISOLATOR SWITCH	
4	XNS06H	2	M6 HEX NUTSERT	
5	XS08030Z	2	M8 X 30 HEX HEAD SCREW 8.8	
6	XW08AZ	5	M8 FORM A WASHER	
7	LM1-710-44	1	BATTERY CLAMP AND ISOLATOR MOUNT	
8	YBATTERY1	1	BATTERY	
9	XNS08H	3	M8 HEX NUTSERT	
10	LM1-710-43	1	BATTERY CLAMP BRACKET	
11	XN08N	1	M8 NYLOC NUT	
12	XW08SZ	2	M8 SPRING WASHER	
13	XS08025Z	2	M8 X 25 HEX HEAD SCREW 8.8	

Table 11: LM1-870-10 BATTERY AND MOUNTING ASSEMBLY – BOM

## CHAPTER1.12: ENGINE MOUNTS

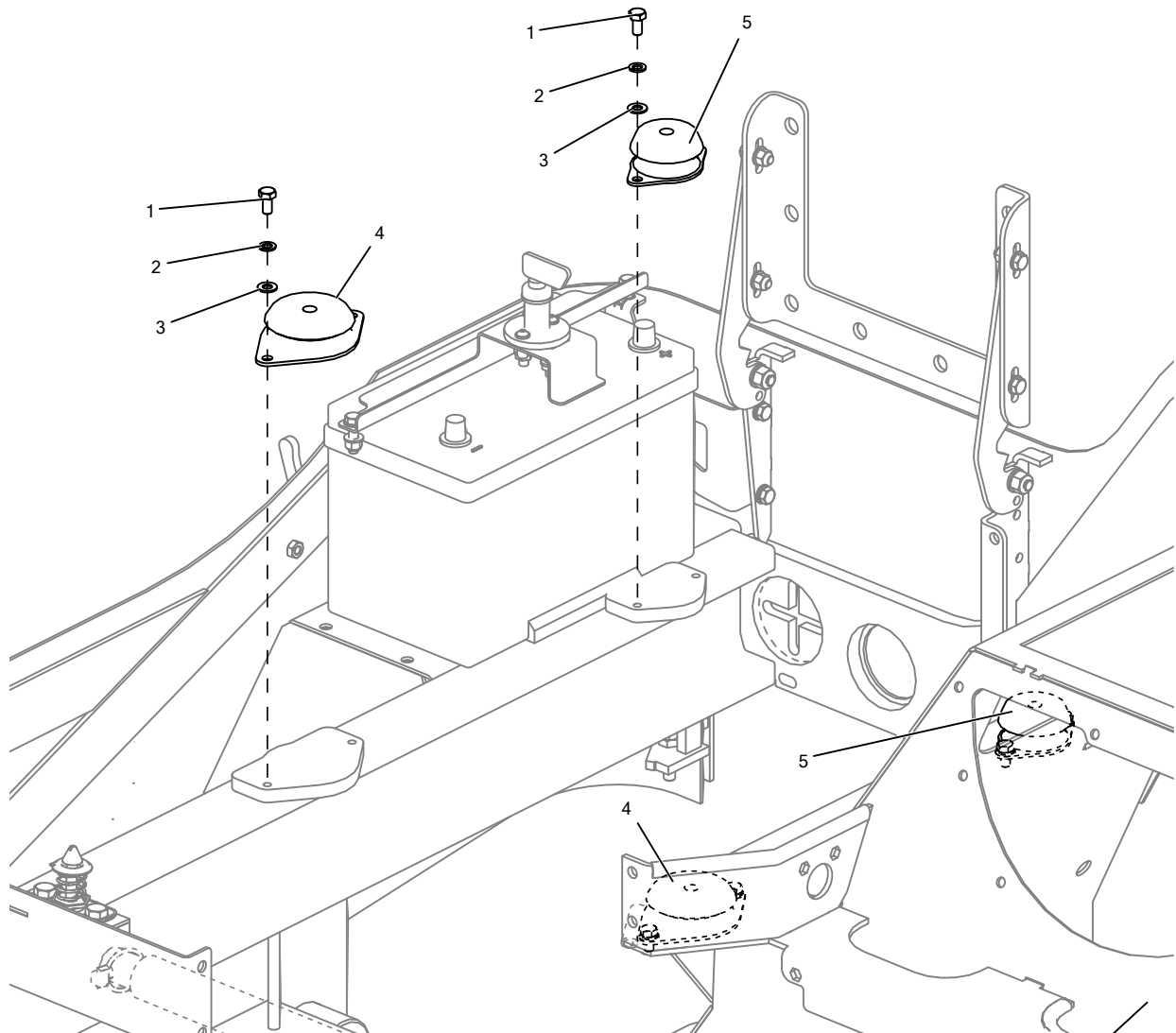


Figure 15: YMOUNT5 AND 6 ENGINE MOUNTS

ITEM	PART NUMBER	QTY	DESCRIPTION	NOTES
1	XS08016Z	8	M8 X 16 HEX HEAD SCREW 8.8	
2	XW08SZ	8	M8 SPRING WASHER	
3	XW08AZ	8	M8 FORM A WASHER	
4	YMOUNT5	2	RUBBER ENGINE MOUNT	
5	YMOUNT6	2	RUBBER ENGINE MOUNT	

Table 12: YMOUNT5 AND 6 ENGINE MOUNTS - BOM

## CHAPTER1.13: SUZI SOCKET

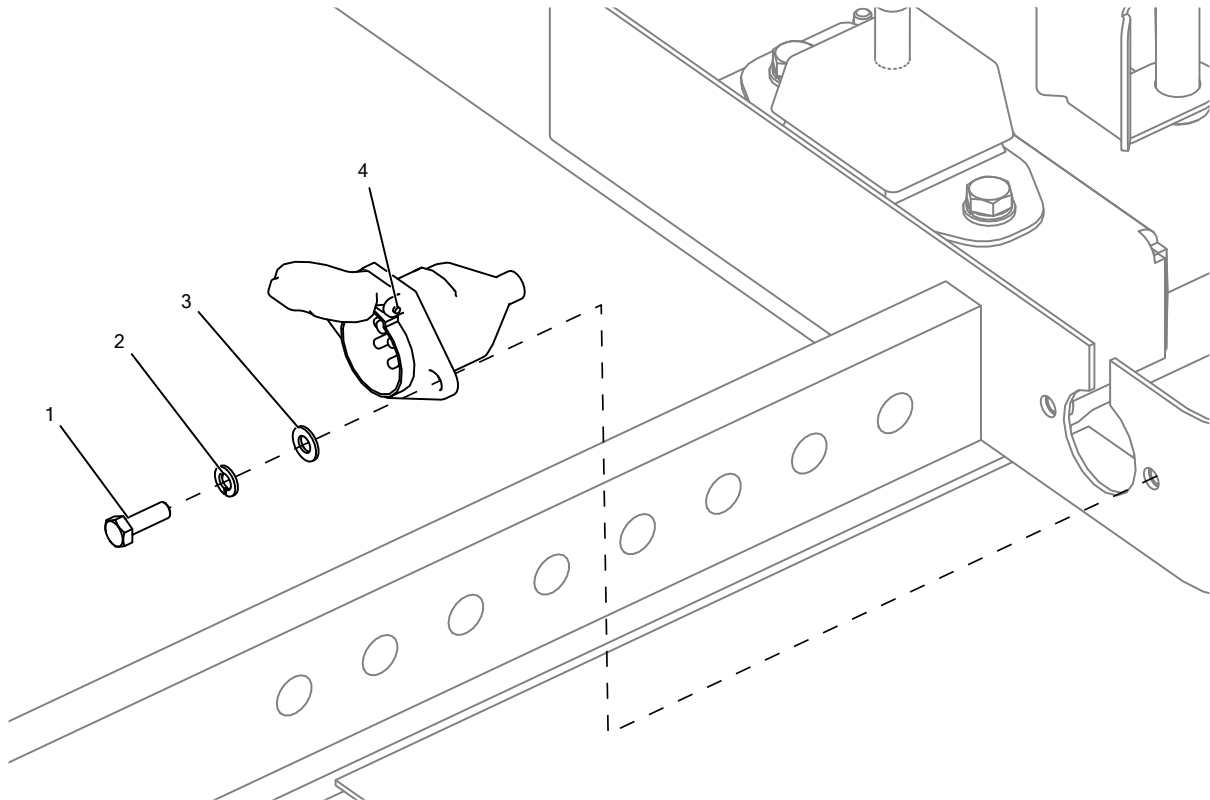


Figure 16: LM1-800-10 SUZI SOCKET

ITEM	PART NUMBER	QTY	DESCRIPTION	NOTES
1	XS08025Z	2	M8 X 25 HEX HEAD SCREW 8.8	
2	XW08SZ	2	M8 SPRING WASHER	
3	XW08AZ	2	M8 FORM A WASHER	
4	YSUZI1	1	SUZI SOCKET – 7-SOCKET	

Table 13: LM1-800-10 SUZI SOCKET - BOM

## CHAPTER1.14: BEEPER, HORN AND VALANCE POSITIONS – STANDARD MASTS

(NOT FOR CAM MASTS)

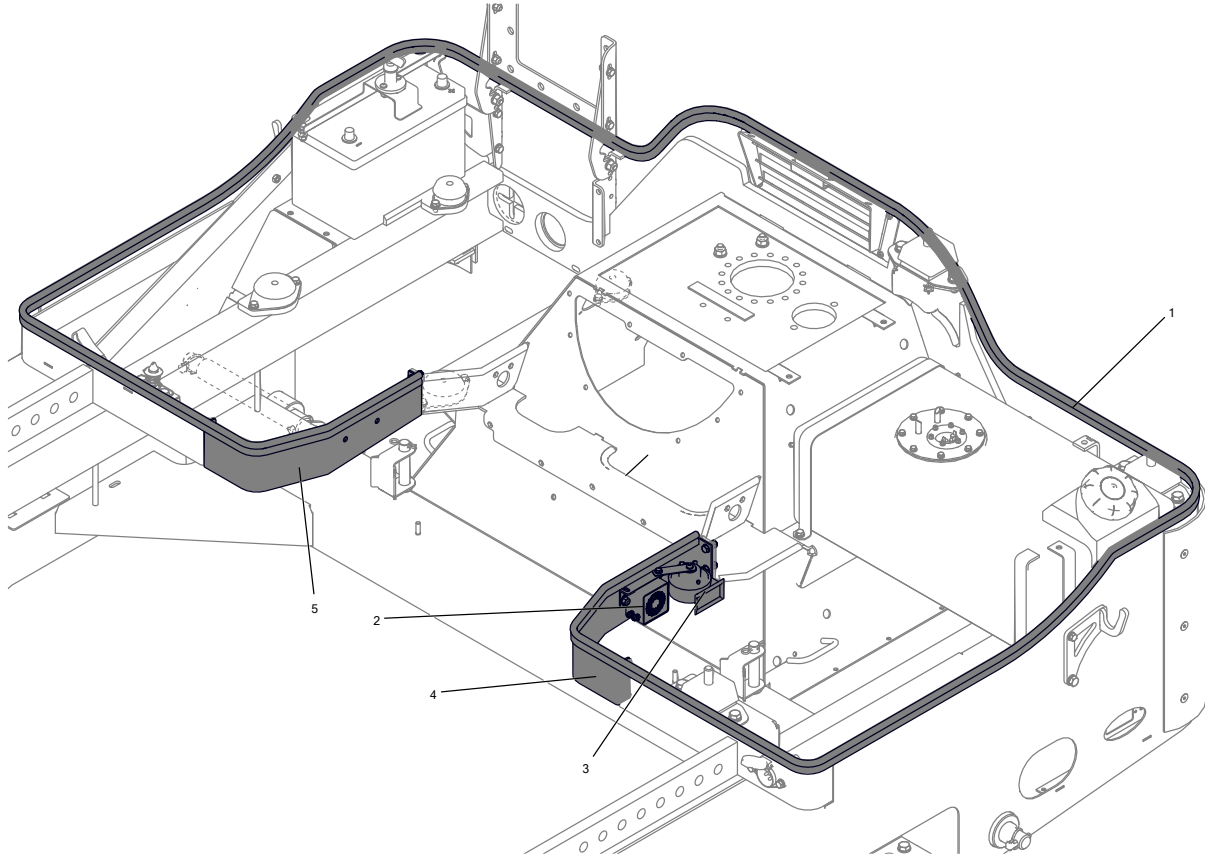


Figure 17: CHASSIS WITH BEEPER HORN AND VALANCE – STANDARD MASTS

ITEM	PART NUMBER	QTY	DESCRIPTION	NOTES
1	LM1-154-01	1	7601501, 6423mm LONG - CHASSIS SEAL STANDARD	
2	YBEEP1	1	REVERSE BEEPER 12-24V	
3	YHORN1	1	HORN 12V HIGH TONE 110dB	
4	LM1-100-72	1	VALANCE - STANDARD MAST LH	
5	LM1-100-73	1	VALANCE - STANDARD MAST RH	

Table 14: CHASSIS WITH BEEPER HORN AND VALANCE – STANDARD MASTS - BOM



## CHAPTER1.15: BEEPER AND HORN ASSEMBLY – STANDARD MASTS

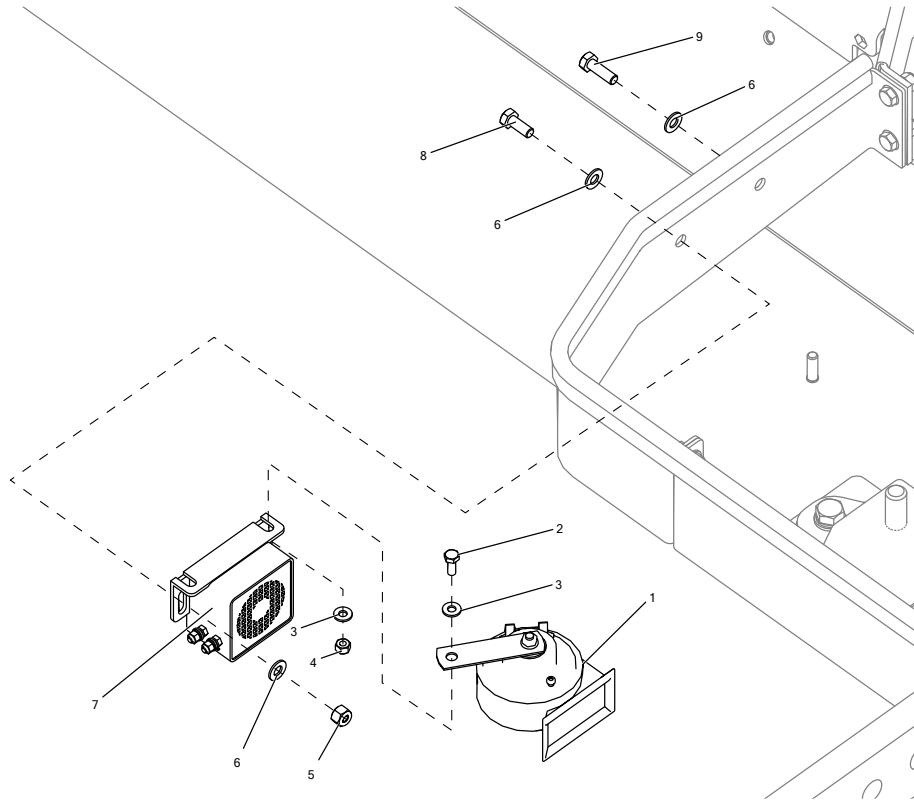


Figure 18: BEEPER AND HORN

ITEM	PART NUMBER	QTY	DESCRIPTION	NOTES
1	YHORN1	1	TRUMPET HORN 12V HIGH TONE 110dB	
2	XS06016Z	1	M6 X 16 HEX HEAD SCREW 8.8	
3	XW06CZ	2	M6 FORM C WASHER ZINC PLATED	
4	XN06N	1	M6 NYLOC NUT	
5	XN08N	2	M8 NYLOC NUT	
6	XW08AZ	4	M8 FORM A WASHER	
7	YBEEP1	1	REVERSE BEEPER 12-24V	
8	XS08020Z	1	M8 X 20 HEX HEAD SCREW 8.8	
9	XS08025Z	1	M8 X 25 HEX HEAD SCREW 8.8	

Table 15: BEEPER AND HORN - BOM

## CHAPTER1.16: VALANCES – STANDARD MAST

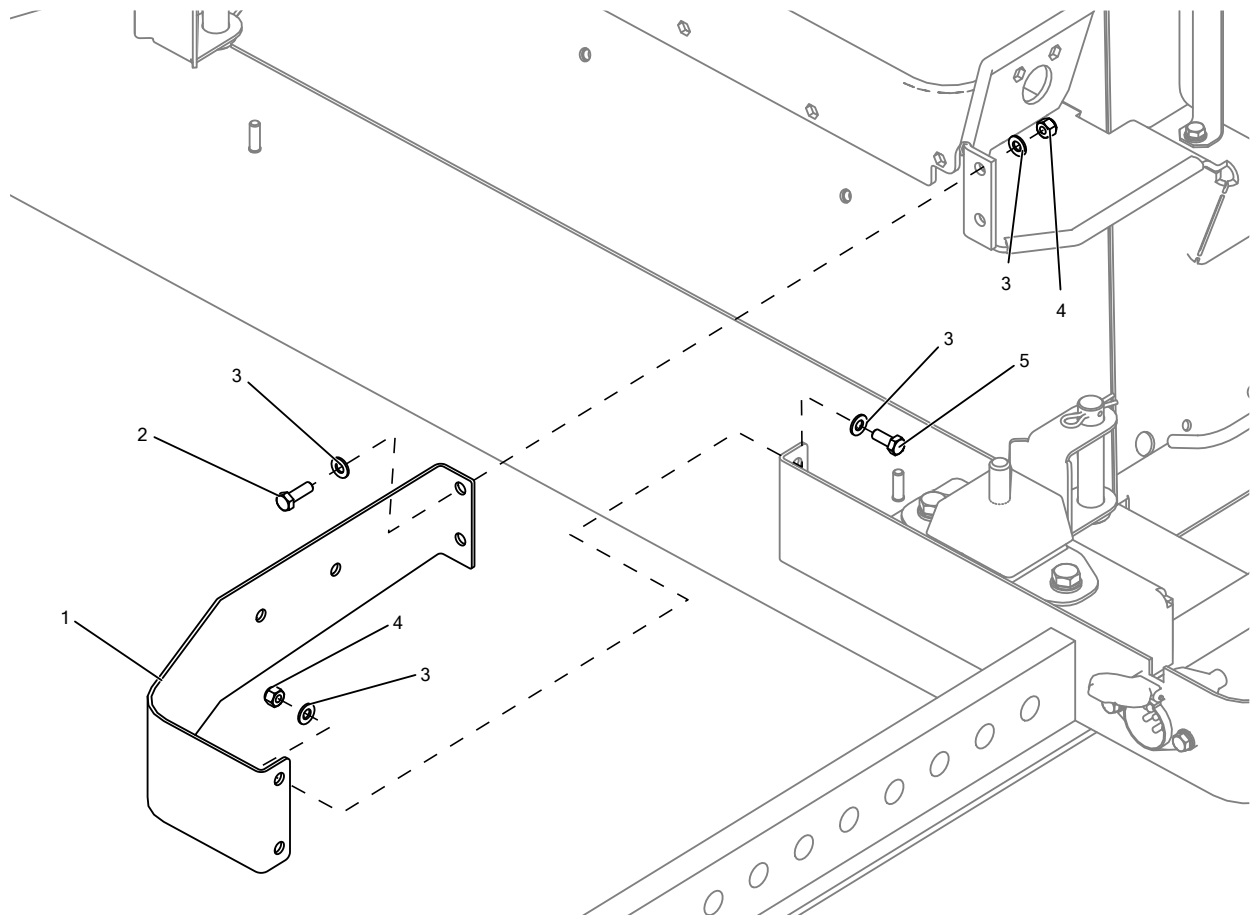


Figure 19: LM1-100-72 LH VALANCE

ITEM	PART NUMBER	QTY	DESCRIPTION	NOTES
1	LM1-100-72	1	LH VALANCE - STANDARD MAST	
2	XS08025Z	2	M8 X 25 HEX HEAD SCREW 8.8	
3	XW08AZ	8	M8 FORM A WASHER	
4	XN08N	4	M8 NYLOC NUT	
5	XS08020Z	2	M8 X 20 HEX HEAD SCREW 8.8	

Table 16: LM1-100-72 LH VALANCE - BOM

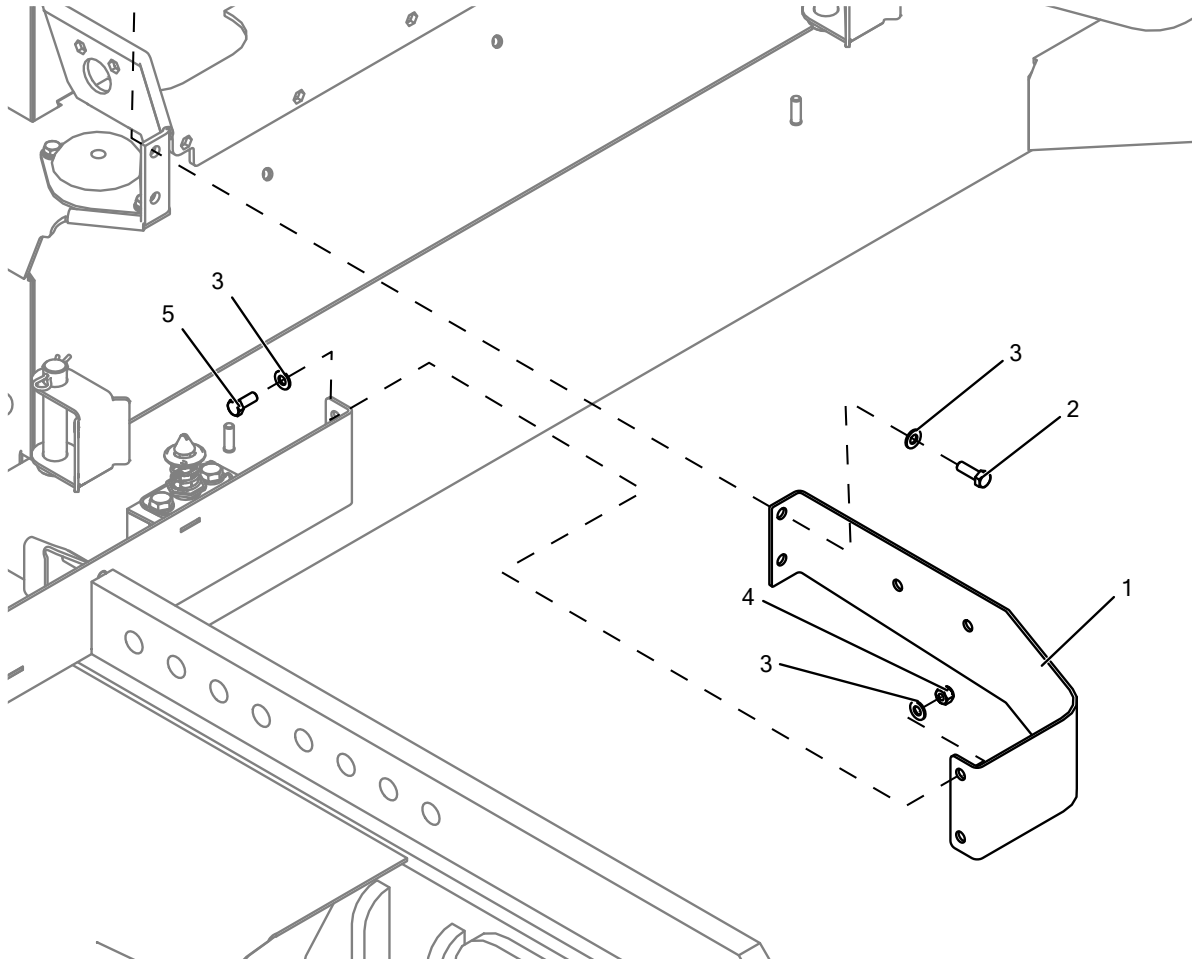


Figure 20: LM1-100-73 RH VALANCE

ITEM	PART NUMBER	QTY	DESCRIPTION	NOTES
1	LM1-100-73	1	RH VALANCE - STANDARD MAST	
2	XS08025Z	2	M8 X 25 HEX HEAD SCREW 8.8	
3	XW08AZ	8	M8 FORM A WASHER	
4	XN08N	4	M8 NYLOC NUT	
5	XS08020Z	2	M8 X 20 HEX HEAD SCREW 8.8	

Table 17: LM1-100-73 RH VALANCE - BOM

## CHAPTER1.17: BEEPER, HORN AND VALANCE POSITIONS – CAM MASTS

ONLY FOR VEHICLES WITH CAM MASTS INSTALLED (VALANCES ARE DIFFERENT TO ALLOW ROOM FOR CAM MAST STRUCTURE, WHICH CHANGES BEEPER AND HORN POSITIONS). SEE BELOW

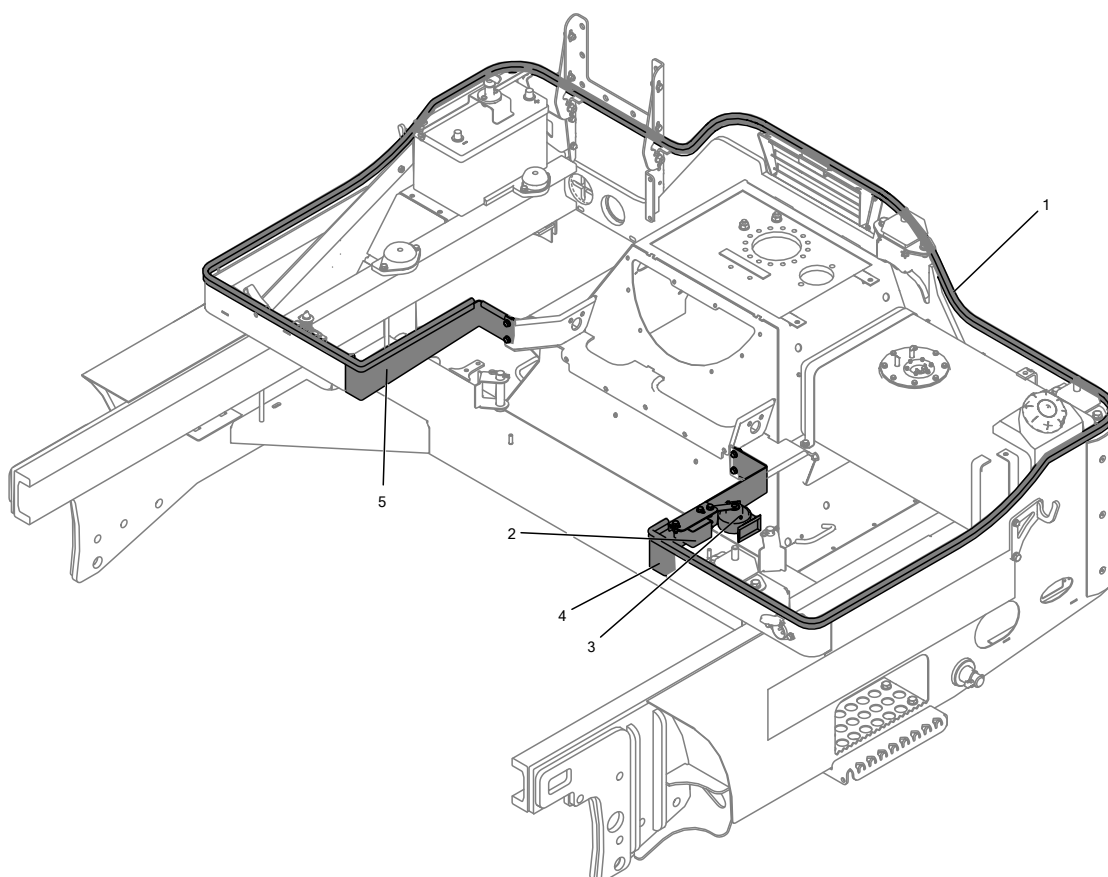


Figure 21: LM1-160-300 CHASSIS WITH BEEPER HORN AND VALANCE – CAM MASTS

ITEM	PART NUMBER	QTY	DESCRIPTION	NOTES
1	LM1-154-06	1	7601501, 5718mm long - CHASSIS SEAL CAM	
2	YBEEP1	1	REVERSE BEEPER 12-24V	
3	YHORN1	1	TRUMPET HORN 12V HIGH TONE 110dB	
4	LM1-100-70	1	LH VALANCE - TILTING MAST	
5	LM1-100-71	1	RH VALANCE - TILTING MAST	

Table 18: LM1-160-300 CHASSIS WITH BEEPER HORN AND VALANCE – CAM MASTS - BOM

## CHAPTER1.18: BEEPER AND HORN ASSEMBLY – CAM MASTS

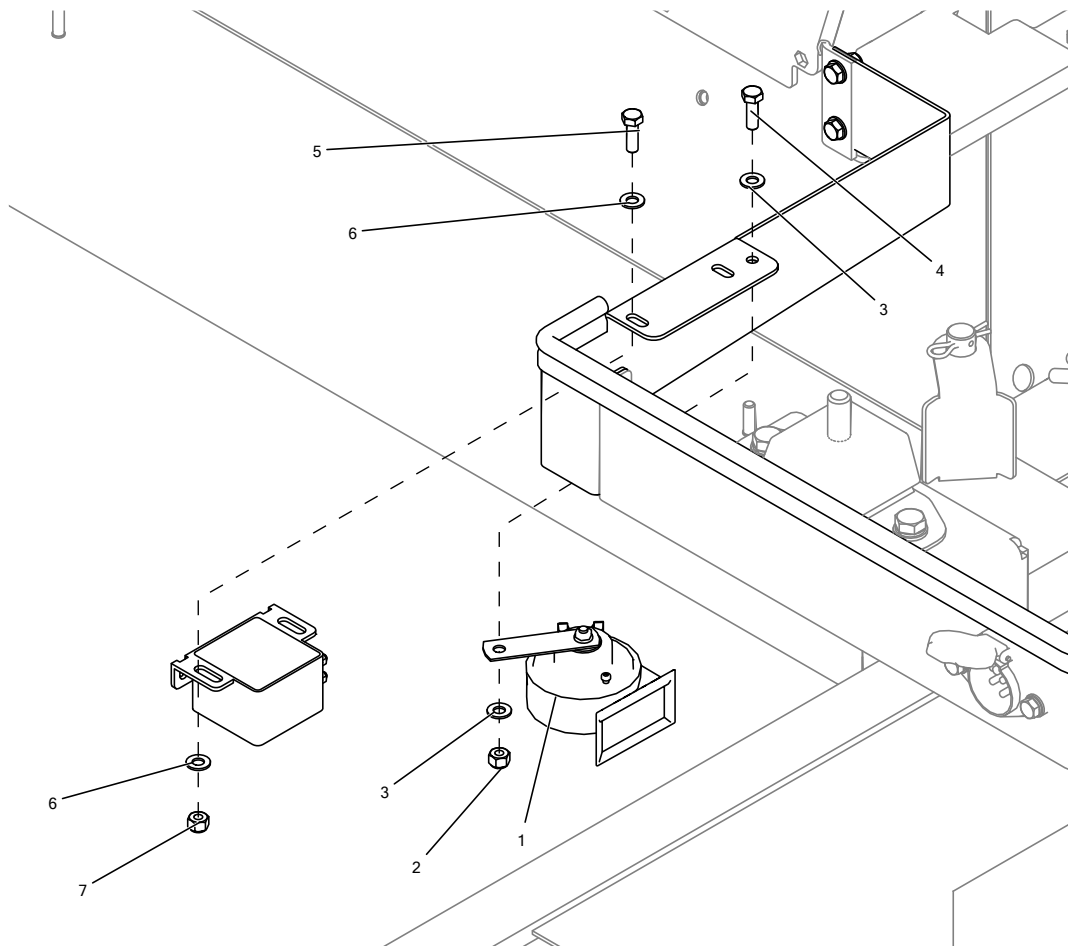


Figure 22: BEEPER AND HORN ASSEMBLY - CAM MASTS

ITEM	PART NUMBER	QTY	DESCRIPTION	NOTES
1	YHORN1	1	TRUMPET HORN 12V HIGH TONE 110dB	
2	XN06N	1	M6 NYLOC NUT	
3	XW06AZ	2	M6 FORM A WASHER	
4	XS06016Z	1	M6 X 16 HEX HEAD SCREW 8.8	
5	XS08025Z	2	M8 X 25 HEX HEAD SCREW 8.8	
6	XW08AZ	4	M8 FORM A WASHER	
7	XN08N	2	M8 NYLOC NUT	

Table 19: BEEPER AND HORN ASSEMBLY - CAM MASTS - BOM

## CHAPTER1.19: VALANCES – CAM MAST

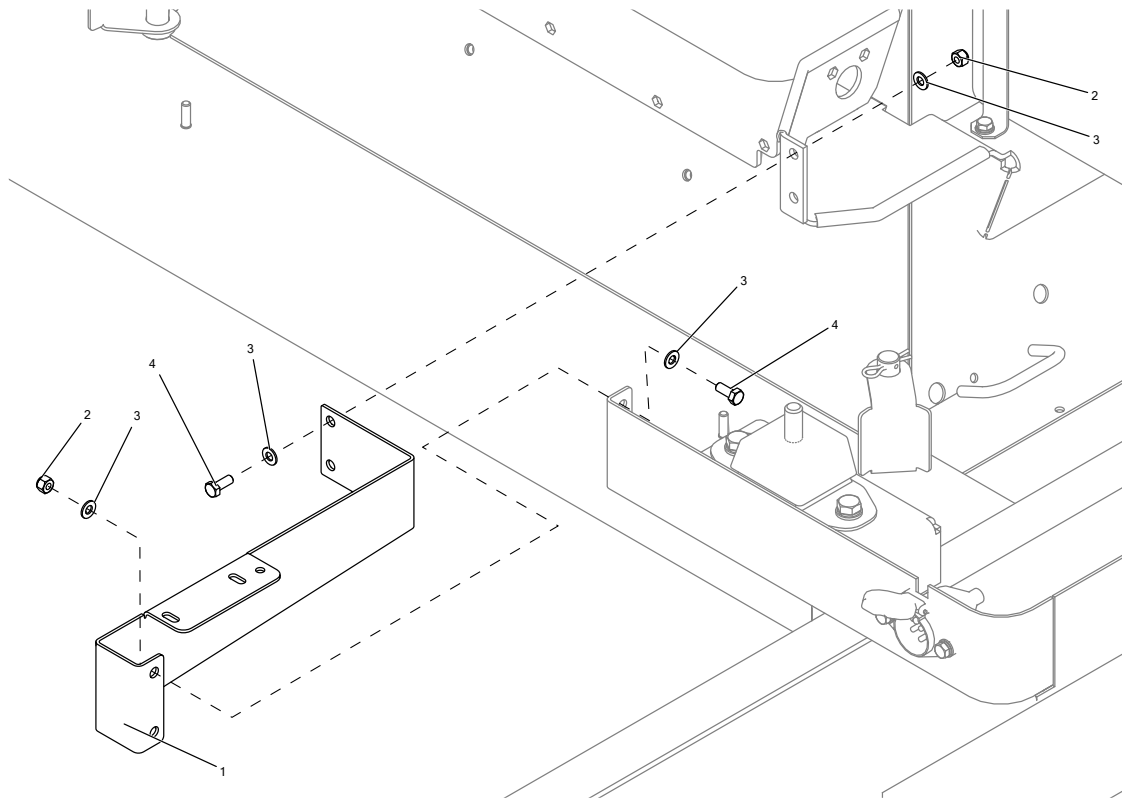


Figure 23: LM1-100-70 LH VALANCE – CAM MAST

ITEM	PART NUMBER	QTY	DESCRIPTION	NOTES
1	LM1-100-70	1	LH VALANCE - TILTING MAST	
2	XN08N	4	M8 NYLOC NUT	
3	XW08AZ	8	M8 FORM A WASHER	
4	XS08020Z	4	M8 X 20 HEX HEAD SCREW 8.8	

Table 20: LM1-100-70 LH VALANCE – CAM MAST - BOM

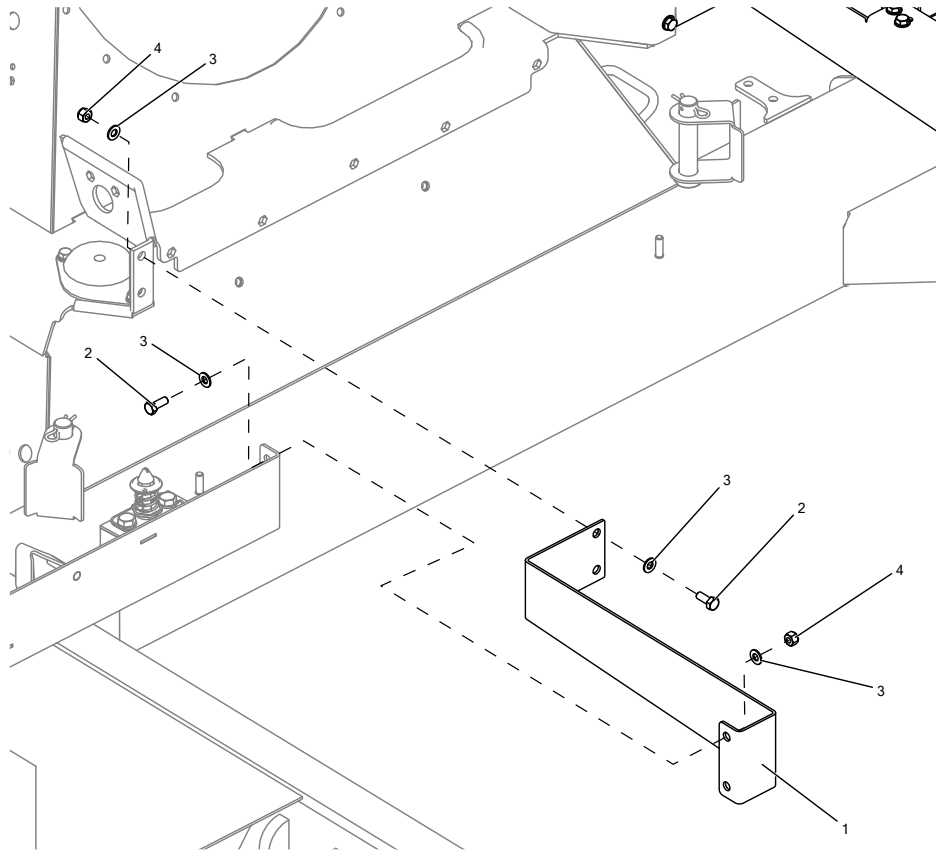


Figure 24: LM1-100-71 RH VALANCE - CAM MASTS

ITEM	PART NUMBER	QTY	DESCRIPTION	NOTES
1	LM1-100-71	1	RH VALANCE - TILTING MAST	
2	XS08020Z	4	M8 X 20 HEX HEAD SCREW 8.8	
3	XW08AZ	8	M8 FORM A WASHER	
4	XN08N	4	M8 NYLOC NUT	

Table 21: LM1-100-71 RH VALANCE - CAM MASTS - BOM

## CHAPTER1.20: BASH PLATES

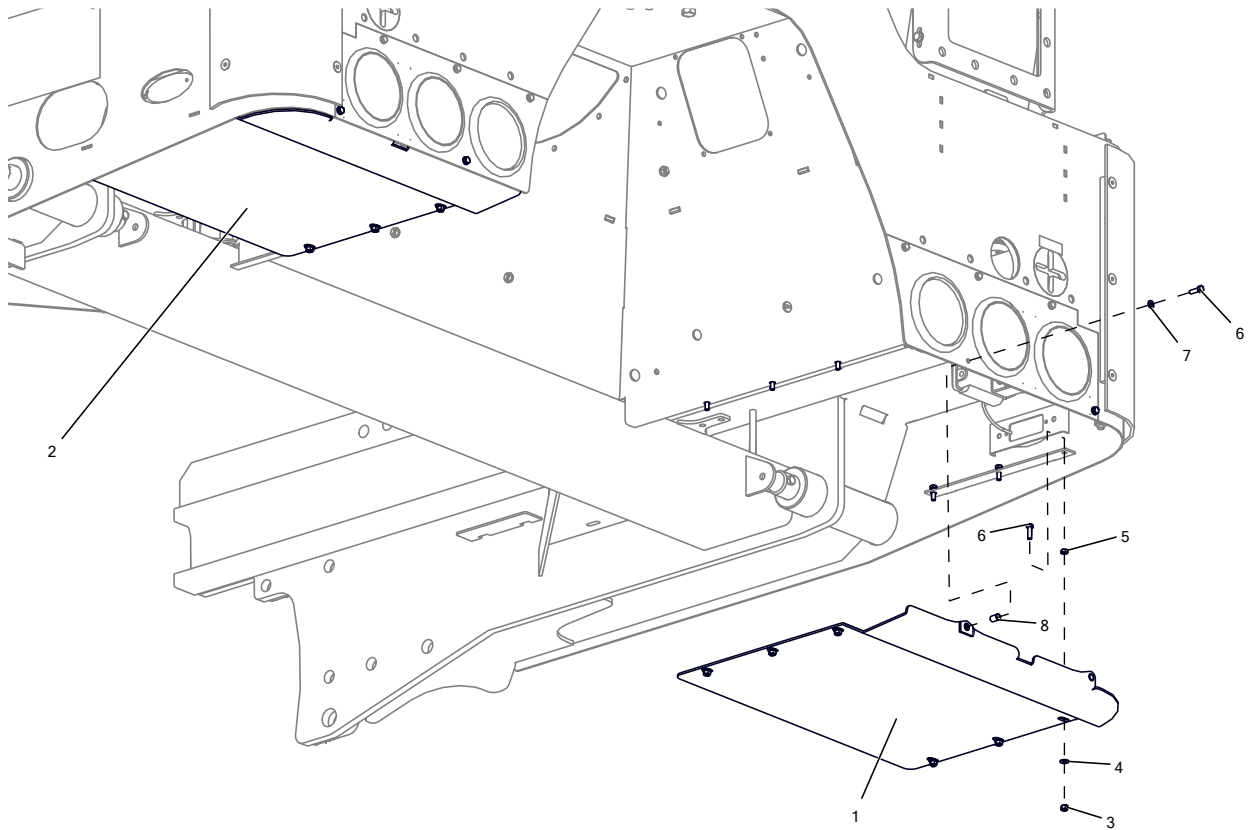


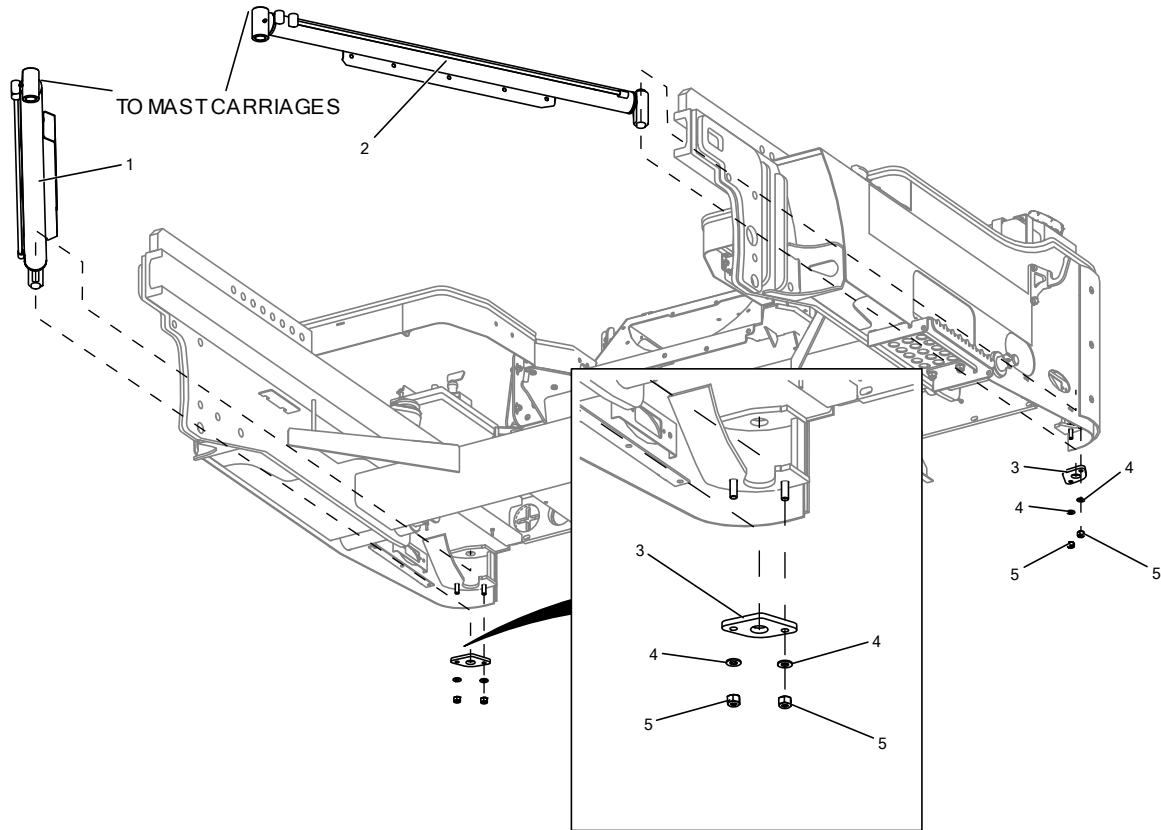
Figure 25: LM1-100-55/56 BASH PLATES

ITEM	PART NUMBER	QTY	DESCRIPTION	NOTES
1	LM1-100-56	1	RHS BASH PLATE ASSEMBLY	
2	LM1-100-55	1	LHS BASH PLATE ASSEMBLY	
3	XN06N	12	M6 NYLOC NUT	
4	XW06CZ	12	M6 FORM C WASHER ZINC PLATED	
5	XN06	12	M6 FULL NUT	
6	XS06020Z	24	M6 X 20 HEX HEAD SCREW 8.8	
7	XW06AZ	4	M6 FORM A WASHER	
8	XNS06	4	M6 NUTSERT	

Table 22: LM1-100-55/56 BASH PLATES BOM



## CHAPTER1.21: CHASSIS TO MAST CARRIAGE CYLINDERS



NOTE: ORIENTATION OF CYLINDERS FOR STANARD MASTS AS SHOWN ABOVE. FOR CAM MASTS – CYLINDERS ARE SWAPPED OVER (GUIDE CHANNEL STILL ON INSIDE AND MOVING ENDS ATTACHED TO CHASSIS)

Figure 26: LM1-100-700 CHASSIS TO MAST CARRIAGE CYLINDERS

ITEM	PART NUMBER	Qty	DESCRIPTION
1	LM1-108-10 <i>LM1-108-11</i>	1	RH EXTENDED CARRIAGE CYLINDER – STANDARD MASTS (AS SHOWN) <i>RH EXTENDED CARRIAGE CYLINDER – CAM MASTS</i>
2	LM1-108-11 <i>LM1-108-10</i>	1	LH EXTENDED CARRIAGE CYLINDER – STANDARD MASTS (AS SHOWN) <i>LH EXTENDED CARRIAGE CYLINDER – CAM MASTS</i>
3	LM1-100-40	2	REACH CYLINDER CAPPER
4	XW10AZ	4	M10 FORM A WASHER
5	XN10N	4	M10 NYLOC NUT

Table 23: LM1-100-700 CHASSIS TO MAST CARRIAGE CYLINDERS BOM

## CHAPTER1.22: HYDRAULIC OIL TANK

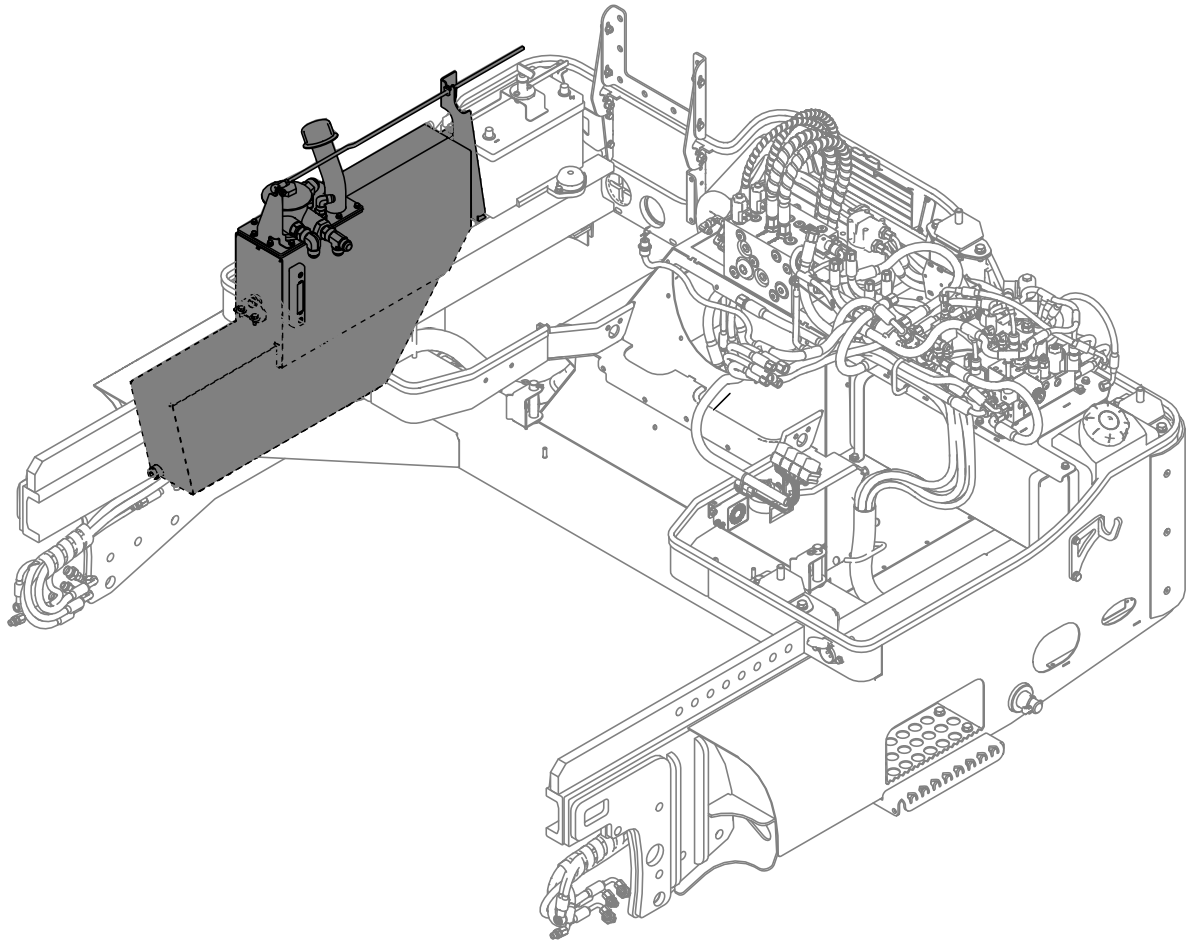


Figure 27: LM1-710-02 HYDRAULIC OIL TANK ASSEMBLY JIC

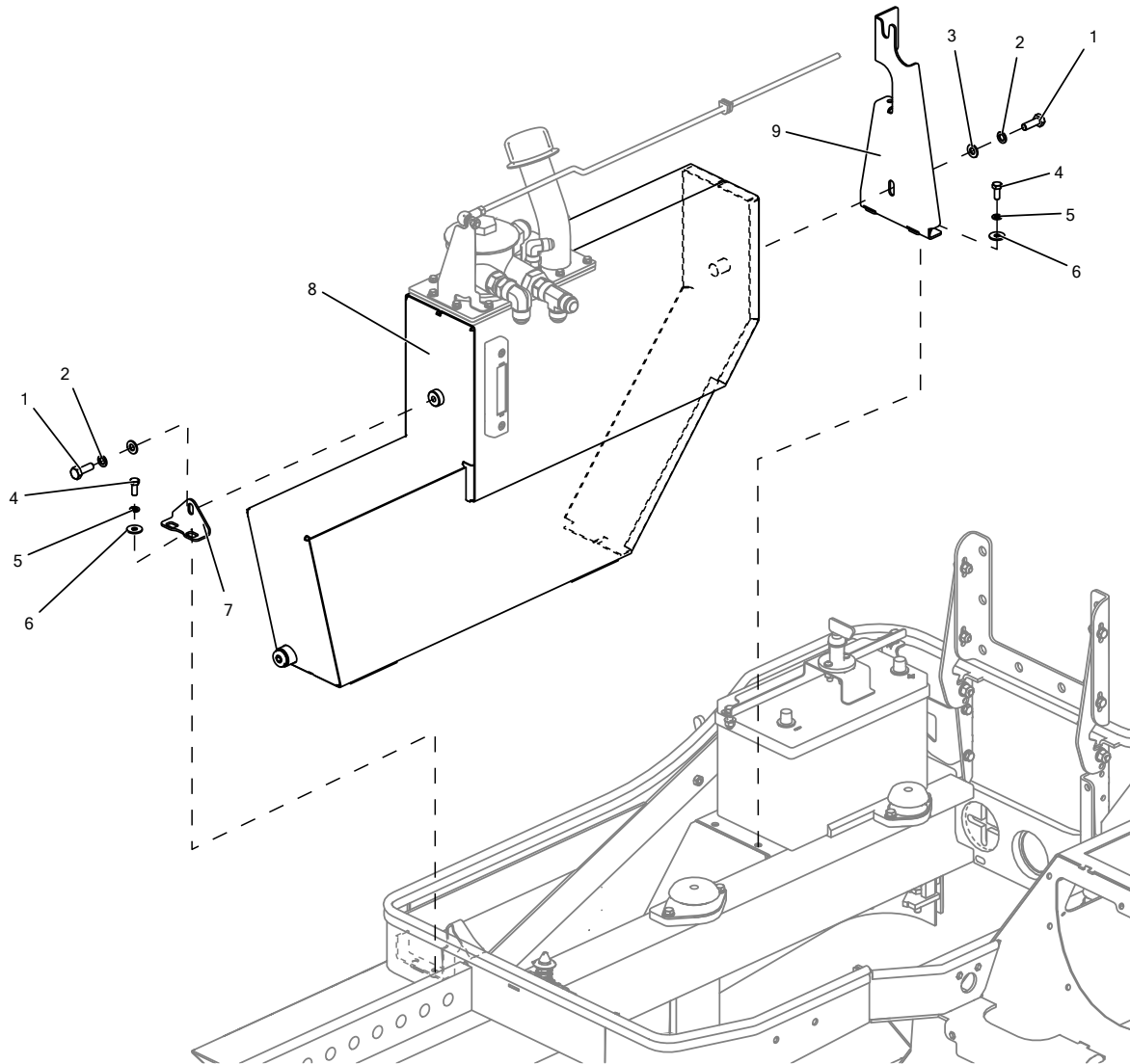


Figure 28: LM1-710-02 HYDRAULIC OIL TANK BOLTING

ITEM	PART NUMBER	QTY	DESCRIPTION	NOTES
1	XS10030Z	2	M10 X 30 HEX HEAD SCREW 8.8	
2	XW10SZr	2	M10 SPRING WASHER	
3	XW10AZ	2	M10 FORM A WASHER	
4	XS08020Z	4	M8 X 20 HEX HEAD SCREW 8.8	
5	XW08SZ	4	M8 SPRING WASHER	
6	XW08GZ	4	M8 FORM G WASHER	
7	LM1-103-55	1	BRACKET – HYDRAULIC TANK – FRONT	
8	LM1-710-10	1	HYDRAULIC OIL TANK W-A	
9	LM1-710-42	1	REAR OIL TANK MOUNT	

Table 24: LM1-710-02 HYDRAULIC OIL TANK BOLTING – BOM

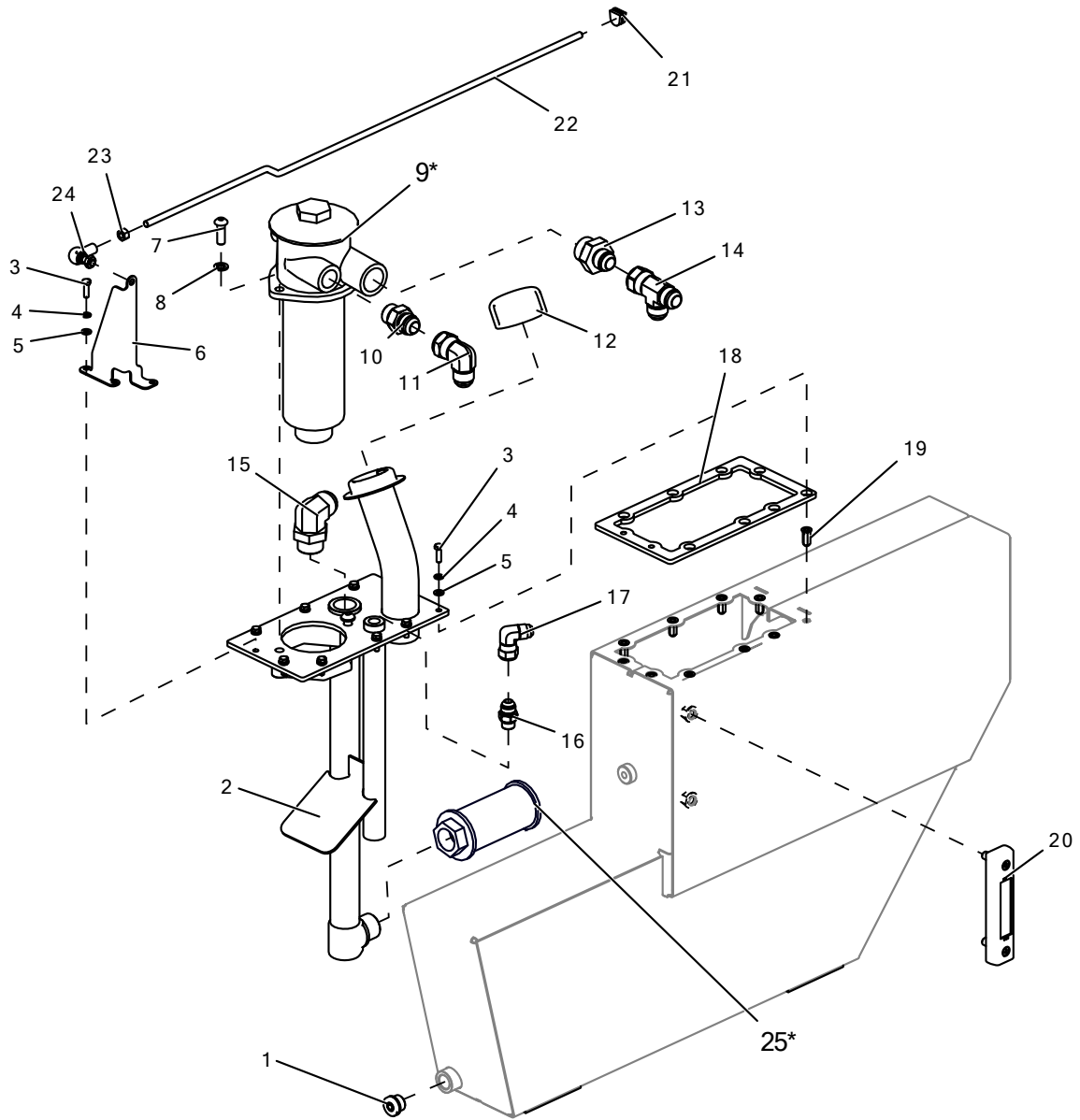


Figure 29: LM1-710-02 HYDRAULIC OIL TANK JIC SUB ASSEMBLIES

ITEM	PART NUMBER	QTY	DESCRIPTION	NOTES
1	YPLUG21	1	TANK DRAIN PLUG	
2	LM1-710-20	1	ACCESSORY MOUNT WELD ASSY	
3	XS06020Z	10	M6 X 20 HEX HEAD SCREW 8.8	
4	XW06SZ	10	M6 SPRING WASHER	
5	XW06AZ	10	M6 FORM A WASHER	
6	LM1-125-26	1	BONNET STAY MOUNT	
7	XBUT10030SKTZB	2	M10 X 30 BUTTON HEAD SCREW 8.8	
8	XW10SZ	2	M10 SPRING WASHER	
9*	YFILTER1	1	HYDRAULIC COMBINATION FILTER ASSEMBLY. *USES YFILTER5 CARTRIDGE	
10	YHA3.4-1.1.16J	1	3/4" BSP M W/ SEAL TO 1 1/16J-10 M	
11	YHA1.1-16JMFE	1	1.1/16" JIC MF ELBOW	
12	HYDRAULIC TANK FILLER CAP	1	FILLER CAP FROM YFILLER1	
13	YHA1-1.1.16J	1	1" BSP TO 1 1/16J MALE MALE ADAPTER	
14	YHT1.1.16JMFM	1	1 1/16J TEE MALE FEMALE SWIVLE MALE ON BRANCH	
15	YHA1-1.5.16JEA	1	1" TO 1 5/16J ADJUSTABLE ELBOW	
16	YHA3.8-3.4J	1	3/8" BSP M W/ INTEGRAL SEAL TO 3/4J-16 M	
17	YHA3.4JMFE	1	3/4J MALE FEMALE SWIVLE ELBOW	
18	LM1-710-26	1	HYDRAULIC TANK GASKET	
19	XNS06HC	10	M6 HEX NUTSERT CLOSED	
20	YLEVGUAGE1	1	HYDRAULIC LEVEL & TEMPERATURE GAUGE	
21	15310.12	1	YBOX2 CLOSED GROMMET	
22	LM1-125-27	1	BONNET STAY	
23	XN08Z	1	M8 HEX NUT	
24	YBALLJOINT2	1	M8 BALLJOINT	
25*	YFILTER8	1	YFILTER8 125µ Suction Strainer	

\*denotes filter element

Table 25: LM1-710-02 HYDRAULIC OIL TANK JIC SUB ASSEMBLIES - BOM

## CHAPTER1.23: CARRIAGE HOSE RETAINER

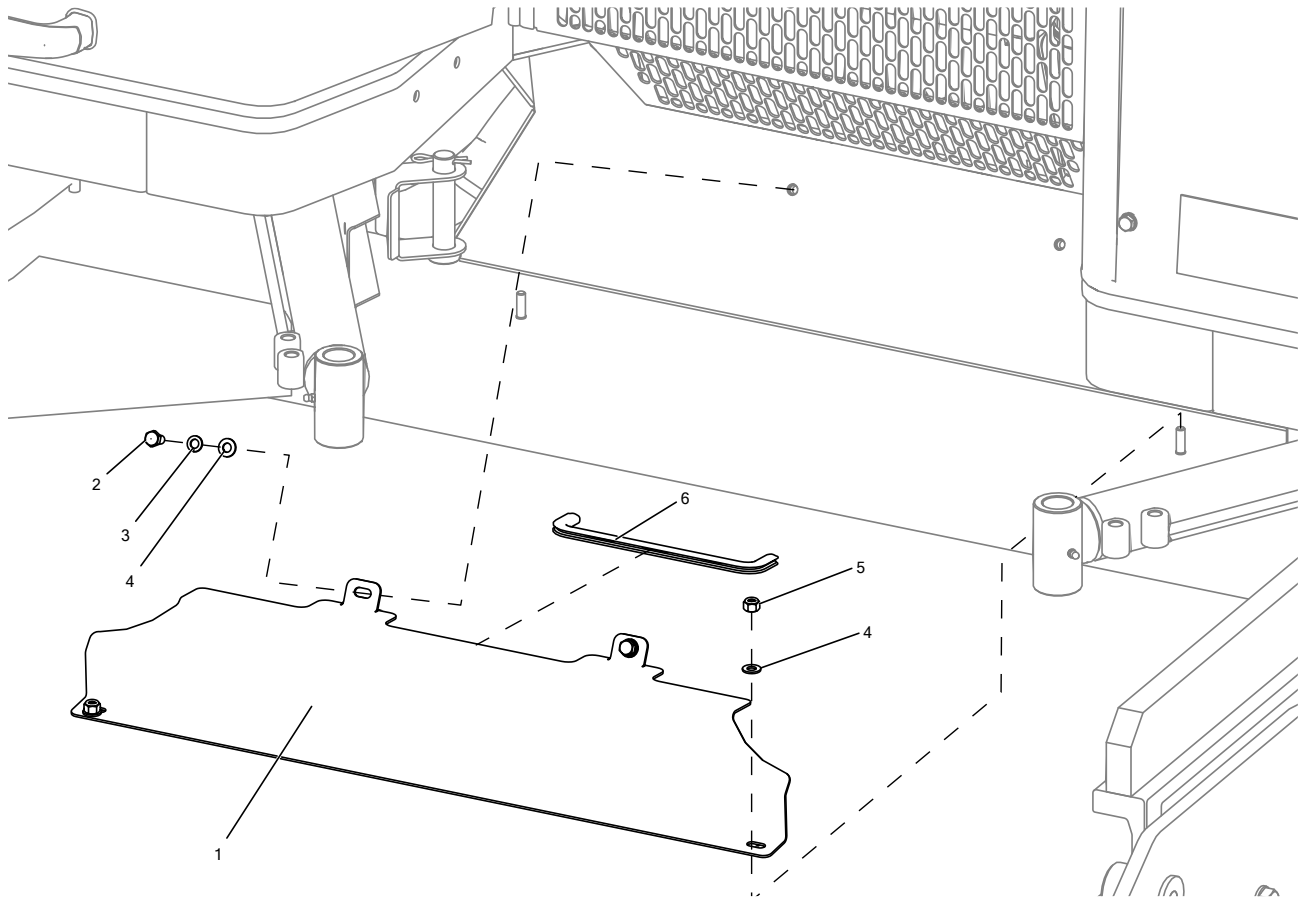


Figure 30: LM1-101-100 CARRIAGE HOSE RETAINER COMPLETE

ITEM	PART NUMBER	QTY	DESCRIPTION	NOTES
1	LM1-101-02	1	CARRIAGE HOSE RETAINER	
2	XS08016Z	2	M8 X 16 HEX HEAD SCREW 8.8	
3	XW08SZ	2	M8 SPRING WASHER	
4	XW08AZ	4	M8 FORM A WASHER	
5	XN08N	2	M8 NYLOC NUT	
6	LM1-154-16	1	YSEALSTRIP30 195MM LONG	

Table 26: LM1-101-100 CARRIAGE HOSE RETAINER COMPLETE BOM

**INTENTIONALLY LEFT BLANK**

## CHAPTER1.24: HYDRAULIC AUXILIARY PLATE ASSEMBLY

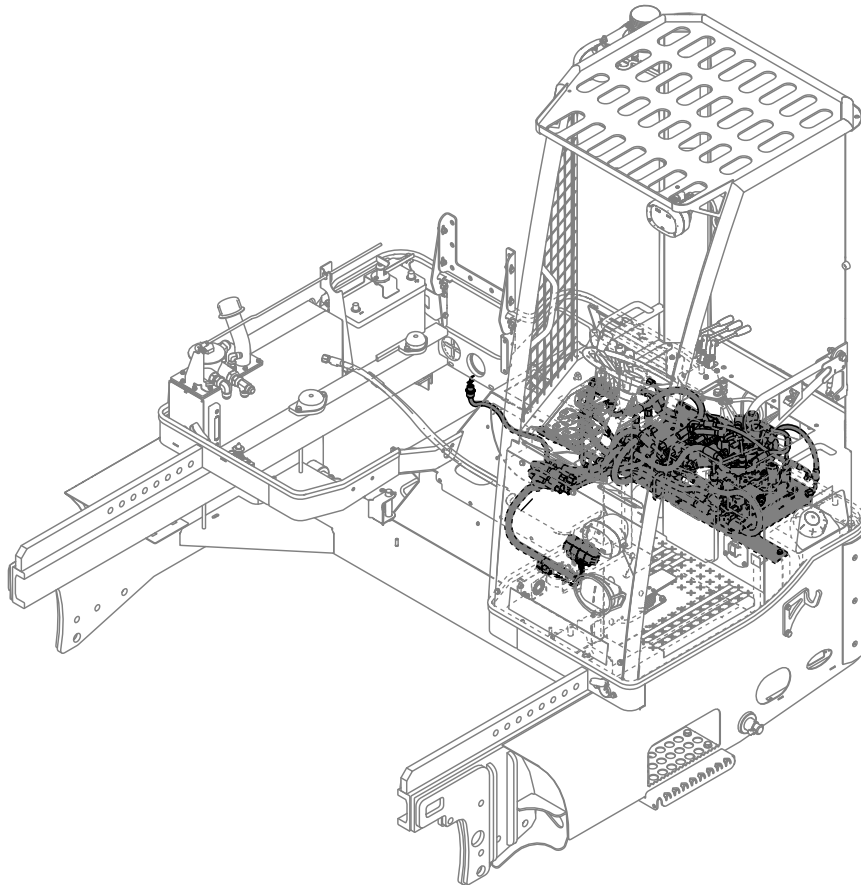


Figure 31: LM1-721-00 HYDRAULIC AUXILIARY PLATE ASSEMBLY MASTER



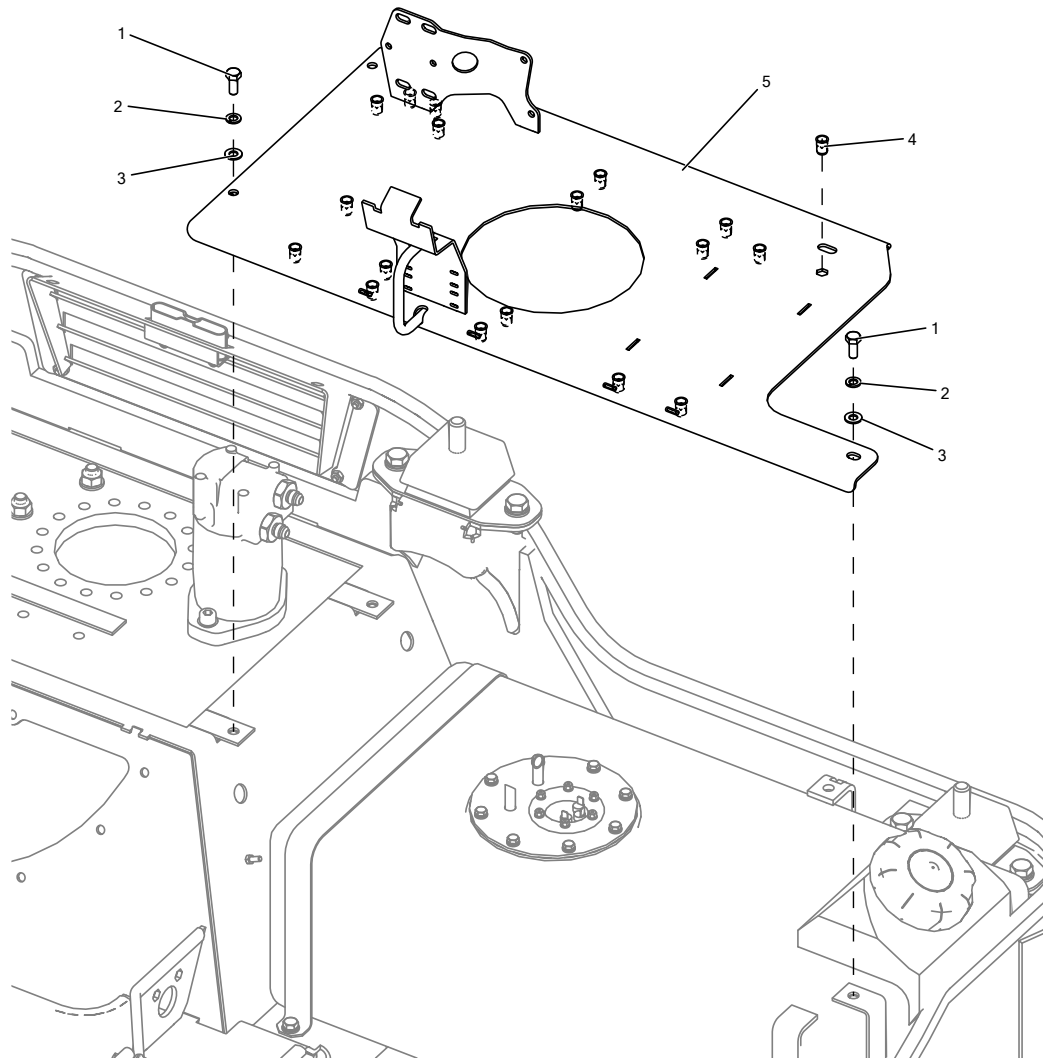


Figure 32: LM1-100-90 AUXILIARY PLATE STANDARD

ITEM	PART NUMBER	QTY	DESCRIPTION	NOTES
1	XS08020Z	4	M8 X 20 HEX HEAD SCREW 8.8	
2	XW08SZ	4	M8 SPRING WASHER	
3	XW08AZ	4	M8 FORM A WASHER	
4	XNS08H	17	M8 HEX NUTSERT	
5	LM1-100-90	1	VALVE MOUNT WELD ASSY	

Table 27: LM1-100-90 AUXILIARY PLATE STANDARD – BOM

## CHAPTER1.25: STEERING PRIORITY VALVE

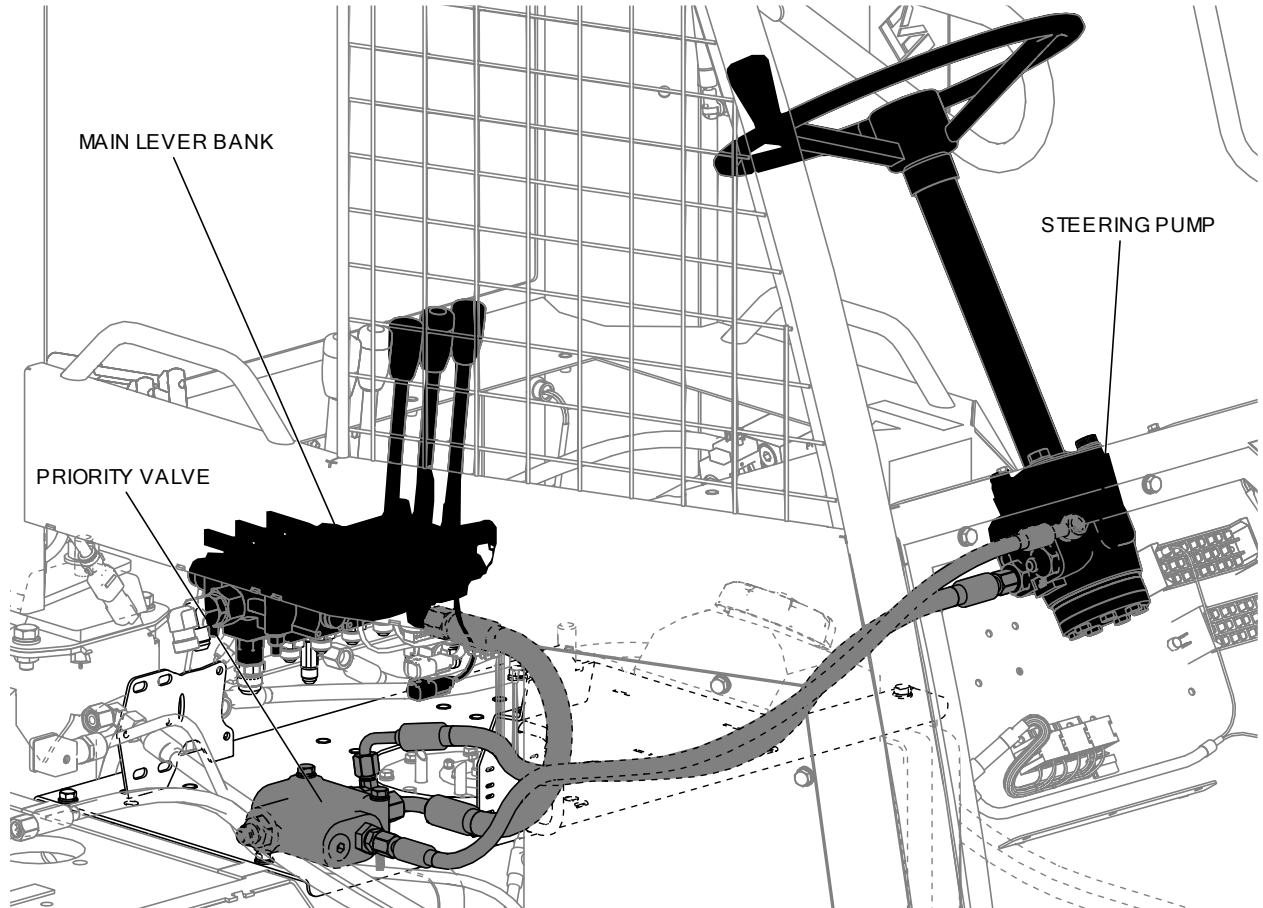
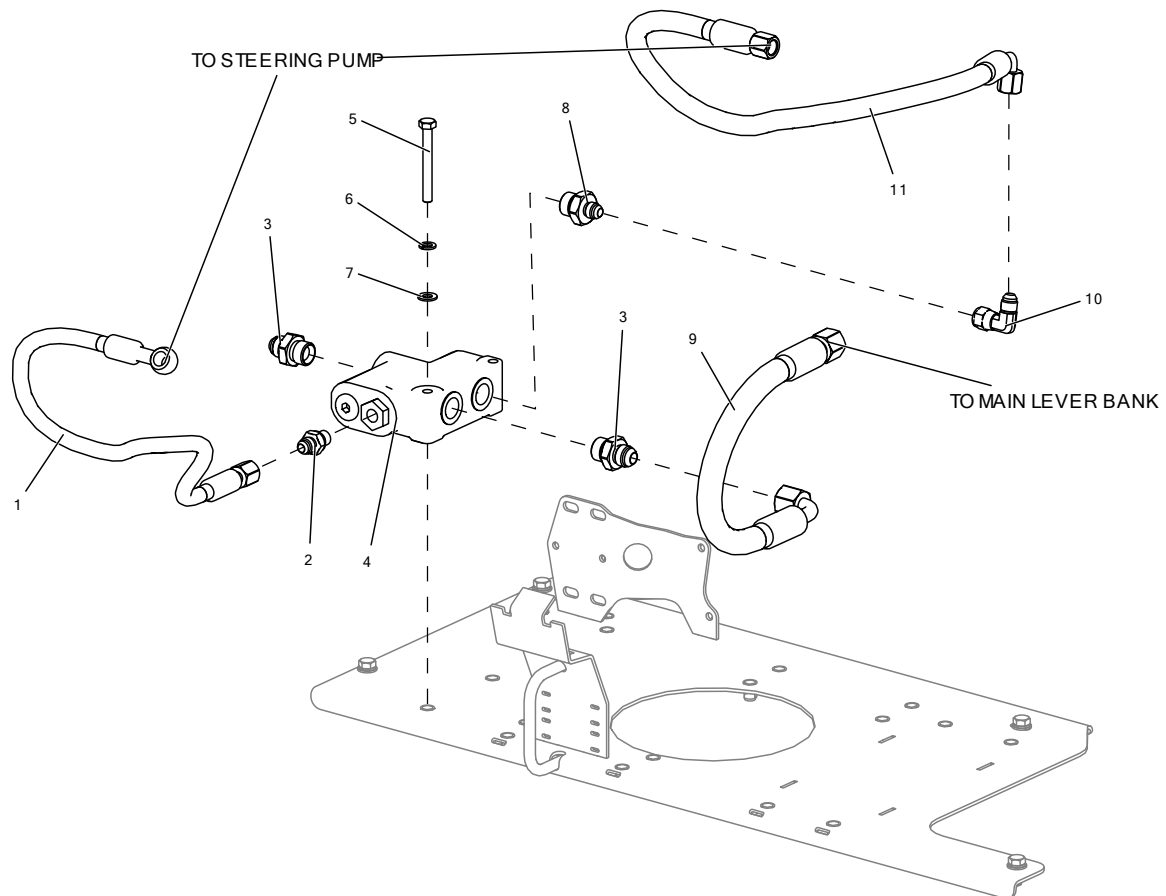


Table 28: LM1-720-12 PRIORITY VALVE LOCATION

Valid for truck 855-713 to date



NOTE: JIC HOSE FITTINGS SHOWN ABOVE AND LISTED IN PART NUMBERS BELOW. METRIC FITTINGS LISTED ON RHS OF TABLE.

Figure 33: LM1-720-12 STEERING PRIORITY VALVE ASSEMBLY (LM1-720-11 METRIC)

ITEM	PART NUMBER	QTY	DESCRIPTION	METRIC HOSE EQUIVALENTS
1	LM1-700-J211	1	HOSE JIC 'LS FROM PRIORITY TO STEERING ORBITAL'	LM1-700-M211
2	YHA1.4-9.16J	1	HOSE FITTING 1/4" BSP M W/ INTEGRAL SEAL TO 9/16J-18 M	YHA1.4-8L
3	YHA1.2-3.4J	2	HOSE FITTING 1/2" BSP M W/ SEAL TO 3/4J-16 M	YHA1.2-15L
4	YVALVE5	1	PRIORITY VALVE	-
5	XS08070Z	2	M8 X 70 HEX HEAD SCREW 8.8	-
6	XW08SZ	2	M8 SPRING WASHER	-
7	XW08AZ	2	M8 FORM A WASHER	-
8	YHA1.2-9.16J	1	1/2" BSP M W/ SEAL TO 9/16J-18 M	YHA1.2-12L
9	LM1-700-J208	1	HOSE JIC 'PRIORITY VALVE TO VALVE BANK'	LM1-700-M208
10	YHA9.16JMFE	1	HOSE FITTING 9/16J-18 MF SWIVLE ELBOW	YHA12LMFE
11	LM1-700-J212	1	HOSE JIC 'PRIORITY VALVE TO STEERING ORBITAL'	LM1-700-M212

Table 29: LM1-720-12 STEERING PRIORITY VALVE ASSEMBLY (LM1-720-11 METRIC) - BOM

## CHAPTER1.26: RETURN MANIFOLD ASSEMBLY JIC

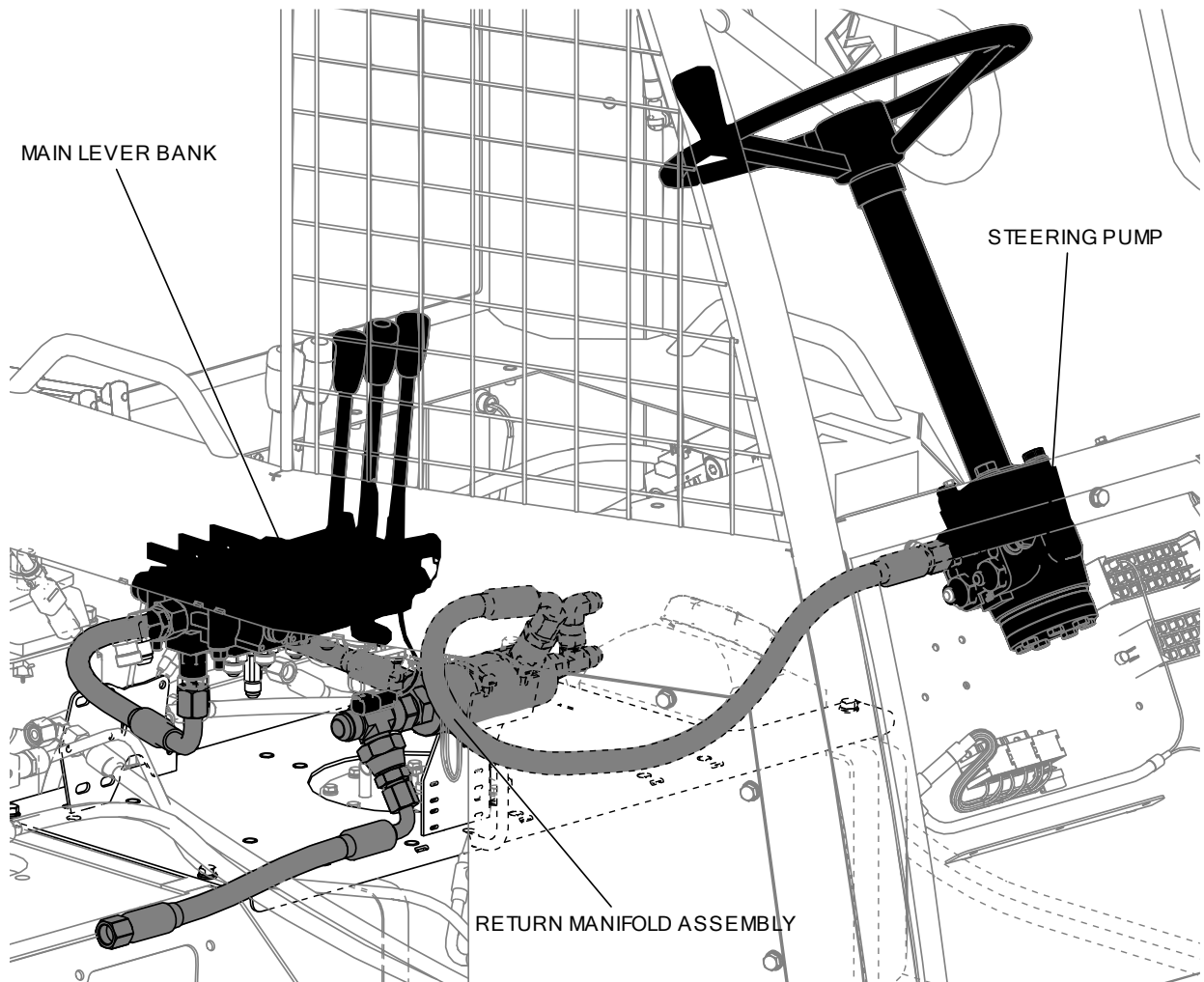
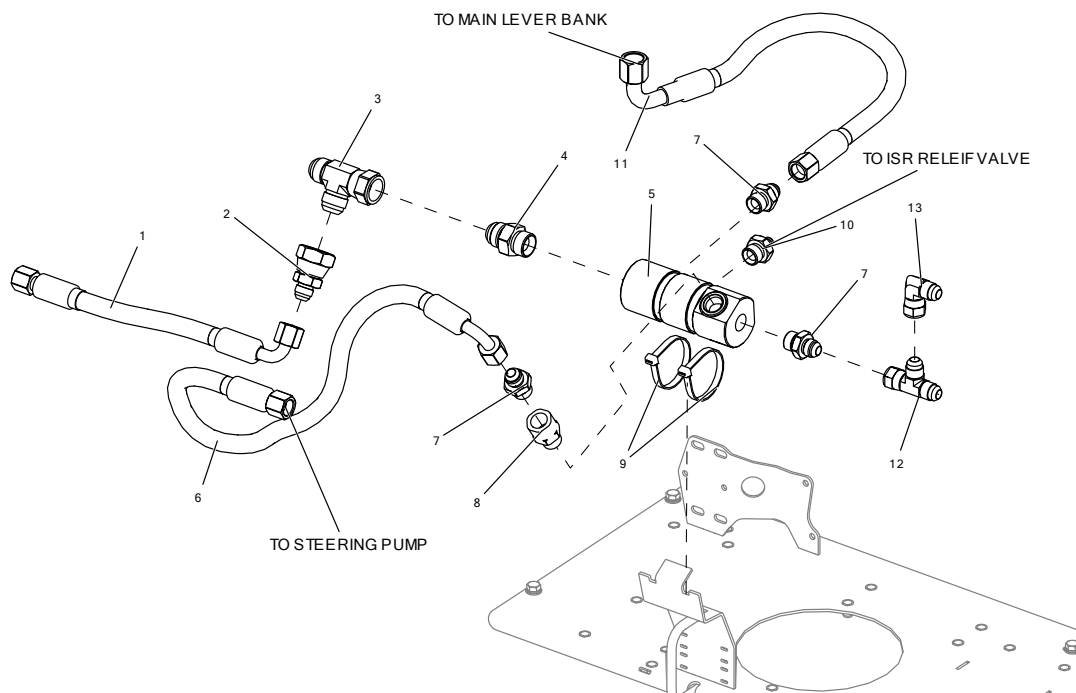


Figure 34: LM1-720-22 RETURN MANIFOLD ASSEMBLY JIC



NOTE: JIC HOSE FITTINGS SHOWN ABOVE AND LISTED IN PART NUMBERS BELOW. METRIC FITTINGS LISTED ON RHS OF TABLE.

Figure 35: LM1-720-22 RETURN MANIFOLD JIC ASSEMBLY

ITEM	PART NUMBER	QTY	DESCRIPTION	METRIC HOSE EQUIVALENTS
1	LM1-700-J353	1	HOSE JIC 'FAN MOTOR TO 6-PORT MANIFORD'	LM1-700-M353
2	YHR1.1.16J-3.4JFM	1	HOSE FITTING 1 1/16J SWIVLE FEMALE TO 3/4J MALE REDUCER	YHR22L-15LFM
3	YHT1.1.16JMFM	1	HOSE FITTING 1 1/16J TEE MALE FEMALE SWIVLE MALE ON BRANCH	YHT22LMFM
4	YHA3.4-1.1.16J	1	HOSE FITTING 3/4" BSP M W/ SEAL TO 1 1/16J-10 M	YHA3.4-22L
5	LM1-711-10	1	6 PORT RETURN MANIFOLD	-
6	LM1-700-J213	1	HOSE JIC 'STEERING ORBITAL TO TANK RETURN MANIFOLD'	LM1-700-M213
7	YHA1.2-3.4J	3	HOSE FITTING 1/2" BSP M W/ SEAL TO 3/4J-16 M	YHA1.2-15L
8	YHA1.2-1.2MFEXT	1	HOSE FITTING 1/2" BSP TO 1/2" BSP MALE FEMALE EXTENTION	YHA1.2-1.2MFEXT
9	CABLE-TIE-8-330	2	CABLE TIE	-
10	YHA1.2-9.16J	1	HOSE FITTING 1/2" BSP M W/ SEAL TO 9/16J-18 M	YHA1.2-15L
11	LM1-700-J207	1	HOSE JIC 'LEVER BANK RHS BOTTOM OUTLET TO 6-PORT MANIFOLD'	LM1-700-M207
12	YHT3.4JMFM	1	3/4J TEE MALE FEMALE SWIVEL MALE ON BRANCH	YHT15LMFM
13	YHA3.4JMFE	1	3/4J MALE FEMALE SWIVLE ELBOW	YHA15LMFE

Table 30: LM1-720-22 RETURN MANIFOLD JIC ASSEMBLY – BOM

## CHAPTER 1.27: ISR DIVERTER ASSEMBLY AND CONNECTION TO CARRIAGE CYLINDERS

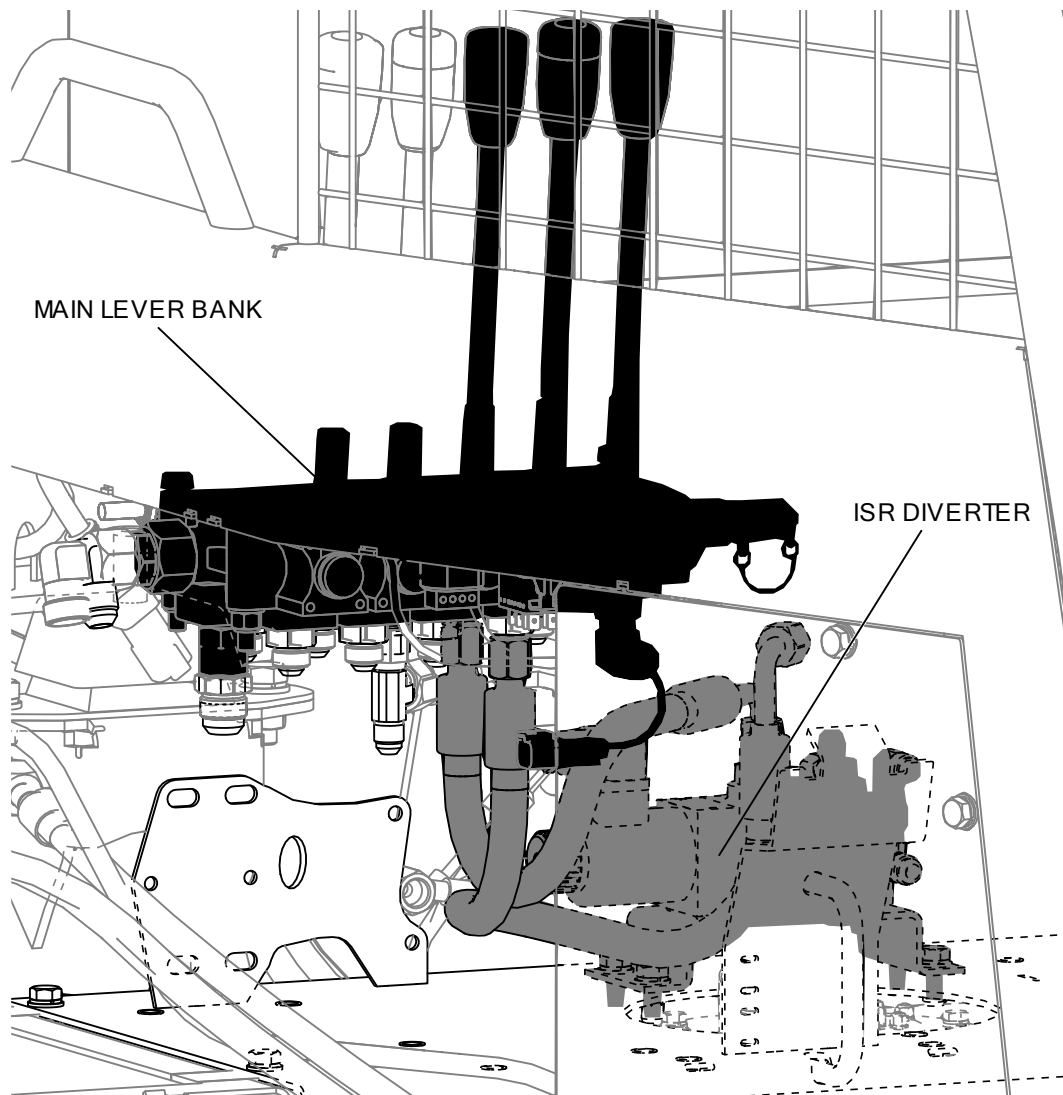


Figure 36: LM1-720-32 ISR DIVERTER

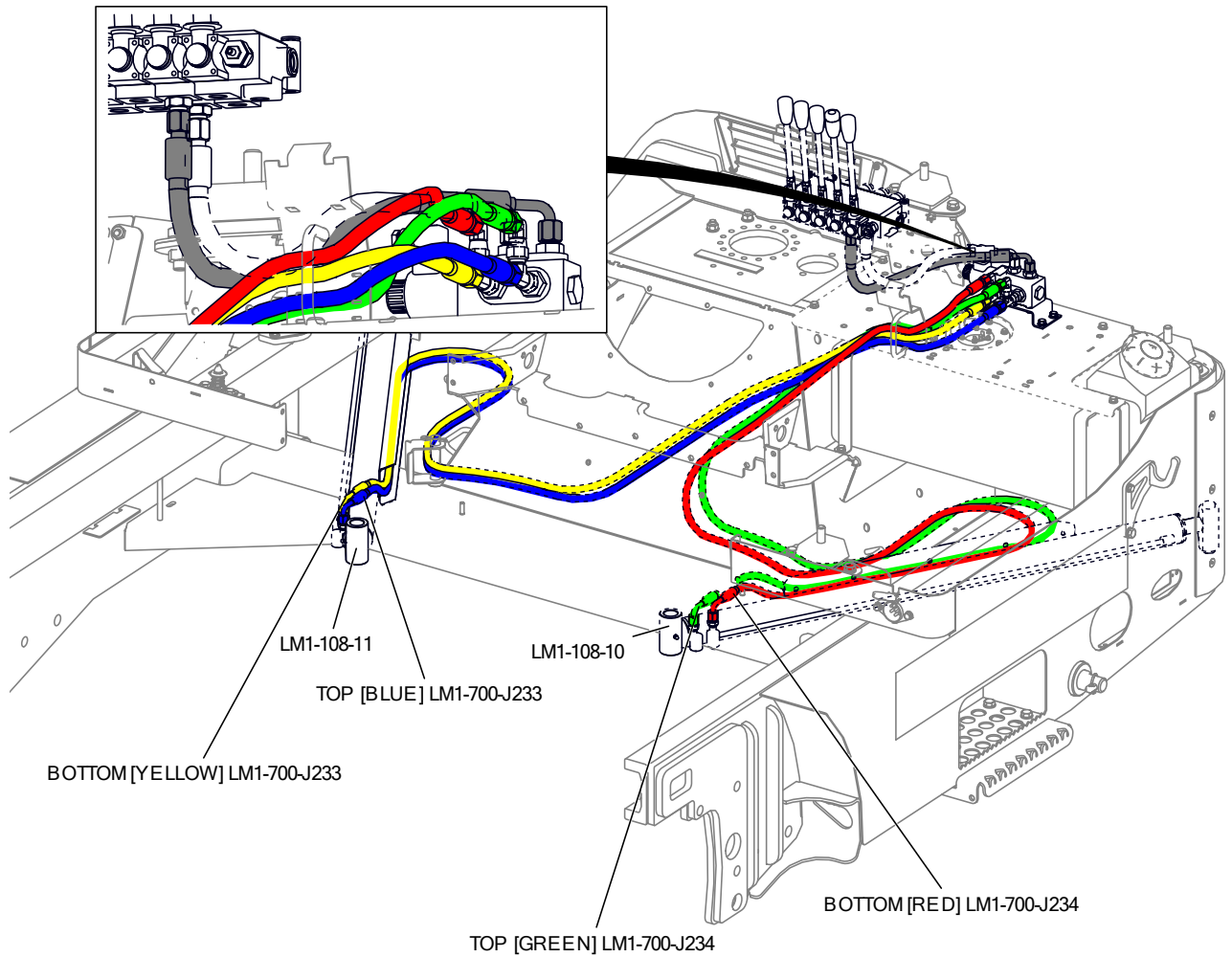
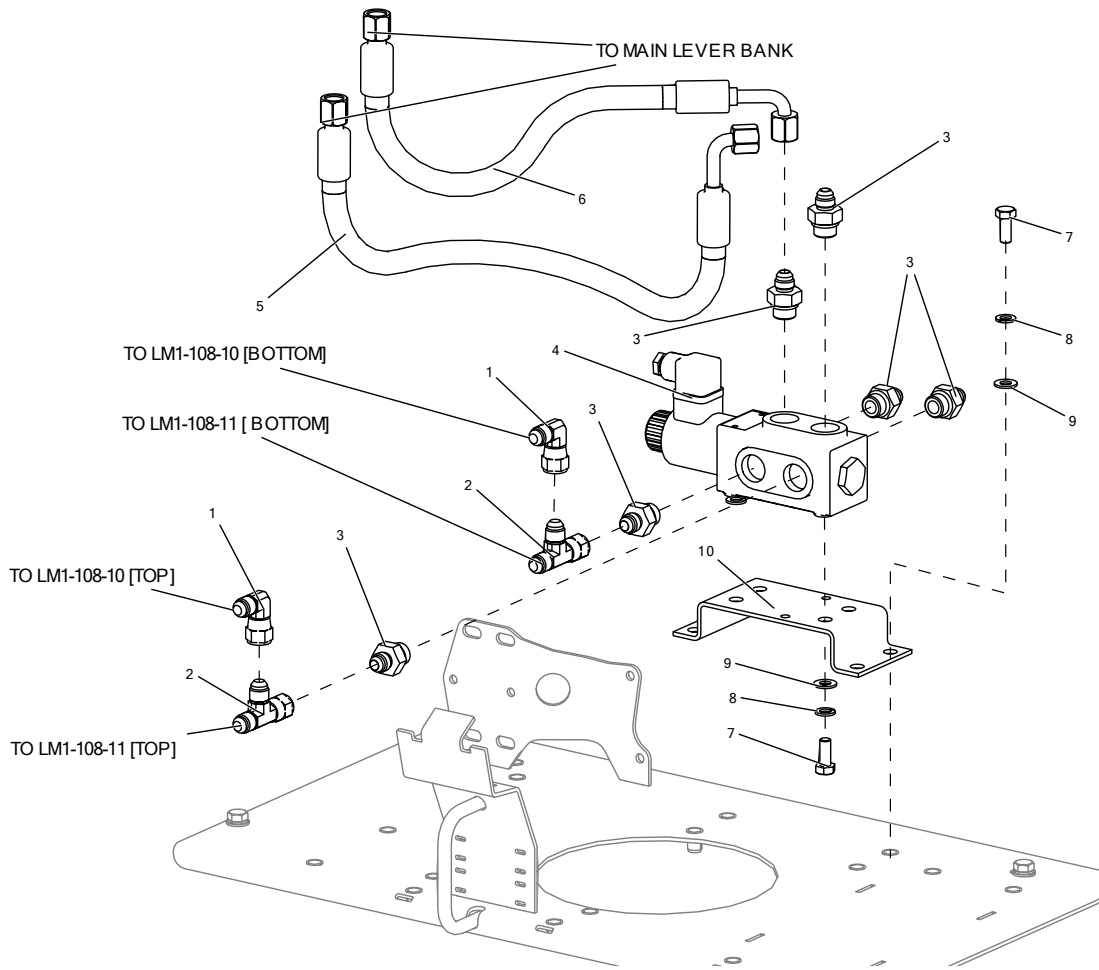


Figure 37: ISR DIVERTER VALVE TO CARRIAGE CYLINDERS



NOTE: JIC HOSE FITTINGS SHOWN ABOVE AND LISTED IN PART NUMBERS BELOW. METRIC FITTINGS LISTED ON RHS OF TABLE.

Figure 38: LM1-720-32 ISR DIVERTER ASSEMBLY

ITEM	PART NUMBER	QTY	DESCRIPTION	METRIC HOSE EQUIVALENTS
1	YHA9.16JMFE	2	9/16J-18 MF SWIVLE ELBOW	YHA12LMFE
2	YHT9-16JMF	2	9/16J-18 TEE MFM MALE ON BRANCH	YHT12LMFM
3	YHA3.8-9.16J	4	3/8" BSP M W/ SEAL TO 9/16J-18 M	YHA3.8-12L
4	YVALVE4	1	4-WAY CROSSOVER VALVE	-
5	LM1-700-J229	1	JIC Reach Diverter Valve to Section 2 of Lever Bank (N.O. CONTROL VALVE)	LM1-700-M229
6	LM1-700-J230	1	JIC Reach Diverter Valve to Section 2 of Lever Bank	LM1-700-M230
7	XS08020Z	8	M8 X 20 HEX HEAD SCREW 8.8	-
8	XW08SZ	8	M8 SPRING WASHER	-
9	XW08AZ	8	M8 FORM A WASHER	-
10	LM1-100-33	1	VALVE RISER	-
11	YHA3.8-9.16J	2	3/8" BSP M W/ SEAL TO 9/16J-18 M	YHA3.8-8L

Table 31: LM1-720-32 ISR DIVERTER JIC ASSEMBLY - BOM



## CHAPTER1.28: ISR RELIEF VALVE WITH HOSES TO MASTS

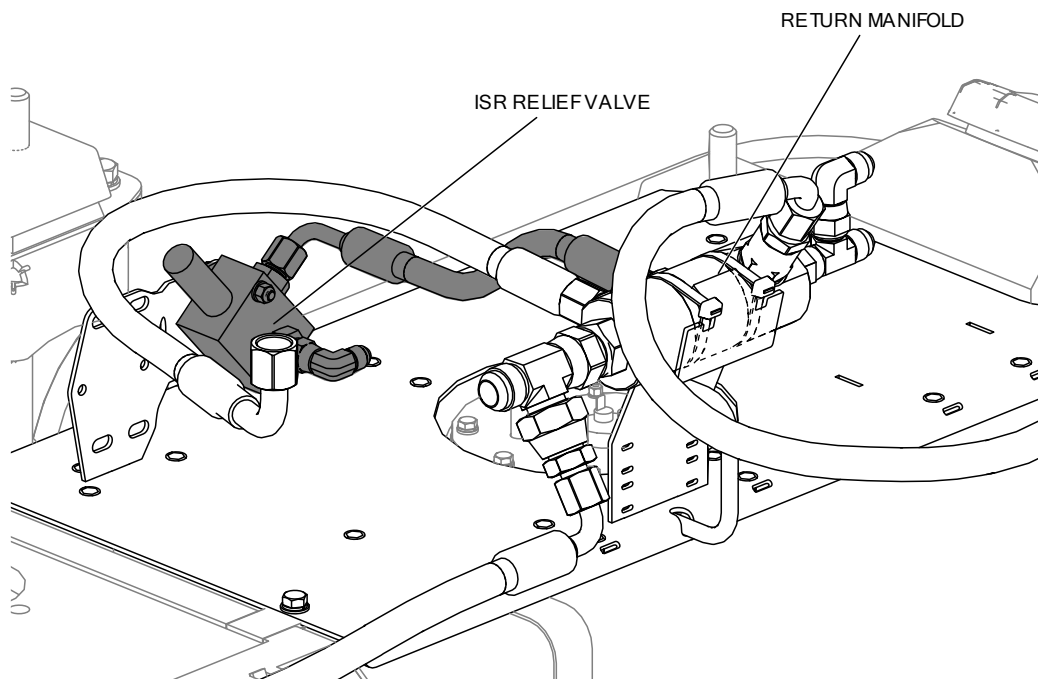
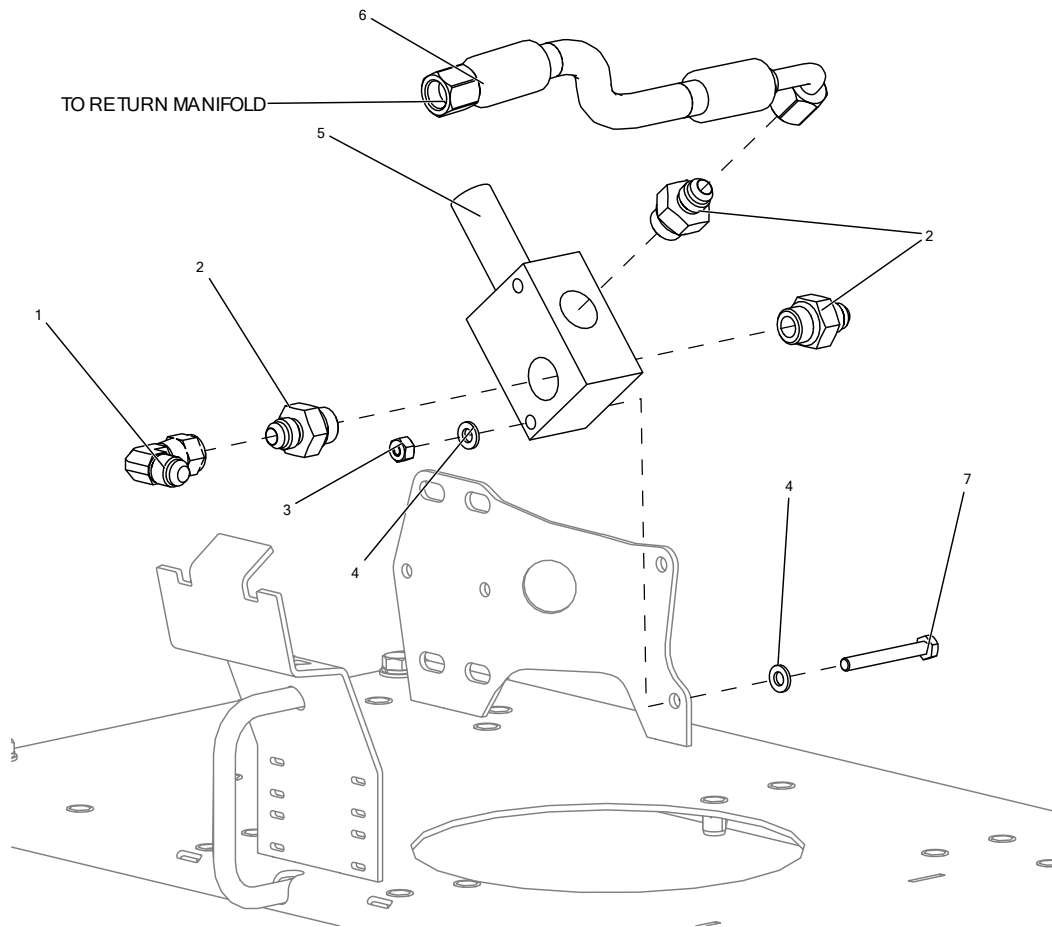


Figure 39: LM1-720-42 ISR RELIEF VALVE JIC



NOTE: JIC HOSE FITTINGS SHOWN ABOVE AND LISTED IN PART NUMBERS BELOW. METRIC FITTINGS LISTED ON RHS OF TABLE.

Figure 40: LM1-720-42 ISR RELIEF VALVE JIC ASSEMBLY

ITEM	PART NUMBER	QTY	DESCRIPTION	METRIC HOSE EQUIVALENTS
1	YHA9.16JMFE	1	9/16J-18 MF SWIVLE ELBOW	YHA8LMFE
2	YHA3.8-9.16J	3	3/8" BSP M W/ SEAL TO 9/16J-18 M	YHA3.8-8L
3	XN06N	2	M6 NYLOC NUT	-
4	XW06AZ	4	M6 FORM A WASHER	-
5	YVALVE15	1	RELIEF VALVE - ISR	-
6	LM1-700-J243	1	JIC ISR Relief Valve to 6 Port Manifold	LM1-700-M243
7	XS06050Z	2	M6 X 50 HEX HEAD SCREW 8.8	-

Table 32: LM1-720-42 ISR RELIEF VALVE JIC ASSEMBLY – BOM

## CHAPTER1.29: 4-WAY STEERING BLOCK

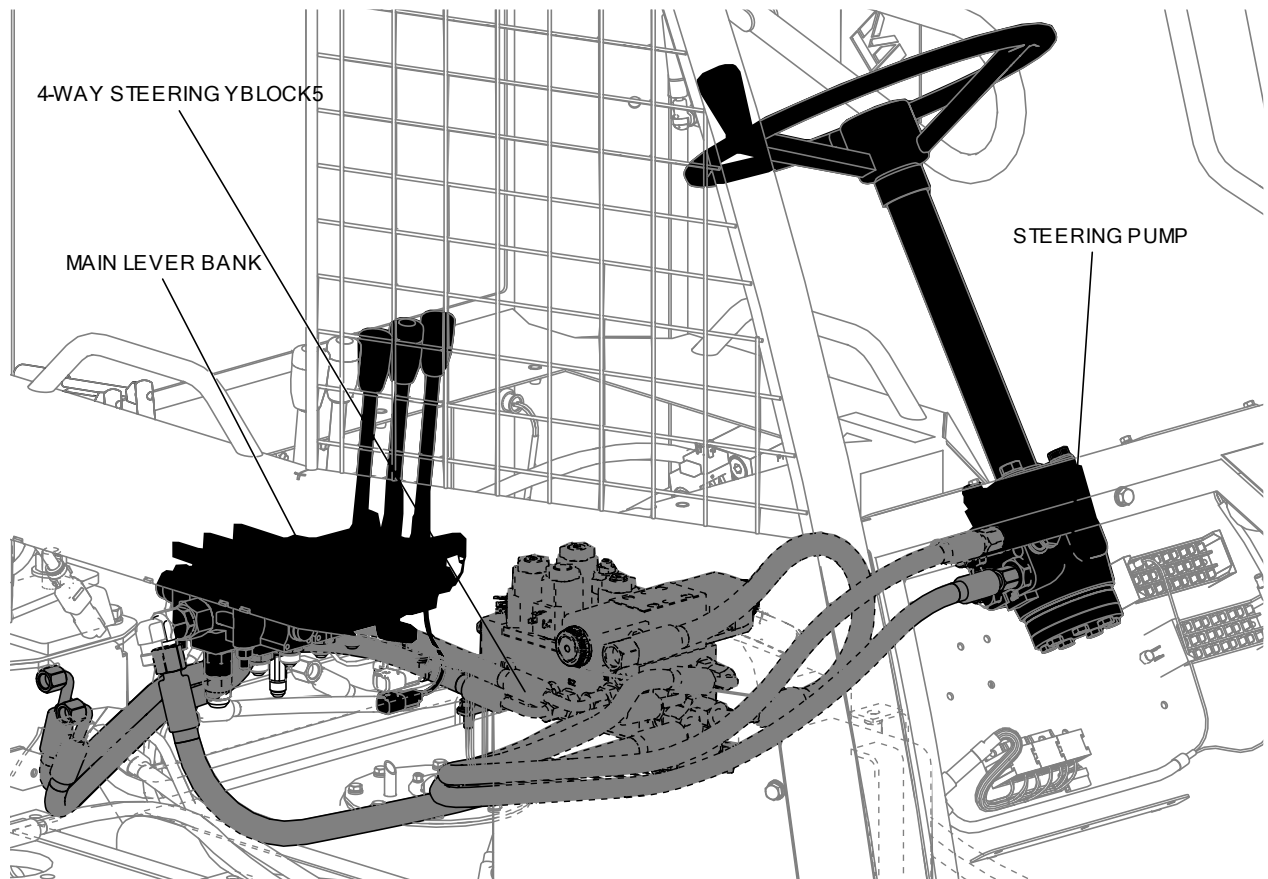
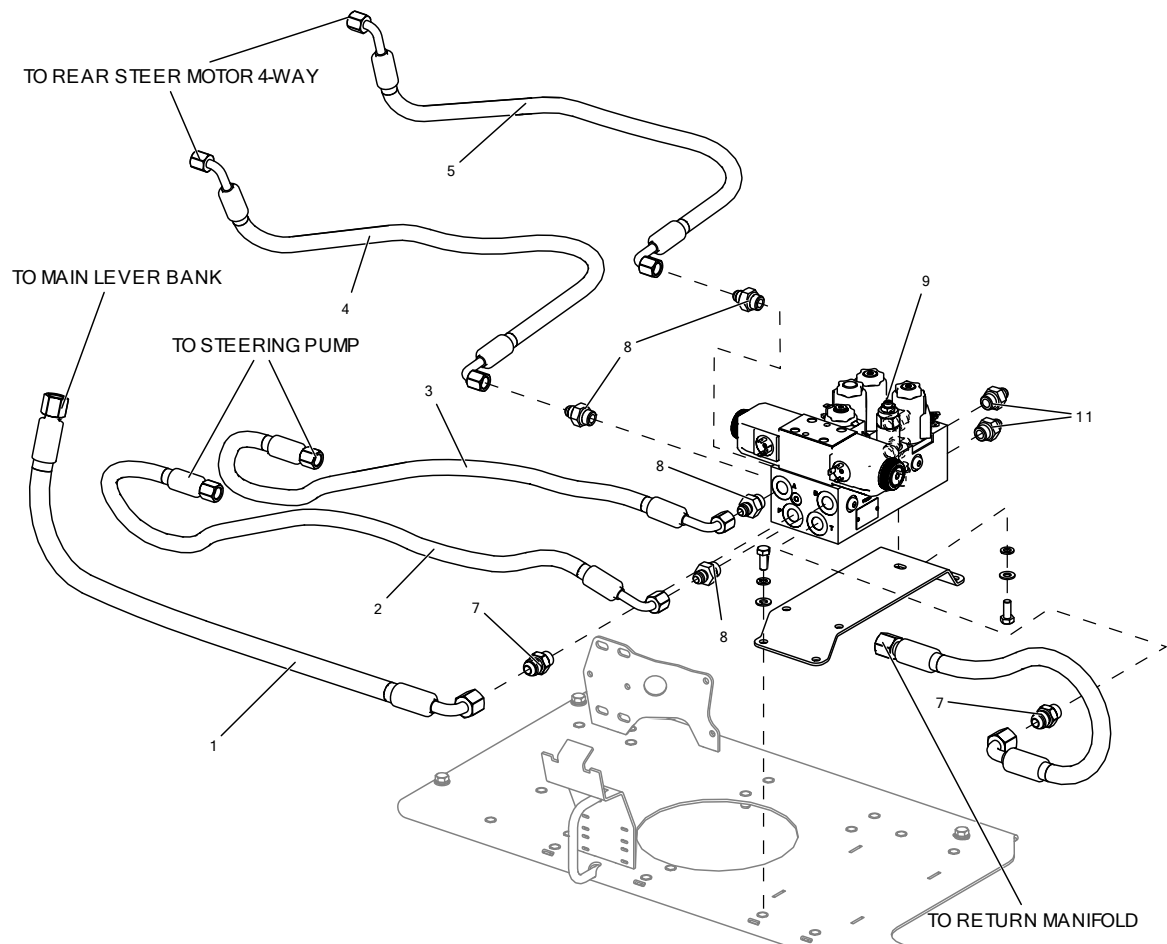


Figure 41: LM1-720-52 4-WAY STEERING YBLOCK5 JIC

Valid for truck 855-713 to date



NOTE: JIC HOSE FITTINGS SHOWN ABOVE AND LISTED IN PART NUMBERS BELOW. METRIC FITTINGS LISTED ON RHS OF TABLE.

Figure 42: LM1-720-52 4-WAY STEERING YBLOCK5 JIC ASSEMBLY

ITEM	PART NUMBER	QTY	DESCRIPTION	METRIC HOSE EQUIVALENTS
1	LM1-700-J244	1	JIC Lever Bank RHS End Outlet to 4W Block "P" or (2W to LH End port on 6 Port Manifold)	LM1-700-M244
2	LM1-700-J209	1	JIC Steering Orbital "L" to Steer Motor "A" (or 4 Way Block "B")	LM1-700-M209
3	LM1-700-J210	1	JIC Steering Orbital "R" to Steer Motor "B" (or 4 Way Block "A")	LM1-700-M210
4	LM1-700-J250	1	JIC 4 Way Block "S1"(119) or Port 2 YVALVE7 (119) to Steer Motor "B"(120)	LM1-700-M250
5	LM1-700-J251	1	JIC 4 Way Block "S2" to Steer Motor "A"	LM1-700-M251
7	YHA3.8-3.4J	2	3/8" BSP M W/ INTEGRAL SEAL TO 3/4J-16 M	YHA3.8-15L
8	YHA3.8-9.16J	4	3/8" BSP M W/ SEAL TO 9/16J-18 M	YHA3.8-12L
9	YBLOCK5	1	HYDRAULIC CONTROL BLOCK - 4 WA (SEE NEXT PAGE)	-
10	YHA3.8-9.16J	4	3/8" BSP M W/ SEAL TO 9/16J-18 M	YHA3.8-8L

Table 33: LM1-720-52 4-WAY STEERING YBLOCK5 JIC ASSEMBLY - BOM

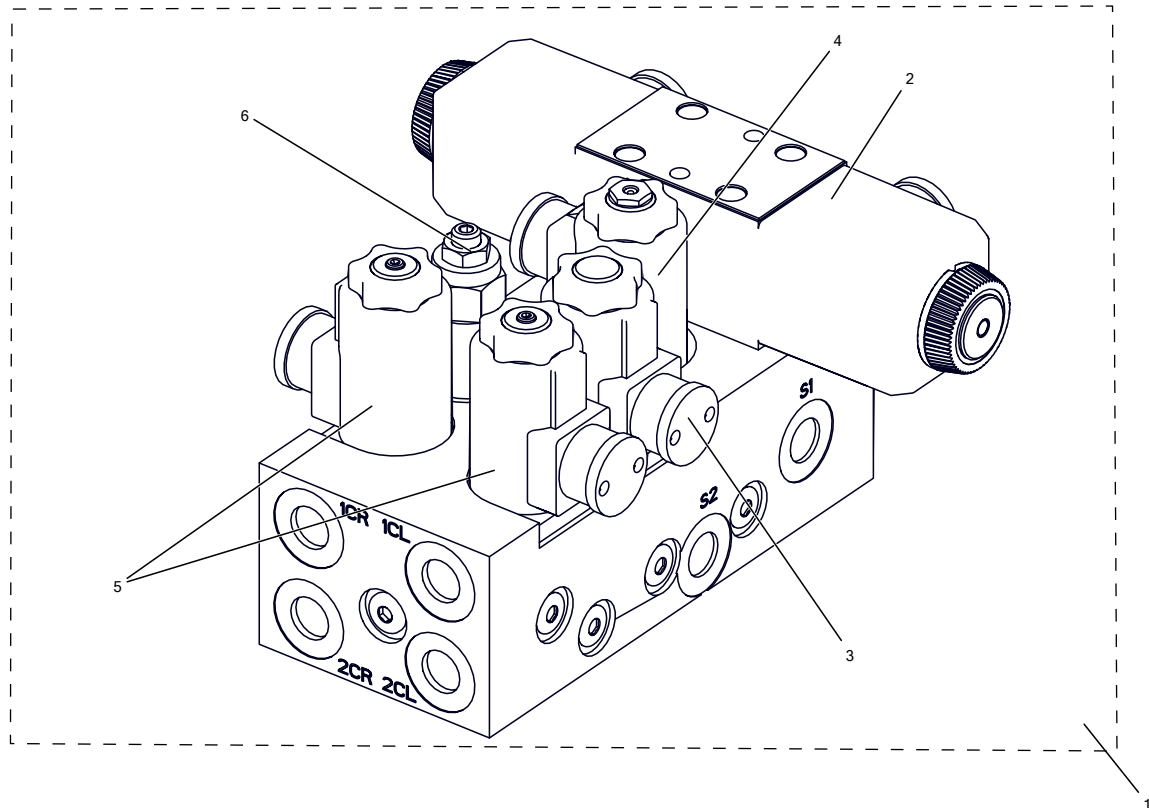


Figure 43: YBLOCK5 ARRANGEMENT

ITEM	PART NUMBER	QTY	DESCRIPTION	NOTES
1	YBLOCK5	1	HYDRAULIC CONTROL BLOCK 4-WAY (COMPLETE ASSEMBLY)	
2	YVALVE26	1	YBLOCK5 VALVE // WEDO-43-J-6V-1 12D M100 // ORIGIN: SWITZERLAND	
3	YVALVE27	1	YBLOCK5 VALVE // WR22GNA5-5 12D M100	
4	YVALVE28	1	YBLOCK5 VALVE // WR22ONA5-5 12D M100	
5	YVALVE29	2	YBLOCK5 VALVE // WK32GNA5-2 12D M10007	
6	YVALVE30	1	YBLOCK5 VALVE // CBPP-10-N-B-0-2.3-50-C // ORIGIN: SWITZERLAND	

Table 34: YBLOCK5 ARRANGEMENT BOM

**INTENTIONALLY LEFT BLANK**

## CHAPTER1.30: 400BAR ISR RELIEF VALVE JIC

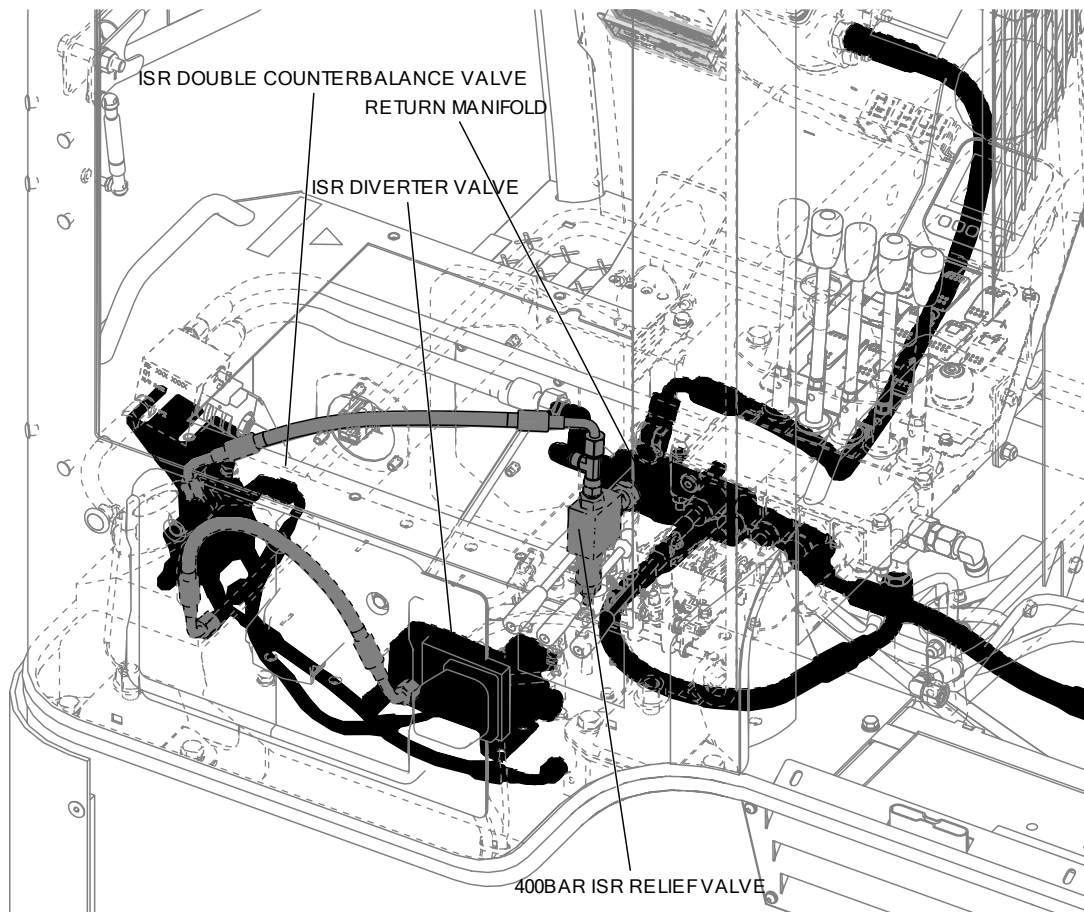


Figure 44: 400BAR ISR RELIEF VALVE JIC

Valid for truck 855-713 to date

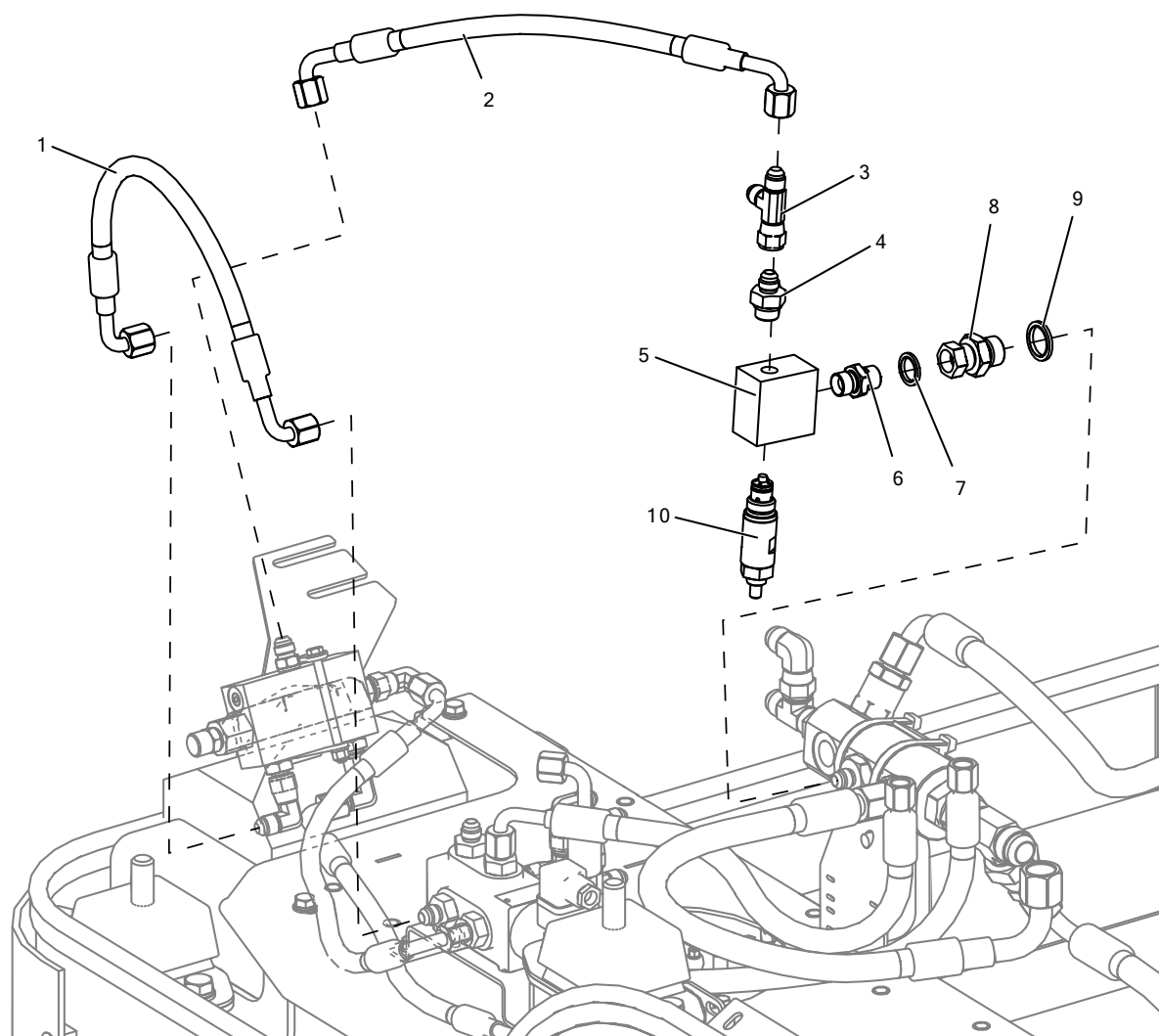


Figure 45: LM1-720-82 400BAR ISR RELIEF VALVE JIC ASSEMBLY

ITEM	PART NUMBER	QTY	DESCRIPTION	NOTES
1	LM1-700-J240	1	JIC DIVERTER VALVE TO ISR Relief Valve	
2	LM1-700-J241	1	JIC Diverter Valve to ISR Check Valve Tee (ALT. DCBV TO 400BAR RV)	
3	YHT9-16JFM	1	9/16J-18 TEE MFM MALE ON BRANCH	
4	YHA3.8-9.16J	1	3/8" BSP M W/ SEAL TO 9/16J-18 M	
5	YBLOCK7	1	BLOCK - HP RELIEF VALVE	
6	YHA3.8-3.8	1	3/8" BSP MALE TO 3/8" BSP MALE ADAPTER	
7	YHS3/8D	1	0.375" BSP DOWTY WASHER	
8	YHA1.2-3.8F	1	1/2" BSP TO 3/8" BSP SWIVLE	
9	YHS1/2D	1	0.5" BSP DOWTY WASHER	
10	YVALVE18	1	HIGH PRESSURE RELIEF VALVE - ISR	

Table 35: LM1-720-82 400BAR ISR RELIEF VALVE JIC ASSEMBLY



## CHAPTER1.31: 4-WAY LOOM WITH INTERLOCK JIC

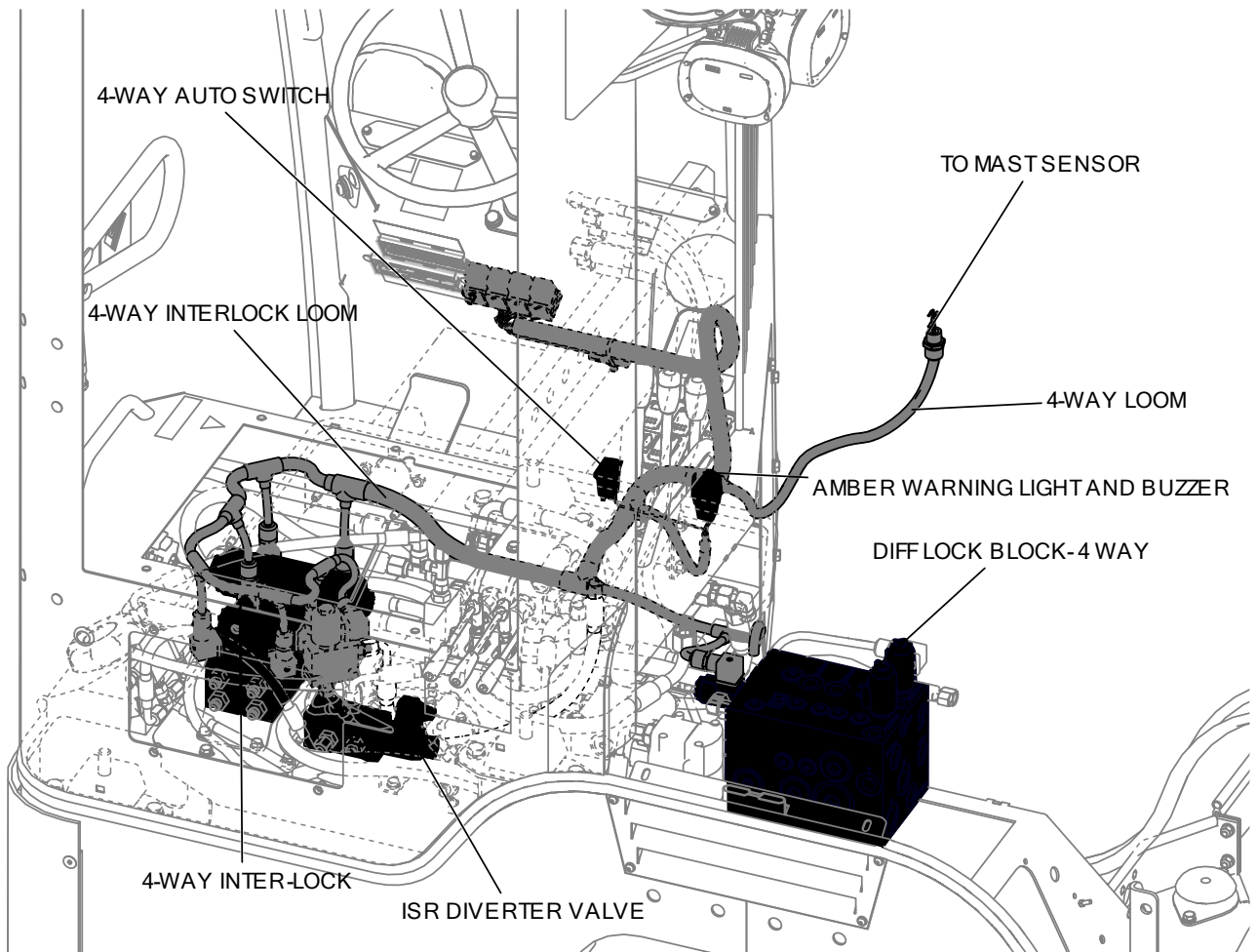


Figure 46: LM1-825-61 4-WAY LOOM WITH INTERLOCK JIC

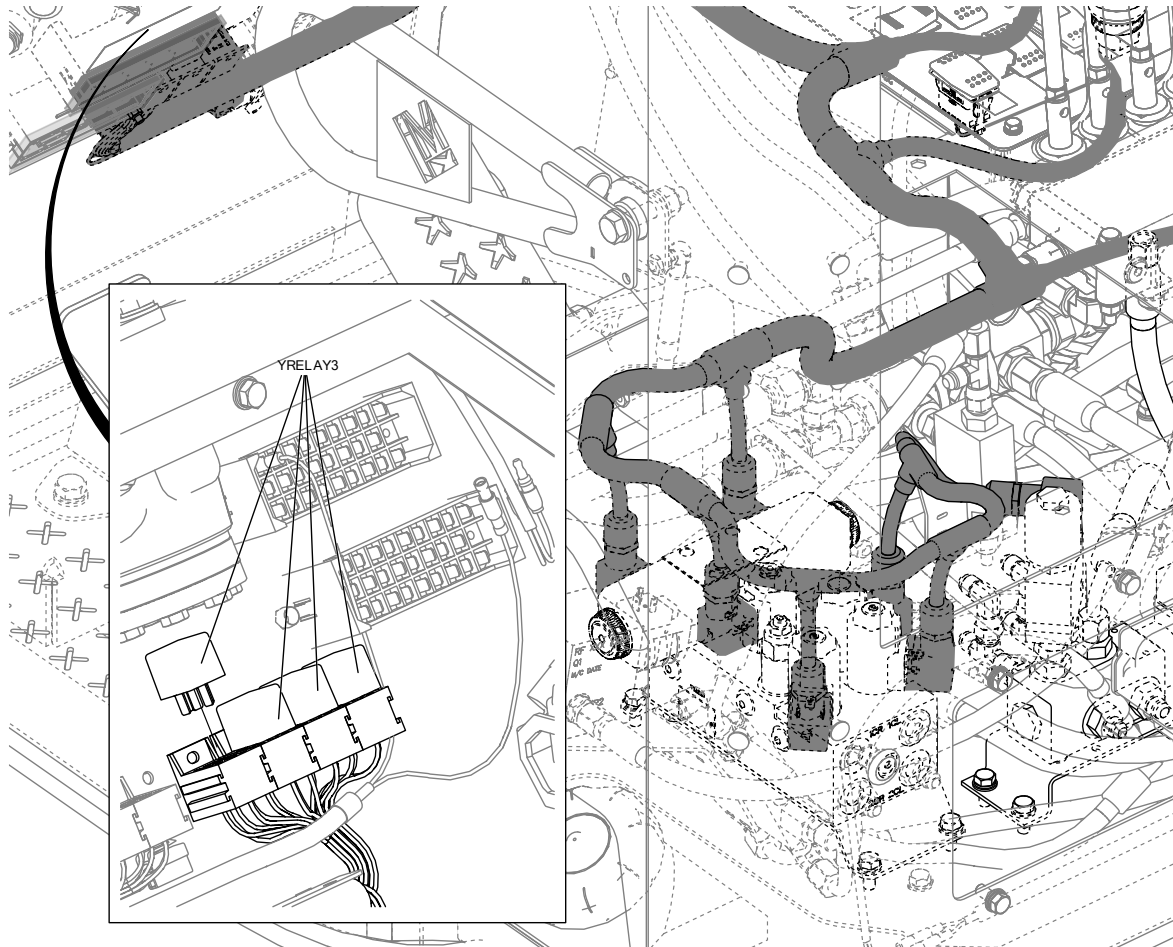


Figure 47: LM1-825-61 4-WAY LOOM WITH INTERLOCK JIC - RELAYS

## CHAPTER1.32: REAR STEER MOTOR

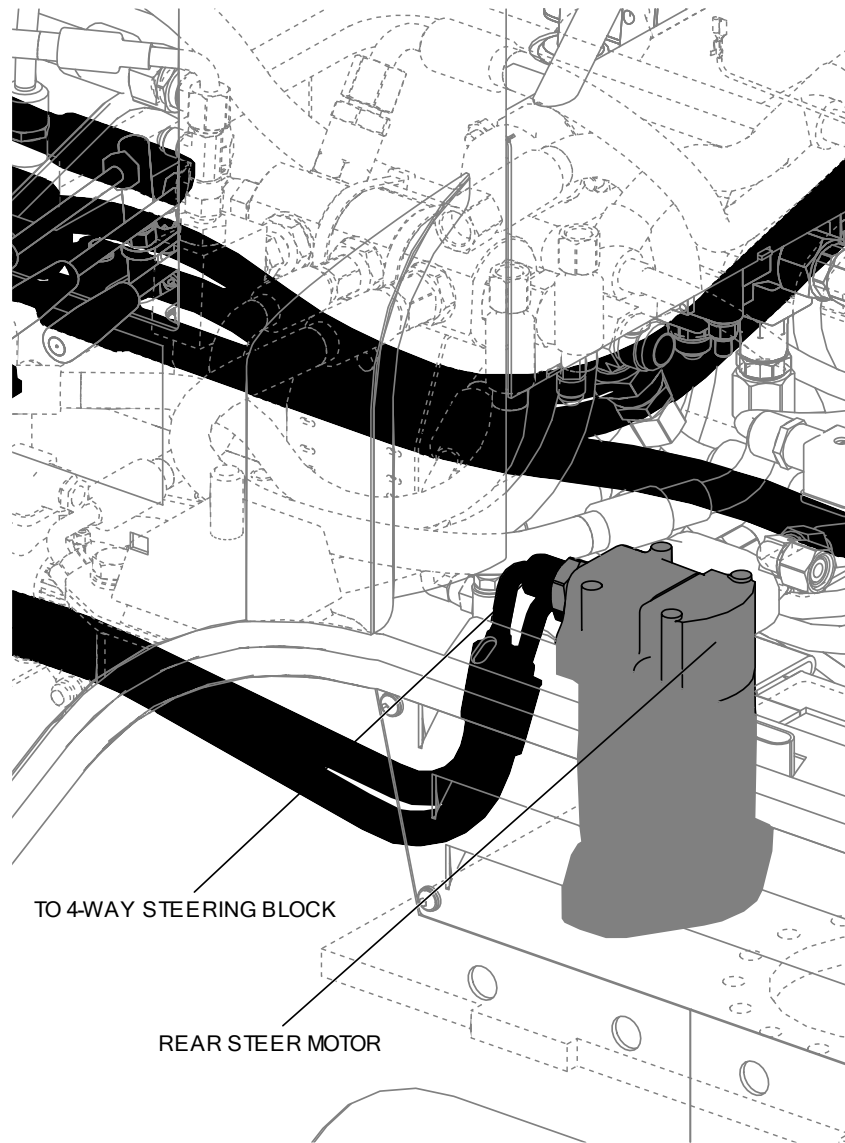


Figure 48: LM1-310-10 REAR STEER MOTOR JIC 4-WAY

Valid for truck 855-713 to date

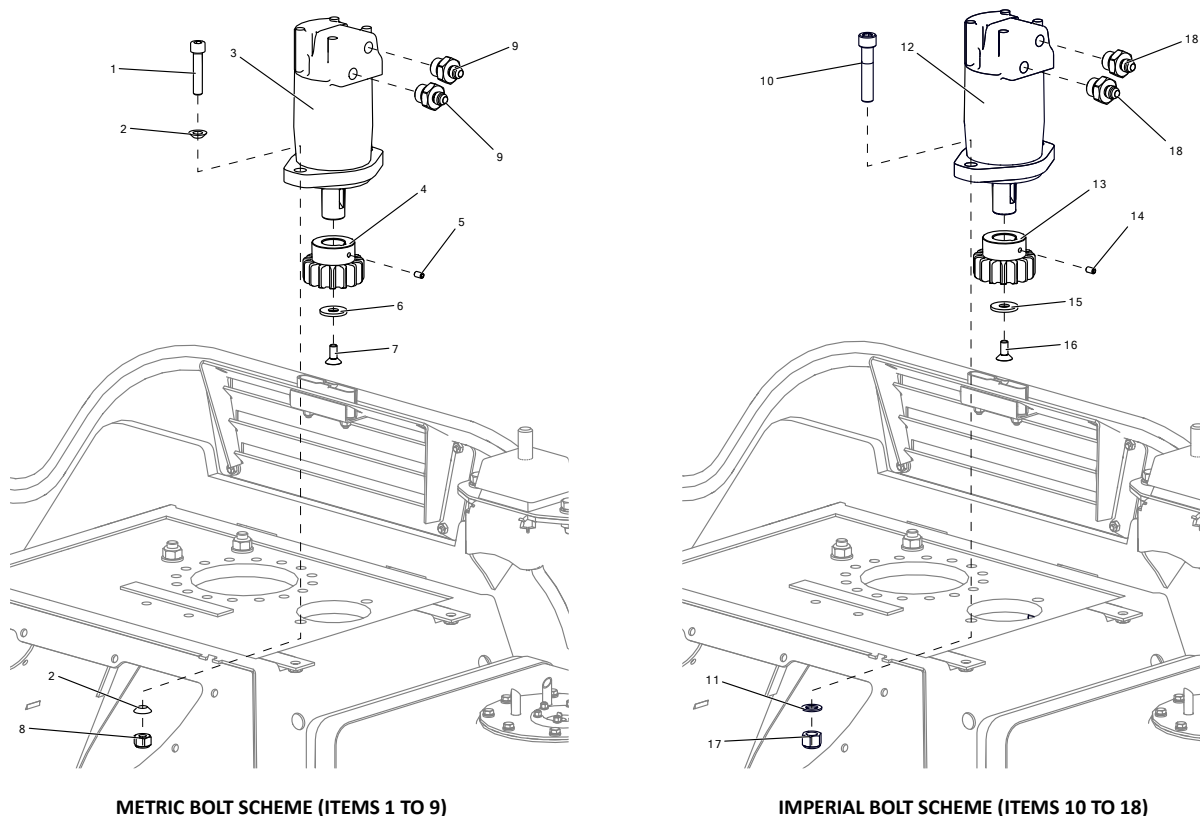


Figure 49: LM1-310-10 REAR STEER MOTOR BOLT SCHEME

ITEM	PART NUMBER	QTY	DESCRIPTION	METRIC HOSE EQUIVALENTS
1	XSC10055BZP	2	M10 x 55 CAP HEAD 12.9	-
2	LM1-300-06	4	STEER MOTOR CONICAL WASHER	-
3	YMOTOR3	1	STEERING MOTOR (YMOTOR3KEY X 1 SUPPLIED BUT ALSO CAN BE SPARE)	-
4	LM1-300-04	1	GEAR ON REAR WHEEL	-
5	XG06010Z	1	GRUB SCREW	-
6	LM1-100-43	1	SPUR GEAR RETAINING WASHER	-
7	XCSK08020SKTZB	1	M8 X 20 CSUNK SCREW 8.8	-
8	XN10N10.9	4	M10 NYLOC NUT 10.9	-
9	YHA1.2-9.16J	2	1/2" BSP M W/ SEAL TO 9/16J-18 M	YHA1.2-12L
10	XSC2.1/201/2UNFBZP	2	2.5 X 0.5 INCH UNF CAP HEAD SCREW	-
11	XW0.5T3Z	2	1/2 INCH WASHER	-
12	YMOTOR3	1	STEERING MOTOR (YMOTOR3KEY X 1 SUPPLIED BUT ALSO CAN BE SPARE)	-
13	LM1-300-04	1	GEAR ON REAR WHEEL	-
14	XG06010Z	1	GRUB SCREW	-
15	LM1-100-43	1	SPUR GEAR RETAINING WASHER	-
16	XCSK08020SKTZB	1	M8 X 20 CSUNK SCREW 8.8	-
17	XN0.5UNFN	2	0.5 INCH UNF NUT	-
18	YHA1.2-9.16J	2	1/2" BSP M W/ SEAL TO 9/16J-18 M	YHA1.2-12L

Table 36: LM1-310-10 REAR STEER MOTOR BOLT SCHEME

## CHAPTER1.33: CHASSIS LIGHTS

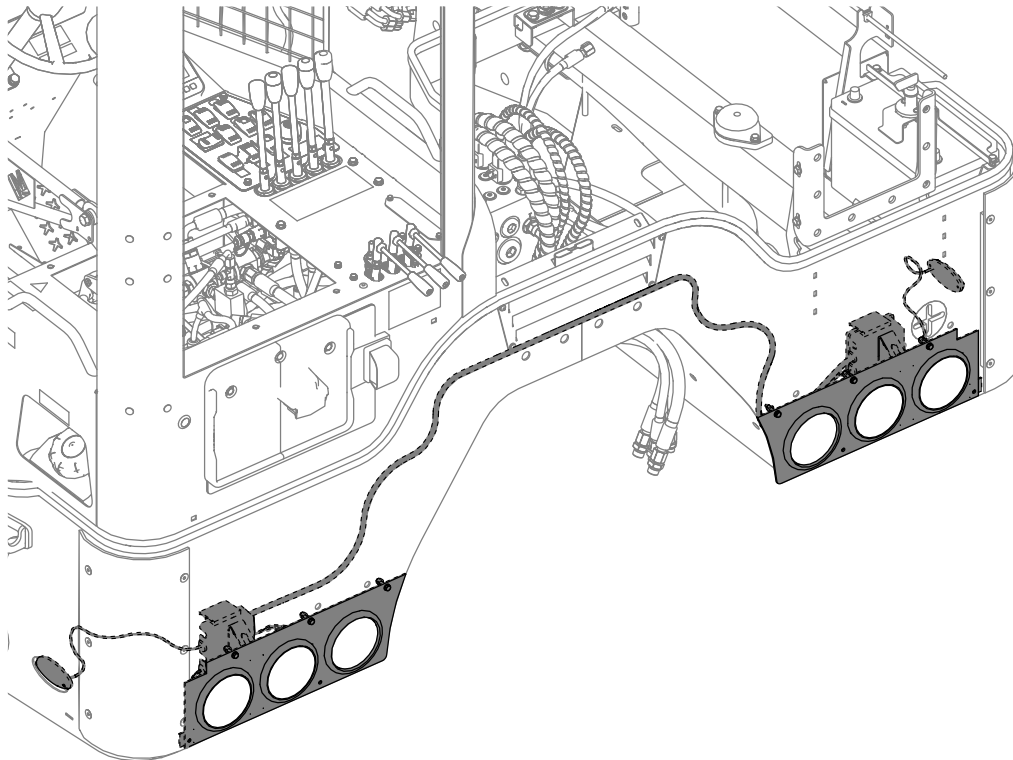


Figure 50: Chassis lights general layout

Valid for truck 855-713 to date

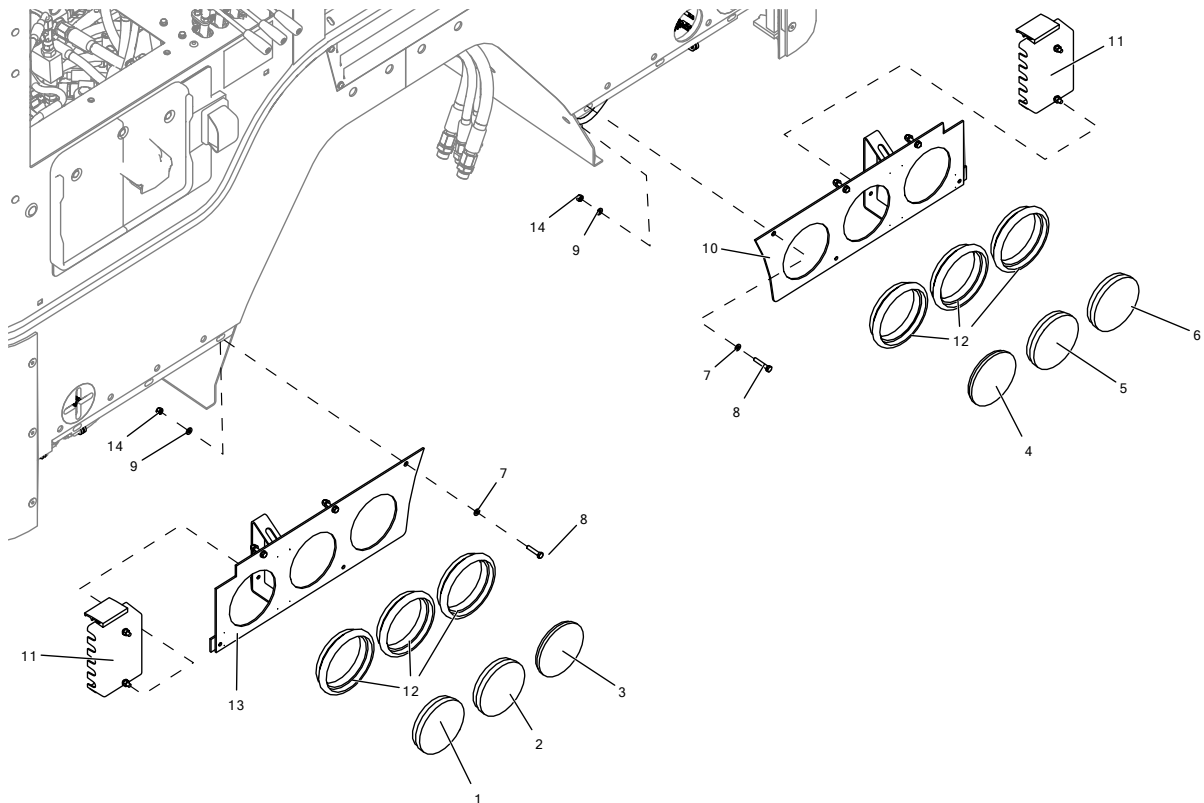


Figure 51: Chassis lights

ITEM	TERRITORY	PART NUMBER	DESCRIPTION	QTY
1	USA/CAN	YLIGHT38	RED STOP/TAIL	1
	UK/AUS/EU	YLIGHT31	ORANGE INDICATOR	
2	USA/CAN	YLIGHT38	RED STOP/TAIL	1
	UK/AUS/EU	YLIGHT33	RED STOP/TAIL	
3	USA/CAN	YLIGHT39	WHITE REVERSE	1
	UK/AUS/EU	YLIGHT34	WHITE REVERSE	
4	USA/CAN	YLIGHT39	WHITE REVERSE	1
	UK/AUS/EU	YLIGHT32	RED FOG	
5	USA/CAN	YLIGHT38	RED STOP/TAIL	1
	UK/AUS/EU	YLIGHT33	RED STOP/TAIL	
6	USA/CAN	YLIGHT38	RED STOP/TAIL	1
	UK/AUS/EU	YLIGHT31	ORANGE INDICATOR	
7	ALL	XW06AZ	M6 FORM A WASHER	6
8	ALL	XS06035ZB	M6 X 35 HEX HEAD SCREW 8.8 BLACK	6
9	ALL	XW06GZ	M6 FORM G WASHER	6
10	ALL	LM1-113-50	RH REAR LIGHT CLUSTER	1
11	ALL	YBOX2	LIGHT JUNCTION BOX	2
12	ALL	YGR14.5	LIGHT 4.5" GROMMET	6
13	ALL	LM1-112-50	LH REAR LIGHT CLUSTER	1
14	ALL	XN06N	M6 NYLOC NUT	6

Table 37: Chassis lights - BOM

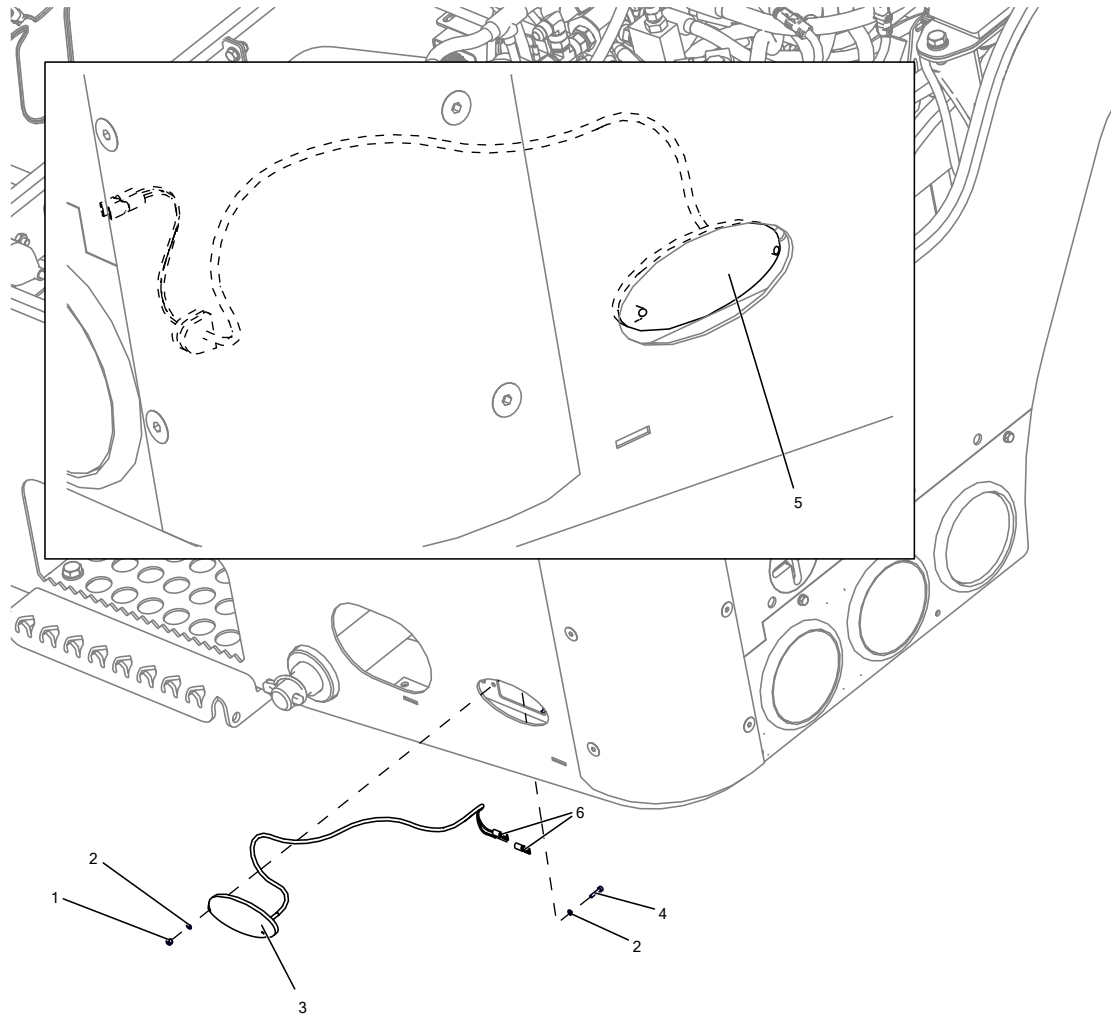


Figure 52: LM1-860-00 USA-CAN SIDE MARKER LIGHTS

ITEM	TERRITORY	PART NUMBER	DESCRIPTION	QTY
1	ALL	XN03N	M3 NYLOC NUT	4
2	ALL	XW03AZ	M3 FORM A WASHER	8
3	USA/CAN UK/AUS/EU	YLIGHT37 YLIGHT24	RED SIDE LIGHT LH (PART OF LM1-850-60 LOOM) ORANGE SIDE LIGHT LH (PART OF LM1-850-30 LOOM)	1
4	ALL	XSC03016Z	M3 X 16 HEX HEAD SCREW 8.8	2
5	USA/CAN UK/AUS/EU	YLIGHT37 YLIGHT24	RED SIDE LIGHT RH (PART OF LM1-850-70 LOOM) ORANGE SIDE LIGHT LH (PART OF LM1-850-40 LOOM)	1
6	ALL	YPIN1	6.3MM FEMALE LUCAR PIN BLUE	4

Table 38: LM1-860-00 USA-CAN SIDE MARKER LIGHTS - BOM

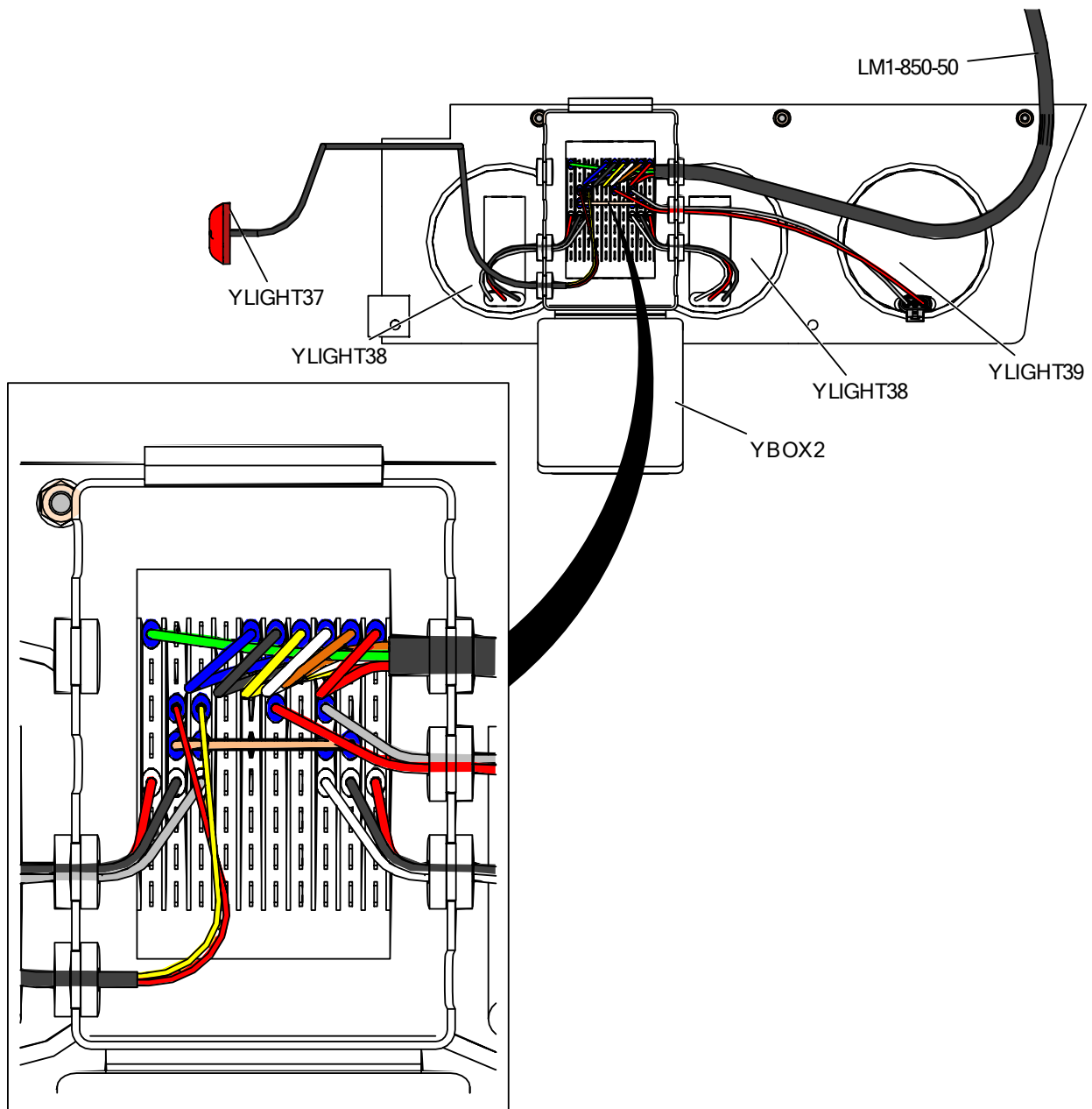


Figure 53 USA/CAN – REAR AND SIDE LIGHT WIRING RHS



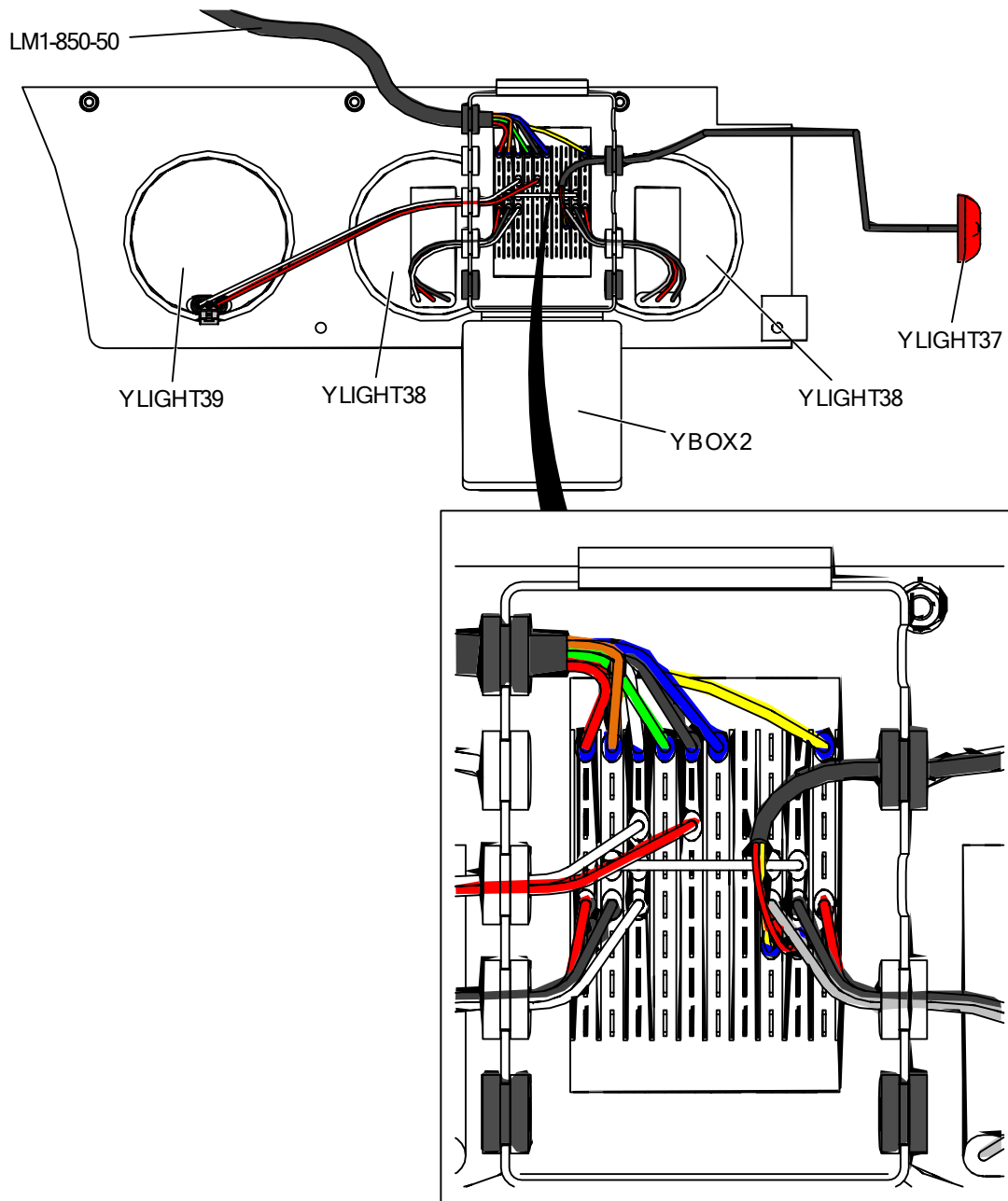


Figure 54: USA/CAN – REAR AND SIDE LIGHT WIRING LHS

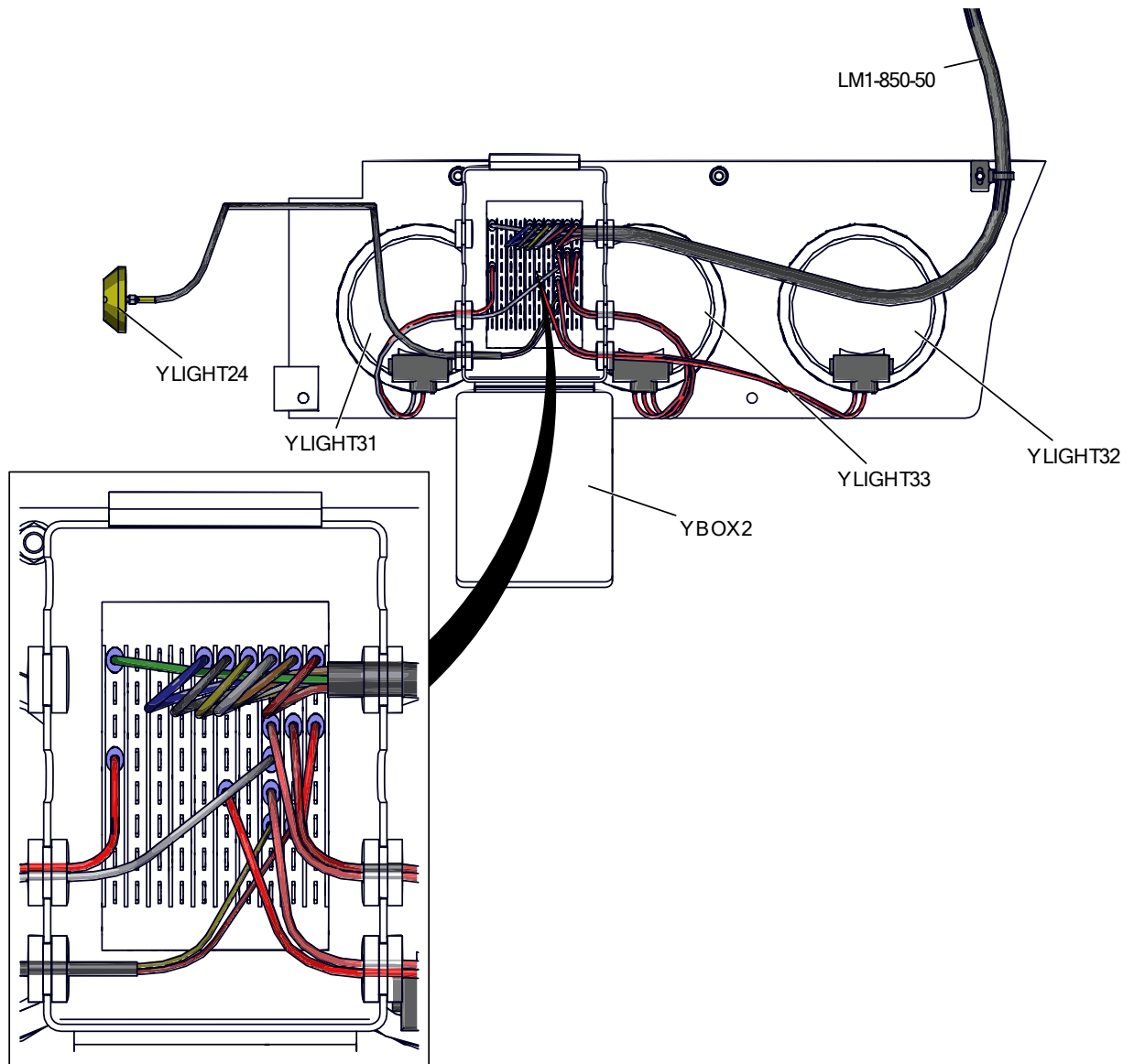


Figure 55: UK/AUS/EU – REAR AND SIDE LIGHT WIRING RHS

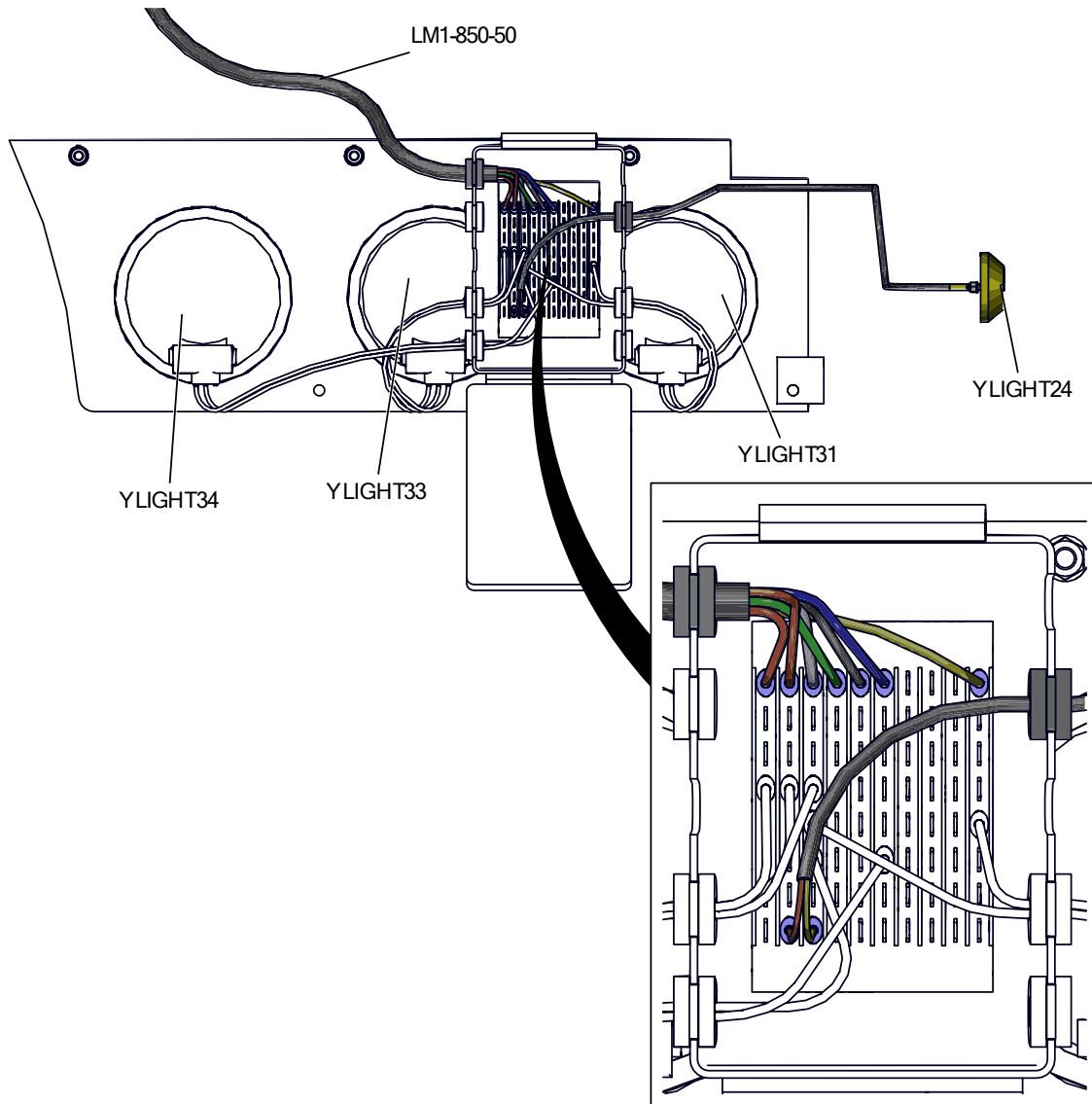


Figure 56: UK/AUS/EU – REAR AND SIDE LIGHT WIRING LHS

LOADMAC Doc No: LM1-970-05

Valid for truck 855-713 to date



**INTENTIONALLY LEFT BLANK**

## CHAPTER2: BONNETS AND GRILL

## CHAPTER2.1: MAIN BONNETS GROMMET / MARKER LIGHT

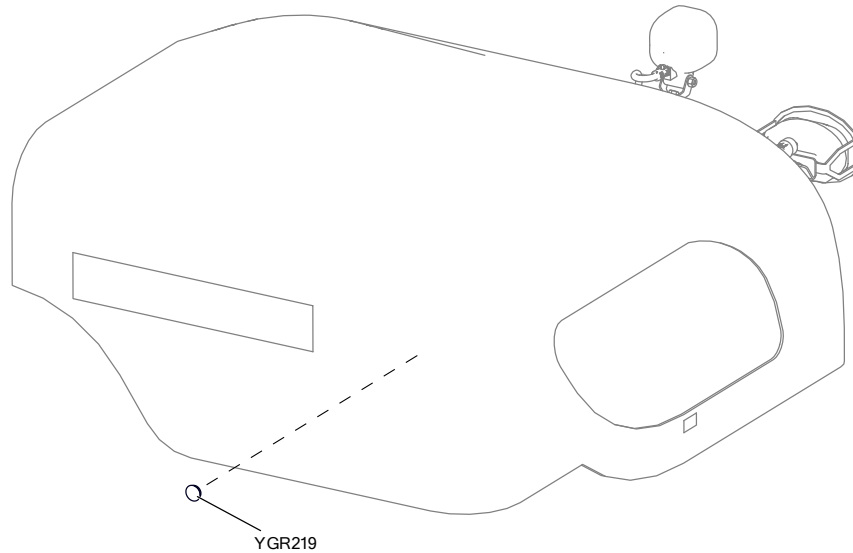


Figure 57: BONNET WITHOUT MARKER LIGHT

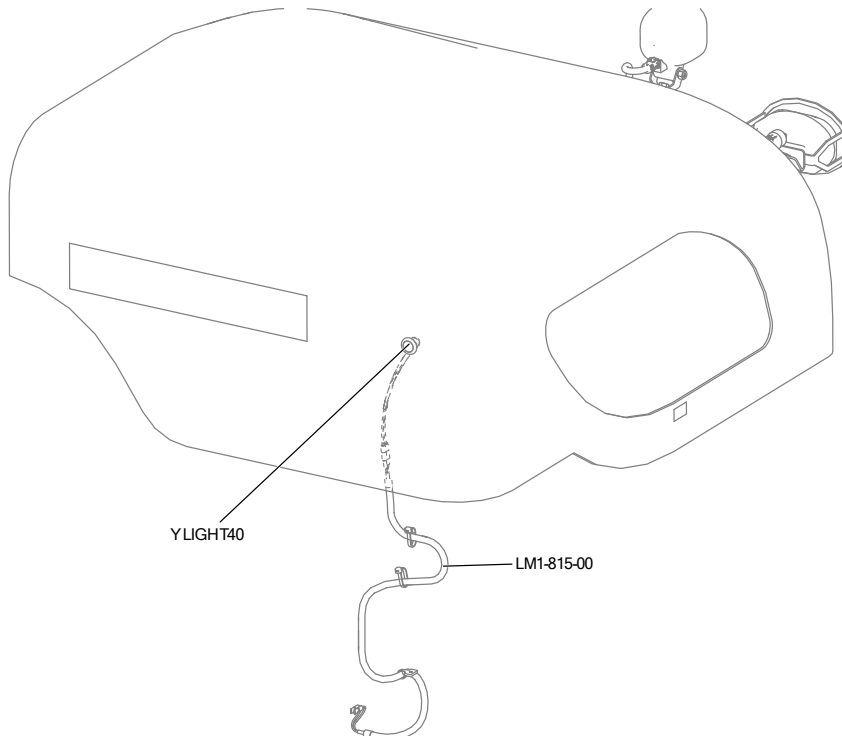


Figure 58: BONNET WITH MARKER LIGHT

## CHAPTER2.2: MAIN BONNET ASSEMBLY TO CHASSIS

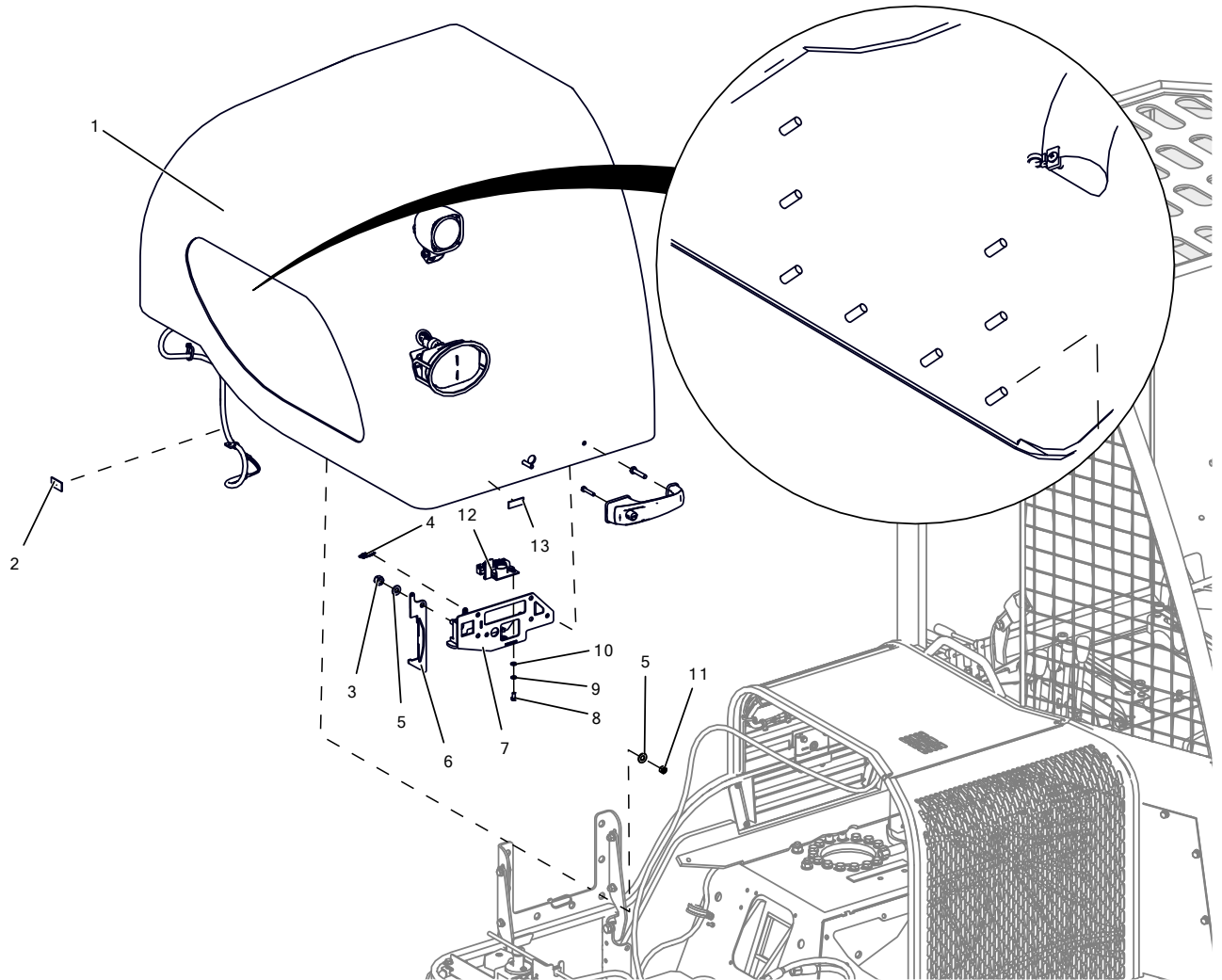


Figure 59: LM1-125-85 BONNET ASSEMBLY TO CHASSIS

ITEM	PART NUMBER	QTY	DESCRIPTION	NOTES
1	LM1-125-10	1	BONNET - GRP	
2	LM1-901-04	1	DECAL - BATTERY ISOLATOR UNDER BONNET	
3	XN10N	1	M10 NYLOC NUT	
4	YSPRING6	1	LATCH SECONDARY.SPRING	
5	XW10AZ	9	M10 FORM A WASHER	
6	LM1-298-02	1	BLM LATCH WA	
7	LM1-298-01	1	BLM MAIN BODY WA	
8	XS06012Z	3	M6 X 12 HEX HEAD SCREW 8.8	
9	XW06SZ	3	M6 SPRING WASHER	
10	XW06AZ	3	M6 FORM A WASHER	
11	XN08N	8	M8 NYLOC NUT	
12	YLATCH60	1	BONNET LOCK, LOWER PART	
13	LM1-901-30	1	DECAL	
14	YHANDLE39	1	BONNET HANDLE	
15	XS08040Z	2	M8 X 40 HEX HEAD SCREW 8.8	
16	XB06035Z	1	M6 X 35 HEX HEAD BOLTS 8.8	

Table 39: LM1-125-85 BONNET ASSEMBLY TO CHASSIS BOM



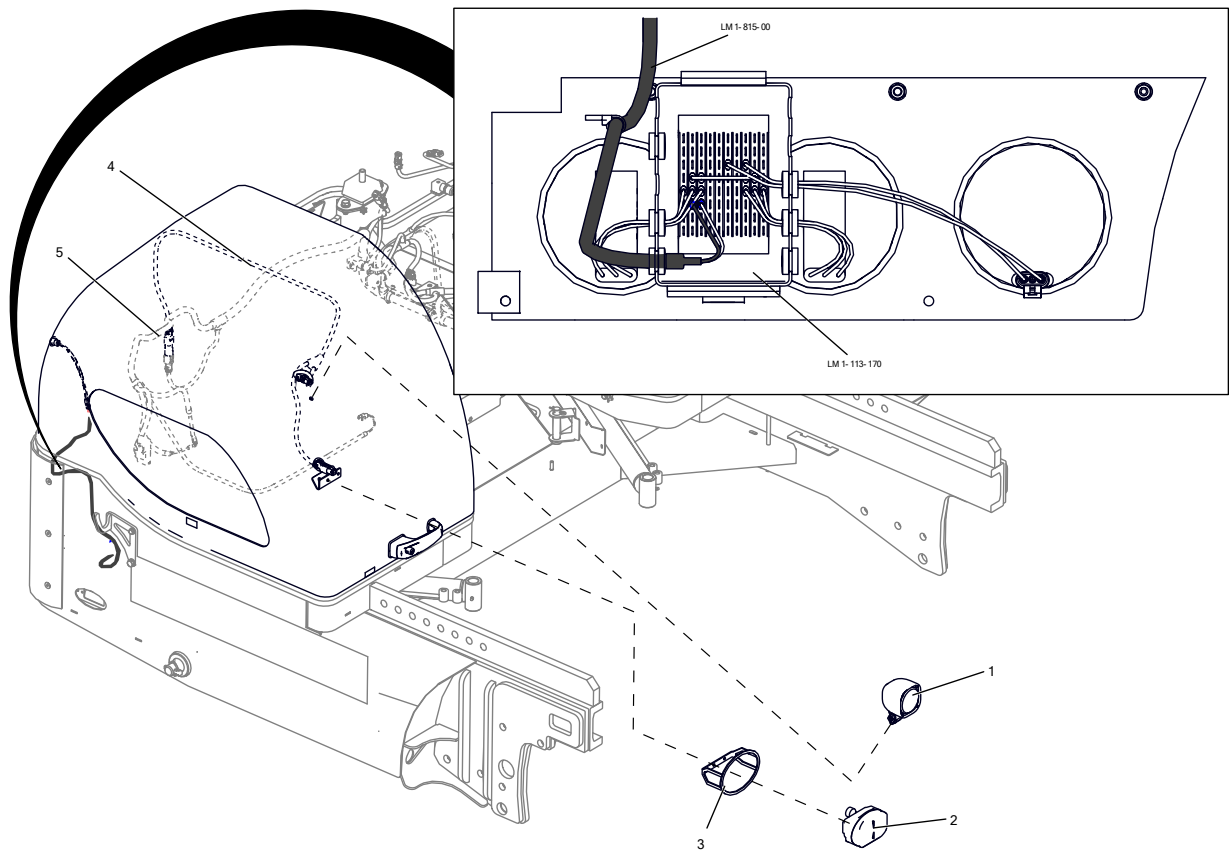


Figure 60: LM1-125-85 BONNET LIGHTS AND WIRING

ITEM	PART NUMBER	QTY	DESCRIPTION	NOTES
1	YLIGHT43	1	LIGHT - LED WORKLIGHT	
2	YLIGHT28	1	LIGHT - SIDE/INDICATOR RH	
3	LM1-712-00	1	LIGHT PROTECTION BRACKET	
4	LM1-810-06	1	BONNET LOOM	
5	LM1-830-01	1	HATZ CHASSIS LOOM	

Table 40: LM1-125-85 BONNET LIGHTS AND WIRING BOM

### CHAPTER2.3: CENTRE BONNET ASSEMBLY

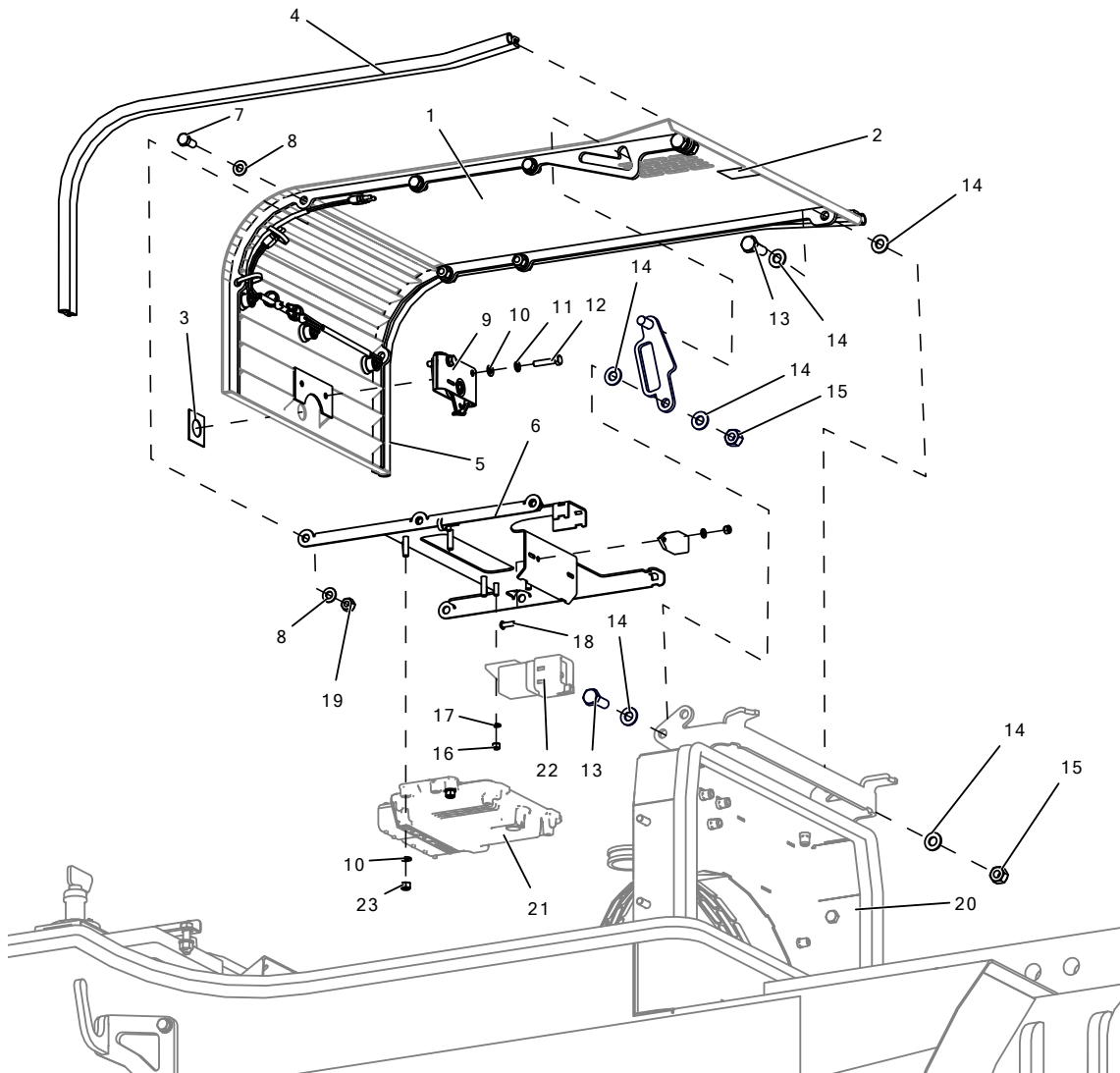


Figure 61: LM1-106-711 CENTRE BONNET COMPLETE WITH MARKER LIGHTS

ITEM	PART NUMBER	QTY	DESCRIPTION	NOTES
1	LM1-106-70	1	LM825 T4F CENTRE BONNET	
2	LM1-901-39	1	CAUTION HOT - DECAL	
3	LM1-901-06	1	TURN TO OPEN - DECAL	
4	LM1-106-179	1	SEAL STRIP 7601501 X 800MM LONG	
5	LM1-106-178	1	SEAL STRIP 7601501 X 800MM LONG	
6	LM1-106-180	1	ECU MOUNT AND LOOM JUNCTION	
7	XS08020Z	5	M8 X 20 HEX HEAD SCREW 8.8	
8	XW08AZ	10	M8 FORM A WASHER	
9	YLATCH13	1	R2-0055-02	
10	XW06AZ	6	M6 FORM A WASHER	
11	XW06SZ	2	M6 SPRING WASHER	
12	XS06030Z	1	M6 X 30 HEX HEAD SCREW 8.8	
13	XS10030Z	3	M10 X 30 HEX HEAD SCREW 8.8	
14	XW10AZ	9	M10 FORM A WASHER	
15	XN10N	3	M10 NYLOC NUT	
16	XN05N	1	M5 NYLOC NUT	
17	XW05AZ	1	M5 FORM A WASHER	
18	XBUT05016SKTZB	1	M5 X 16 BUTTON HEAD SCREW 8.8	
19	XN08N	5	M8 NYLOC NUT	
20	LM1-606-80	1	RADIATOR SHROUD WITH FIXINGS	
21	02578600_DMU	1	ENGINE MANAGEMENT UNIT (ECU)	
22	HATZ GLOW PLUG CONTROL UNIT	1	GLOW PLUG UNIT FOR HATZ ENGINE	
23	XN06N	4	M6 NYLOC NUT	

Table 41: LM1-106-711 CENTRE BONNET COMPLETE WITH MARKER LIGHTS BOM

## CHAPTER 2.4: CENTRE BONNET MARKER LIGHTS

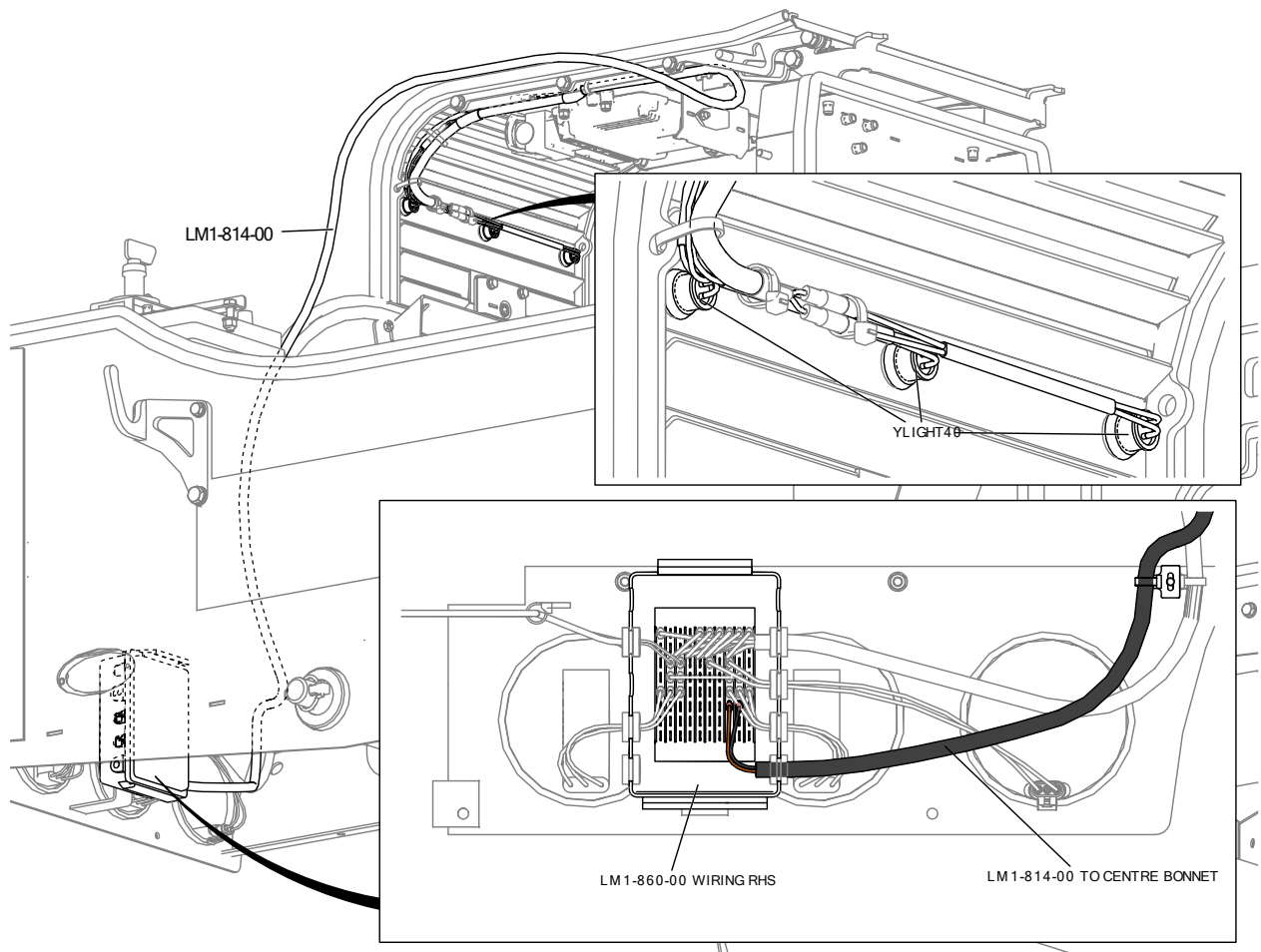


Figure 62: LM1-814-00 TO LM1-860-00 RHS JUNCTION BOX

## CHAPTER2.5: CENTRE GRILL ASSEMBLY

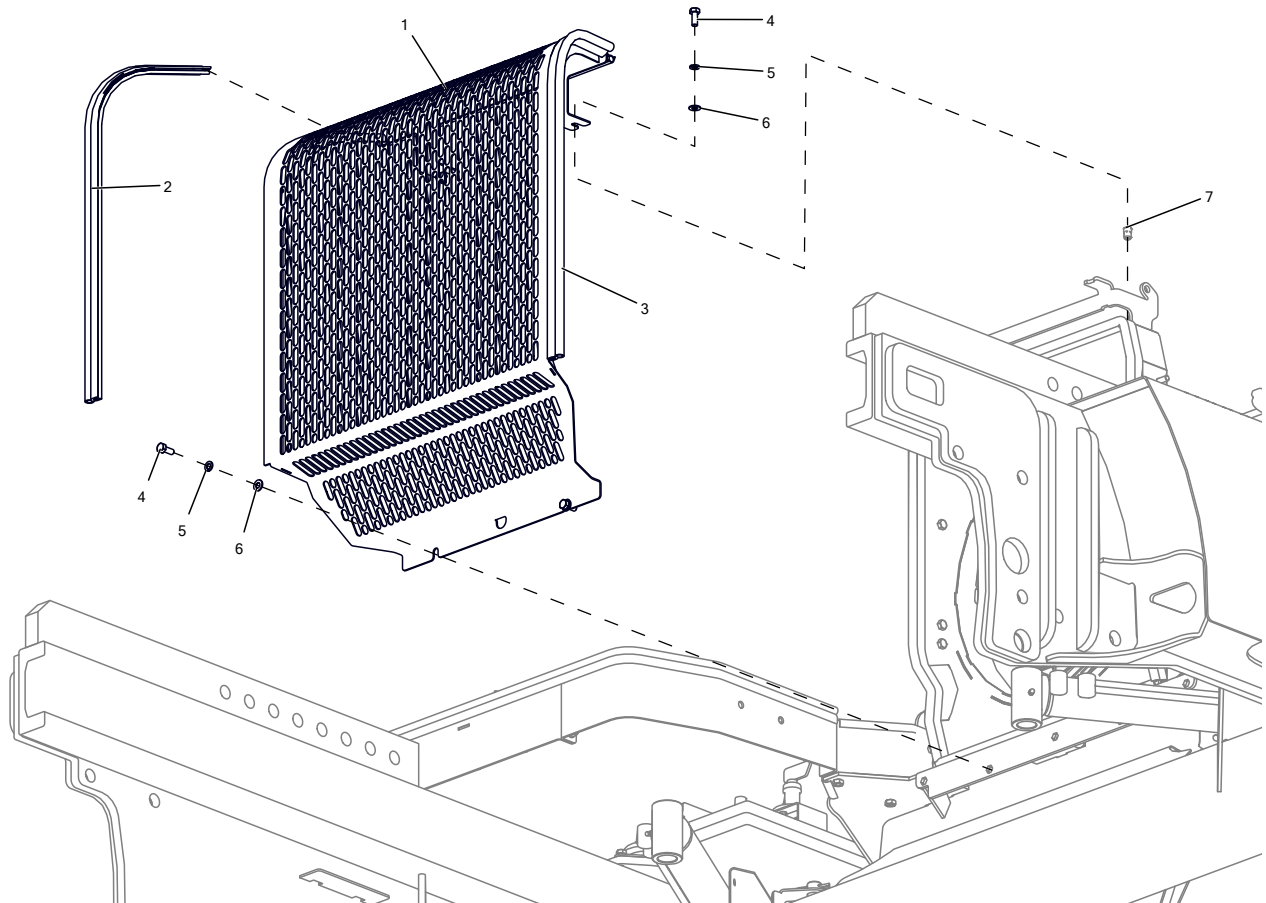


Figure 63: LM1-106-300 CENTRE GRILL COMPLETE

ITEM	PART NUMBER	QTY	DESCRIPTION	NOTES
1	LM1-106-160	1	UNIVERSAL GRILL	
2	LM1-106-172	1	SEAL STRIP 7601501 X 670MM LONG	
3	LM1-106-171	1	SEAL STRIP 7601501 X 670MM LONG	
4	XS08020Z	4	M8 X 20 HEX HEAD SCREW 8.8	
5	XW08SZ	4	M8 SPRING WASHER	
6	XW08AZ	4	M8 FORM A WASHER	
7	XNS08H	2	M8 HEX NUTSERT	

Table 42: LM1-106-300 CENTRE GRILL COMPLETE BOM

## CHAPTER2.6: 4-WAY MAST MONITOR ON GRILL ASSEMBLY

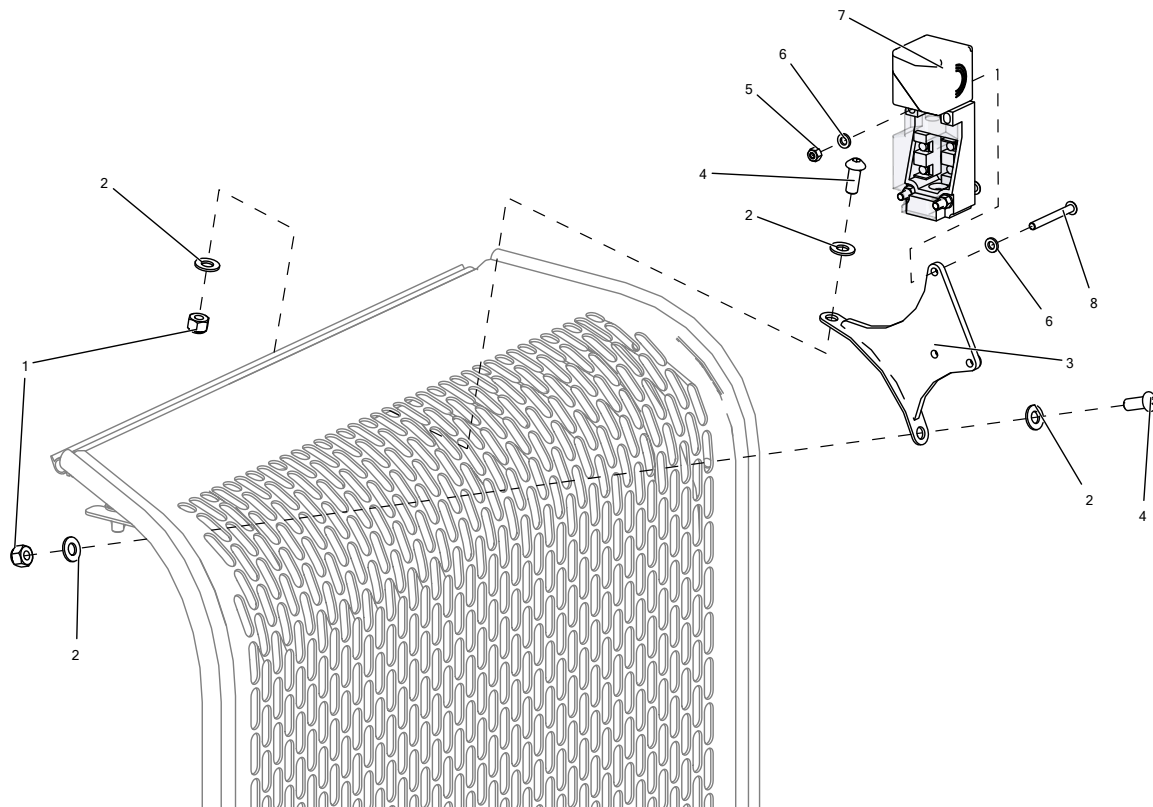


Figure 64: LM1-106-310 4-WAY SENSOR ON GRILL ASSEMBLY

ITEM	PART NUMBER	QTY	DESCRIPTION	NOTES
1	XN08N	2	M8 NYLOC NUT	
2	XW08AZ	4	M8 FORM A WASHER	
3	LM1-106-200	1	4-WAY SENSOR MOUNT	
4	XBUT08020SKTZB	2	M8 X 20 BUTTON HEAD SCREW 8.8	
5	XN05N	3	M5 NYLOC NUT	
6	XW05AZ	6	M5 FORM A WASHER	
7	YSENSOR2	1	40MM MAST POSITION SENSOR	
8	XBUT05045SKTZB	3	M5 X 45 BUTTON HEAD SCREW 8.8	

Table 43: LM1-106-310 4-WAY SENSOR ON GRILL ASSEMBLY BOM

## CHAPTER 2.7: 4-WAY MAST MONITOR PICKUP PLATES ON 3<sup>RD</sup> STAGE MAST

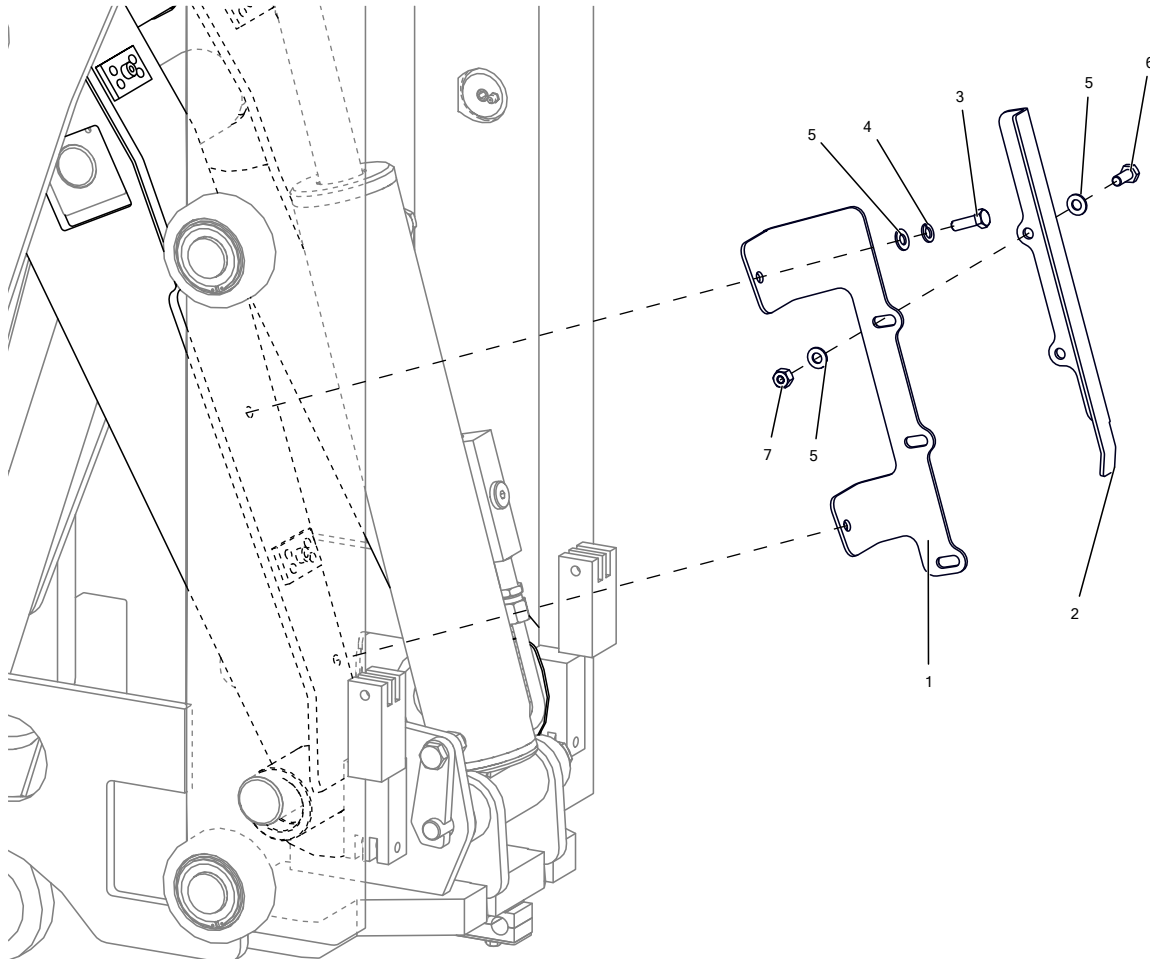


Figure 65: LM1-296-10 4-WAY MAST MONITOR PICKUP PLATE ASSEMBLY:

ITEM	PART NUMBER	QTY	DESCRIPTION	NOTES
1	LM1-296-01	1	MAST MONITOR MAST BRACKET	
2	LM1-296-06	1	ADJUSTABLE SENSOR PICKUP	
3	XS08025Z	2	M8 X 25 HEX HEAD SCREW 8.8	
4	XW08SZ	2	M8 SPRING WASHER	
5	XW08AZ	6	M8 FORM A WASHER	
6	XS08020Z	2	M8 X 20 HEX HEAD SCREW 8.8	
7	XN08N	2	M8 NYLOC NUT	

Figure 66: LM1-296-10 4-WAY MAST MONITOR PICKUP PLATE ASSEMBLY: - BOM

**INTENTIONALLY LEFT BLANK**



## CHAPTER3: WHEEL ASSEMBLIES

## CHAPTER3.1: REAR WHEEL ASSEMBLY UNIVERSAL

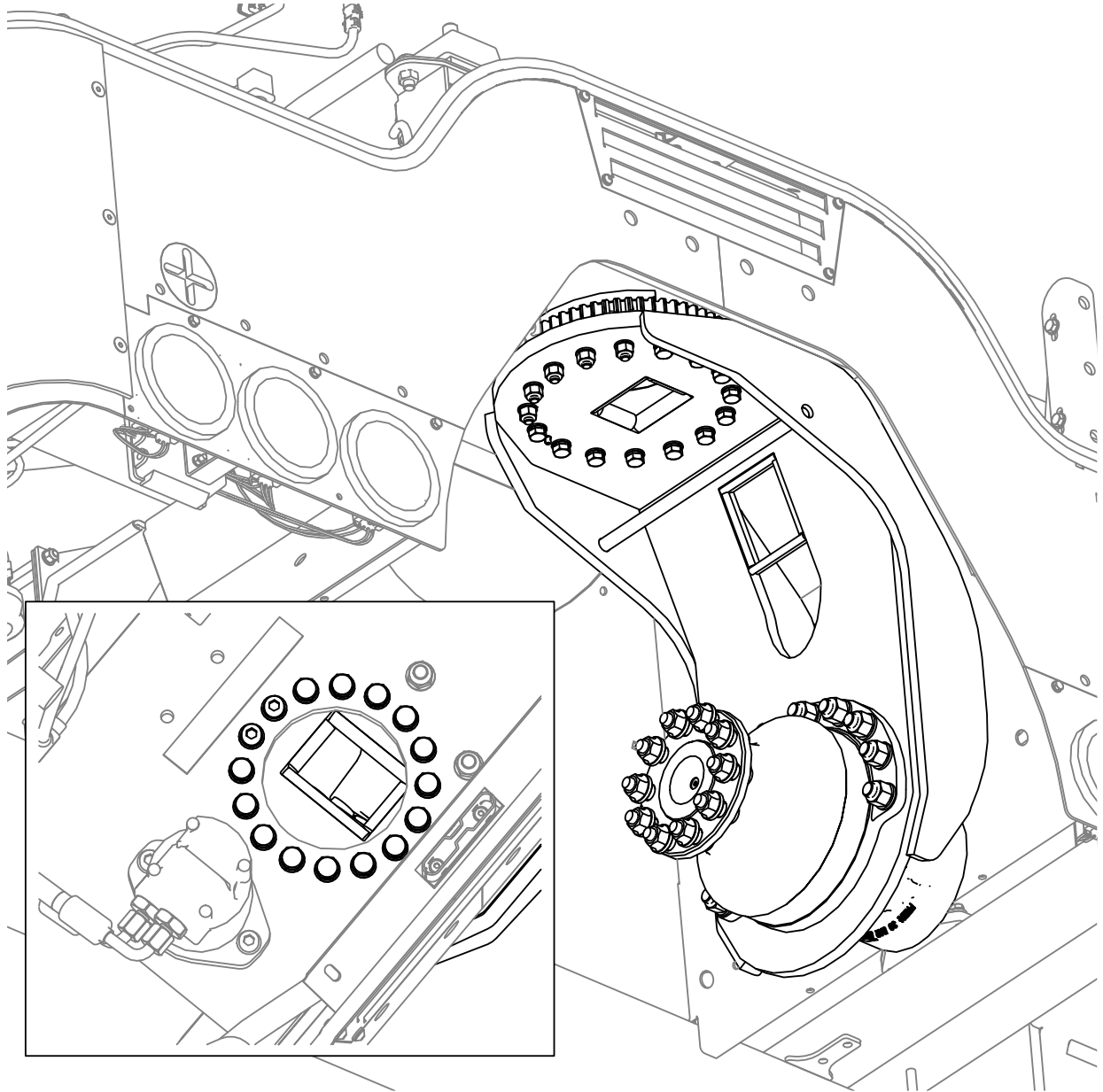


Figure 67: LM1-31-00 USA REAR WHEEL ASSEMBLY - GENERIC

**INTENTIONALLY LEFT BLANK**

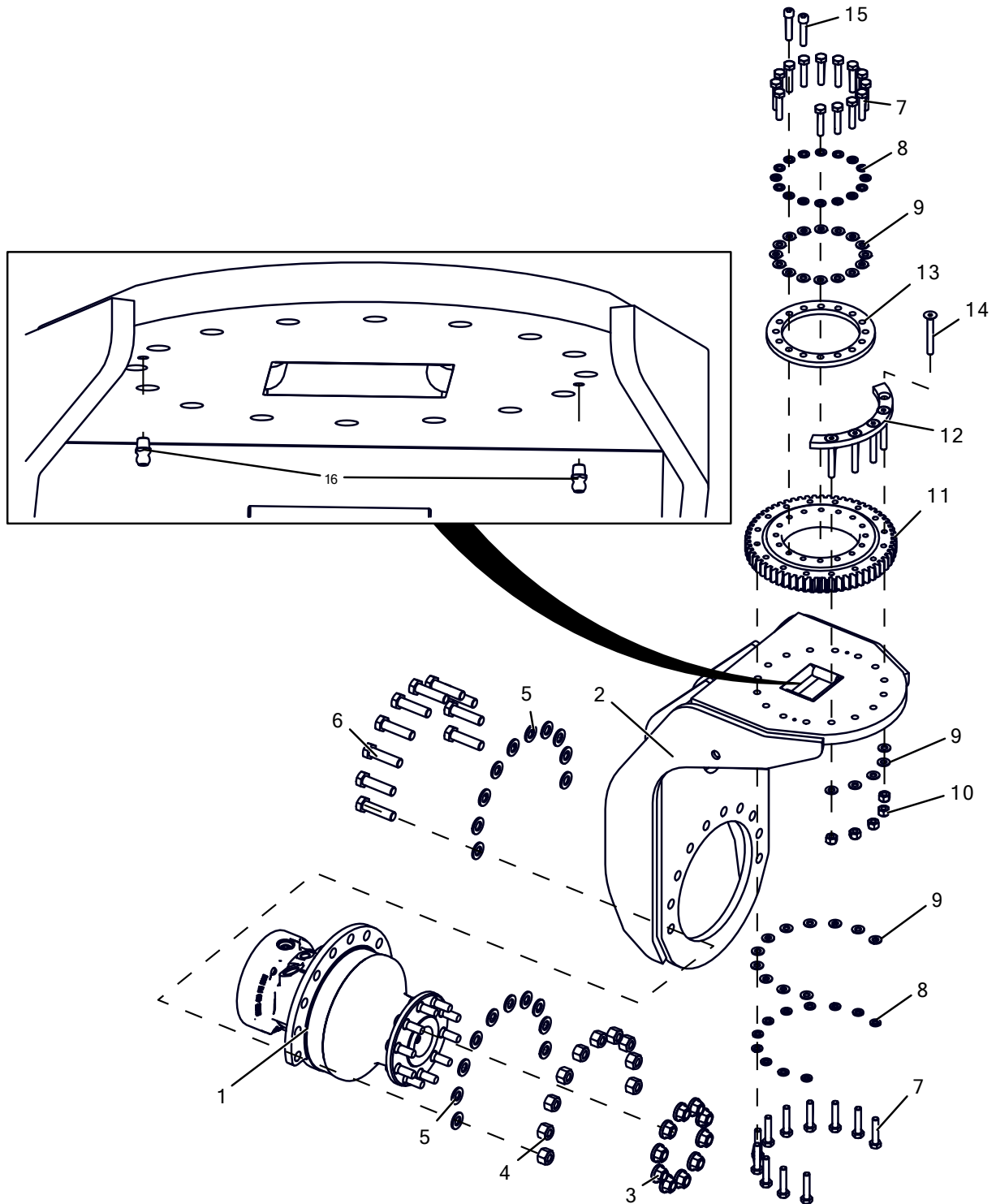


Figure 68: LM1-31-00 USA REAR WHEEL ASSEMBLY - GENERIC – DETAIL

ITEM	PART NUMBER	QTY	DESCRIPTION	NOTES
1	YMOTOR2	1	REAR WHEEL MOTOR BRAKED (750CC)	
2	LM1-302-00	1	REAR ARM WELD ASSEM	
3	YWHLNUT1	10	M14 WHEEL NUT SET	
4	XN16N	10	M16 NYLOC NUT	
5	XW16AZ	20	M16 FORM A WASHER	
6	XS16060Z	10	M16 X 60 HEX HEAD SCREW 8.8	
7	XS10050Z	25	M10 X 50 HEX HEAD SCREW 8.8	
8	XW10SZ	27	M10 SPRING WASHER	
9	XW10AZ	32	M10 FORM A WASHER	
10	XN10N	5	M10 NYLOC NUT	
11	LM1-300-03	1	REAR WHEEL SLEWING RING	
12	LM1-300-02	1	REAR STEERING LIMIT	
13	LM1-300-05	1	SPACER - SLEWING RING	
14	XSK10020SKTZ	5	M10 X 80 CSUNK SCREW 8.8	
15	XSC10050Z	2	M10 X 50 CAP HEAD SCREW 12.9 ZINC PLATED	
16	YGN0600	2	YGN0600 GREASE NIPPLE	

Table 44: LM1-31-00 USA REAR WHEEL ASSEMBLY – DETAIL - BOM

## CHAPTER3.2: REAR WHEEL HYDRAULICS 2-WAY

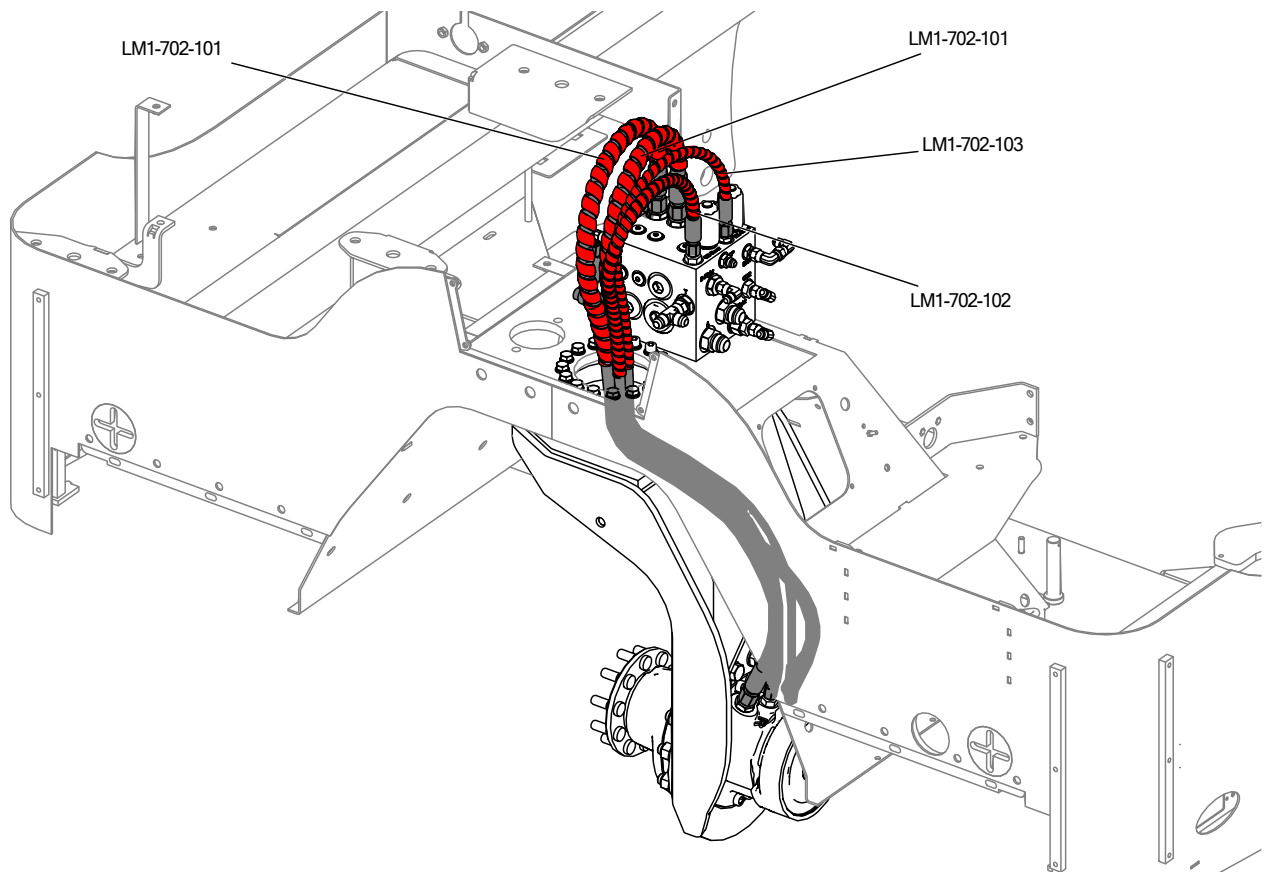
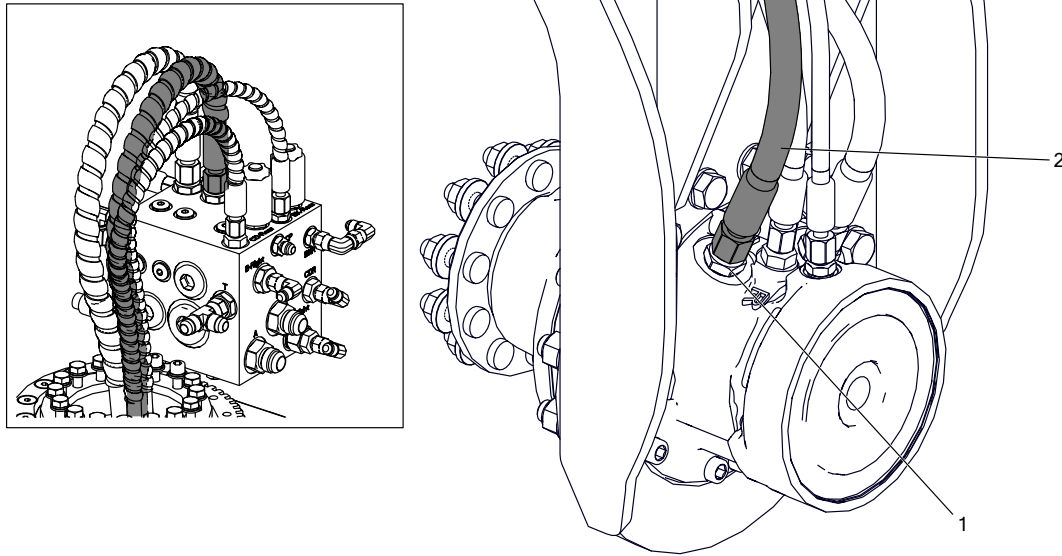


Figure 69: LM1-31-00 2-WAY REAR WHEEL LAYOUT

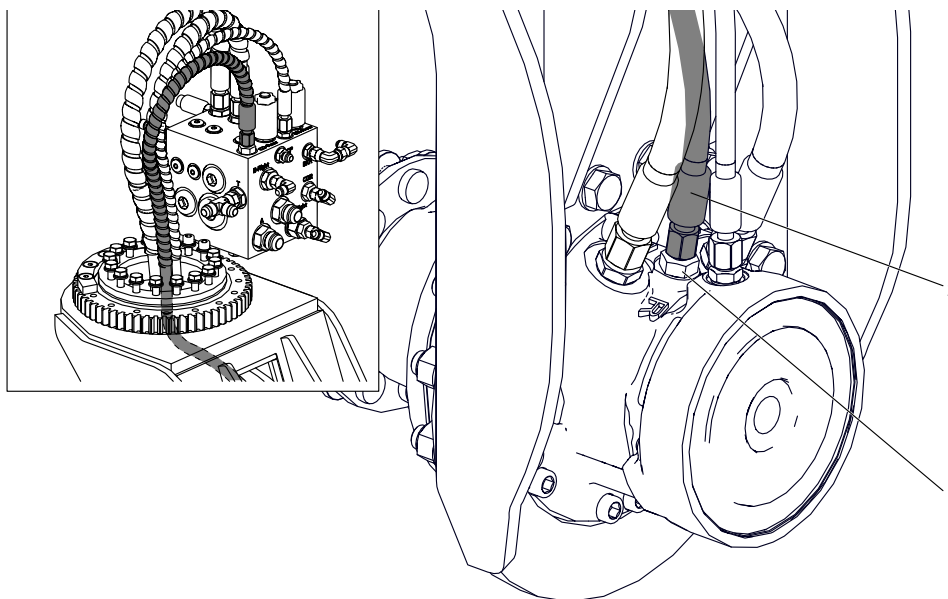


Valid for truck 855-713 to date



ITEM	PART NUMBER	QTY	DESCRIPTION	METRIC HOSE EQUIVALENTS
1	YHA1.2-3.4J	1	1/2" BSP M W/ SEAL TO 3/4J-16 M	YHA1.2-16S
2	LM1-700-J202	1	JIC "A/B-Rear" Block to Rear Motor	LM1-700-M202

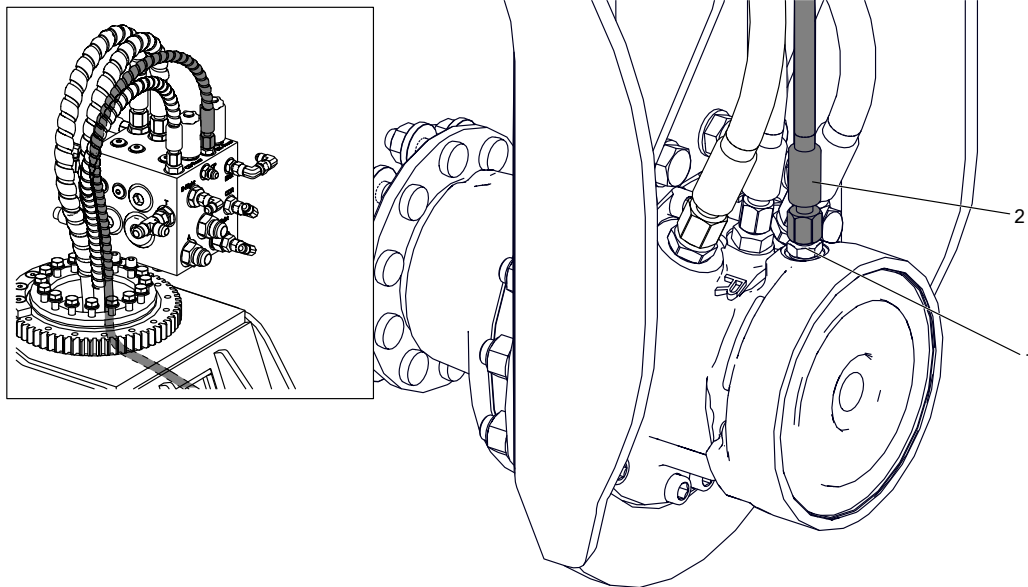
Figure 70: LM1-700-J202 TO YBLOCK18 [B-REAR]



ITEM	PART NUMBER	QTY	DESCRIPTION	METRIC HOSE EQUIVALENTS
1	YHA3.8-9.16J	1	3/8" BSP M W/ SEAL TO 9/16J-18 M	YHA1.2-16S
2	LM1-700-J203	1	JIC "CD-Rear" Block to Rear Motor	LM1-700-M203

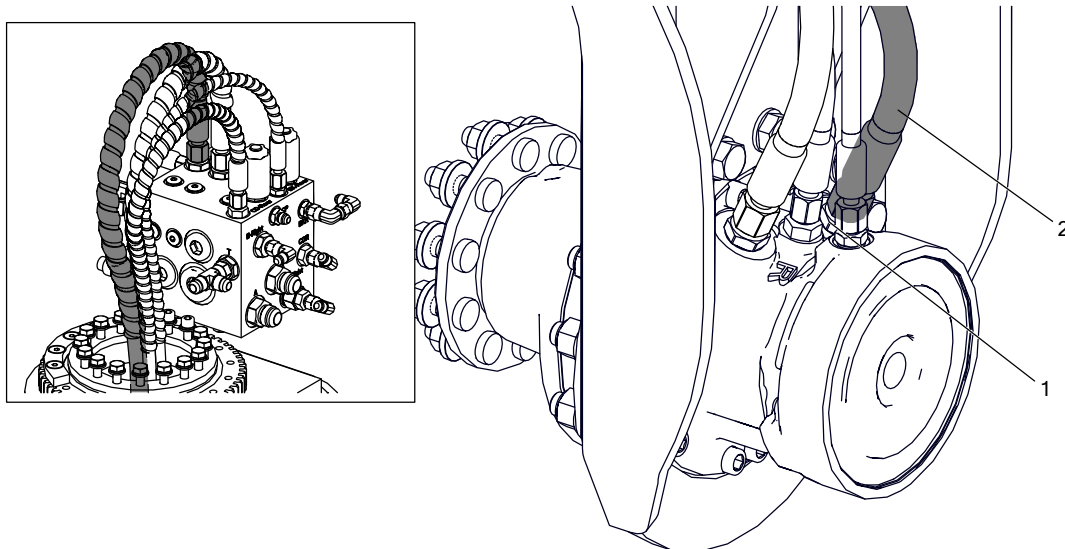
Figure 71: LM1-700-J203 TO YBLOCK18 [CD-REAR]

Valid for truck 855-713 to date



ITEM	PART NUMBER	QTY	DESCRIPTION	METRIC HOSE EQUIVALENTS
1	YHA1.4-9.16J	1	1/4" BSP M W/ INTEGRAL SEAL TO 9/16J-18 M	YHA1.4-8L
2	LM1-700-J204	1	JIC "BK-Rear" Block to Rear Motor	LM1-700-M204

Figure 72: LM1-700-J204 TO YBLOCK18 [BK-REAR] CAMERA



ITEM	PART NUMBER	QTY	DESCRIPTION	METRIC HOSE EQUIVALENTS
1	YHA1.2-3.4J	1	1/2" BSP M W/ SEAL TO 3/4J-16 M	YHA1.2-16S
2	LM1-700-J202	1	JIC "A/B-Rear" Block to Rear Motor	LM1-700-M202

Figure 73: LM1-700-J202 TO YBLOCK18 [A-REAR]

## CHAPTER3.3: REAR WHEEL HYDRAULICS 4-WAY

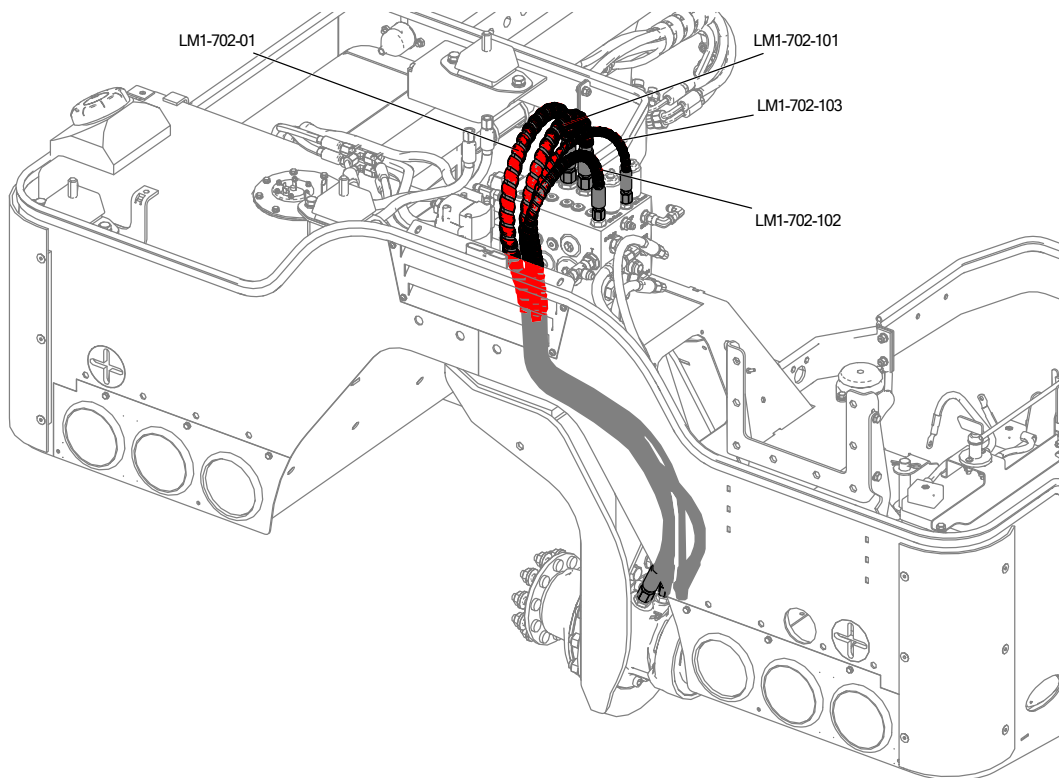
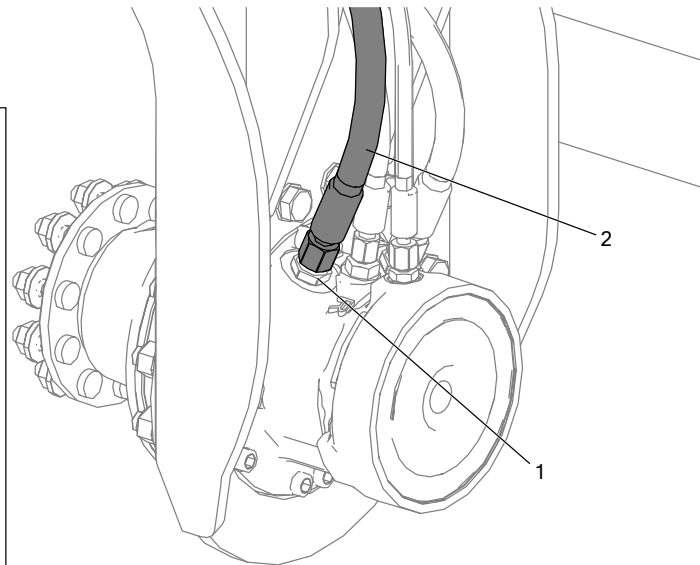
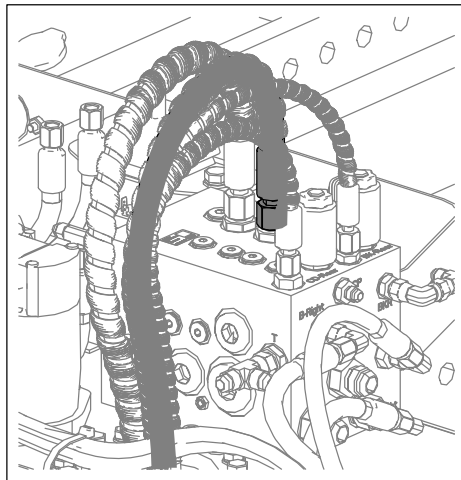
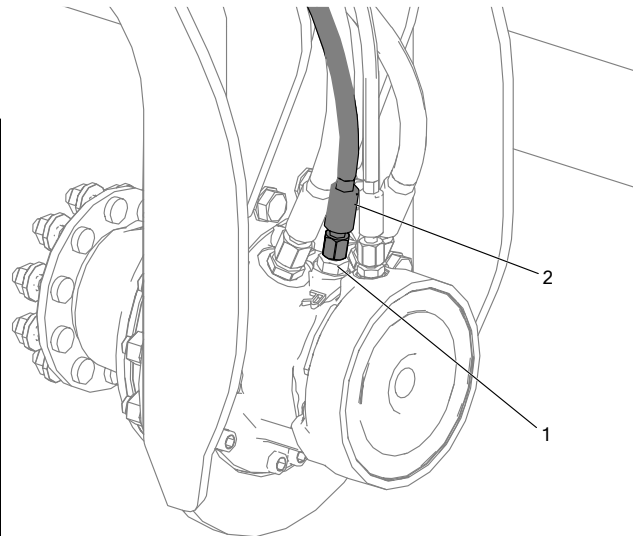
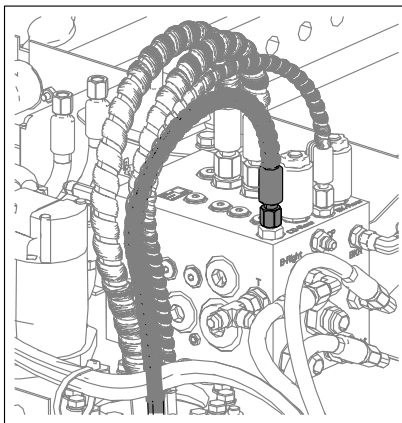


Figure 74 LM1-31-00 4-WAY REAR WHEEL LAYOUT



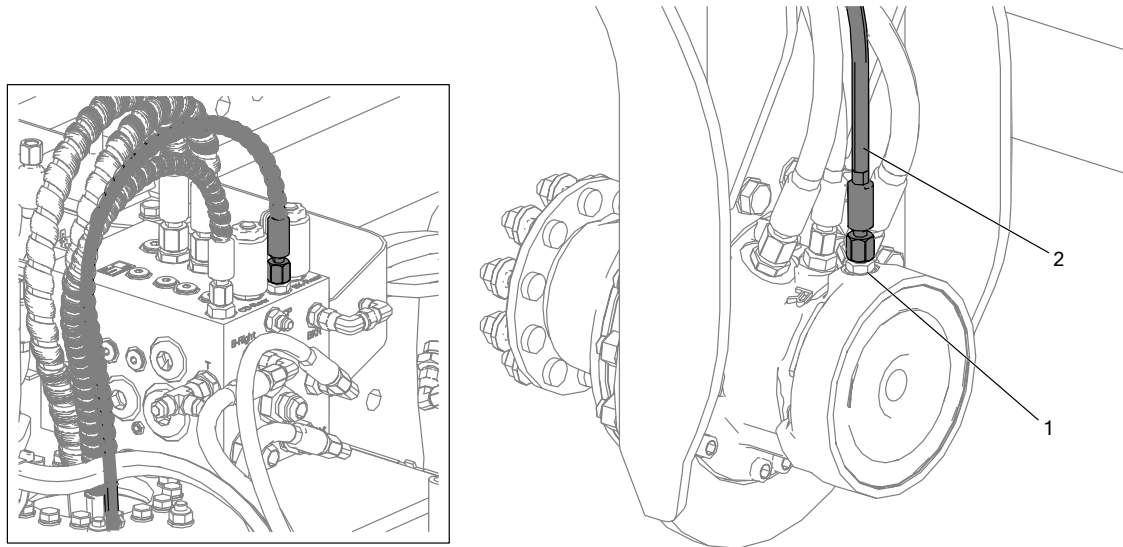
ITEM	PART NUMBER	QTY	DESCRIPTION	METRIC HOSE EQUIVALENTS
1	YHA1.2-3.4J	1	1/2" BSP M W/ SEAL TO 3/4J-16 M	YHA1.2-16S
2	LM1-700-J202	1	JIC "A/B-Rear" Block to Rear Motor	LM1-700-M202

Figure 75: LM1-700-J202 TO YBLOCK3 [B-REAR]



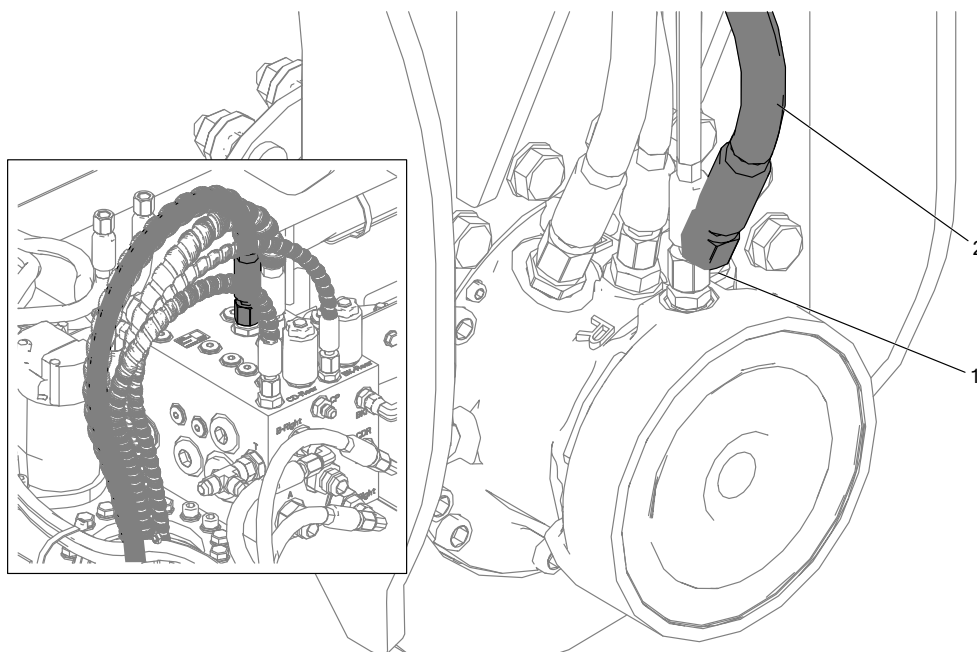
ITEM	PART NUMBER	QTY	DESCRIPTION	METRIC HOSE EQUIVALENTS
1	YHA1.2-3.4J	1	1/2" BSP M W/ SEAL TO 3/4J-16 M	YHA3.8-12L
2	LM1-700-J203	1	JIC "CD-Rear" Block to Rear Motor	LM1-700-M203

Figure 76: LM1-700-J203 TO YBLOCK3 [CD-REAR]



ITEM	PART NUMBER	QTY	DESCRIPTION	METRIC HOSE EQUIVALENTS
1	YHA1.2-3.4J	1	1/2" BSP M W/ SEAL TO 3/4J-16 M	YHA1.2-16S
2	LM1-700-J202	1	JIC "A/B-Rear" Block to Rear Motor	LM1-700-M202

Figure 77: LM1-700-J204 TO YBLOCK3 [BK-REAR]



ITEM	PART NUMBER	QTY	DESCRIPTION	METRIC HOSE EQUIVALENTS
1	YHA1.2-3.4J	1	1/2" BSP M W/ SEAL TO 3/4J-16 M	YHA1.2-16S
2	LM1-700-J202	1	JIC "A/B-Rear" Block to Rear Motor	LM1-700-M202

Figure 78: LM1-700-J202 TO YBLOCK3 [A-REAR]

## CHAPTER3.4: FRONT WHEEL ASSEMBLY AND HYDRAULICS 2-WAY

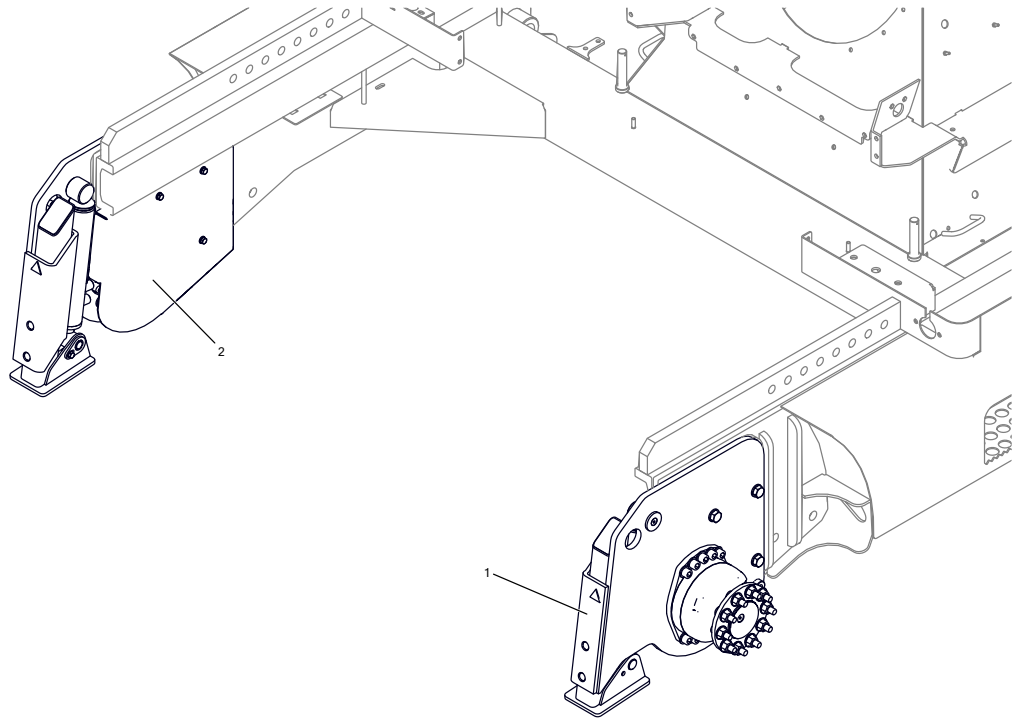


Figure 79: FRONT WHEEL KIT

ITEM	PART NUMBER	TERRITORY	QTY	DESCRIPTION	NOTES
1	LM1-440-20	USA/CAN	1	2-WAY LH ASSEMBLY PLATE – SHORT	
	LM1-440-10	AUS		2-WAY LH ASSEMBLY PLATE – SHORT	
	LM1-440-00	UK		2-WAY LH ASSEMBLY PLATE – LONG	
2	LM1-441-20	USA/CAN	1	2-WAY RH ASSEMBLY PLATE – SHORT	
	LM1-441-10	AUS		2-WAY RH ASSEMBLY PLATE – SHORT	
	LM1-441-00	UK		2-WAY RH ASSEMBLY PLATE – LONG	

Table 45: LM1-40-20 2-WAY SHORT USA - CAN FRONT WHEEL KIT – BOM



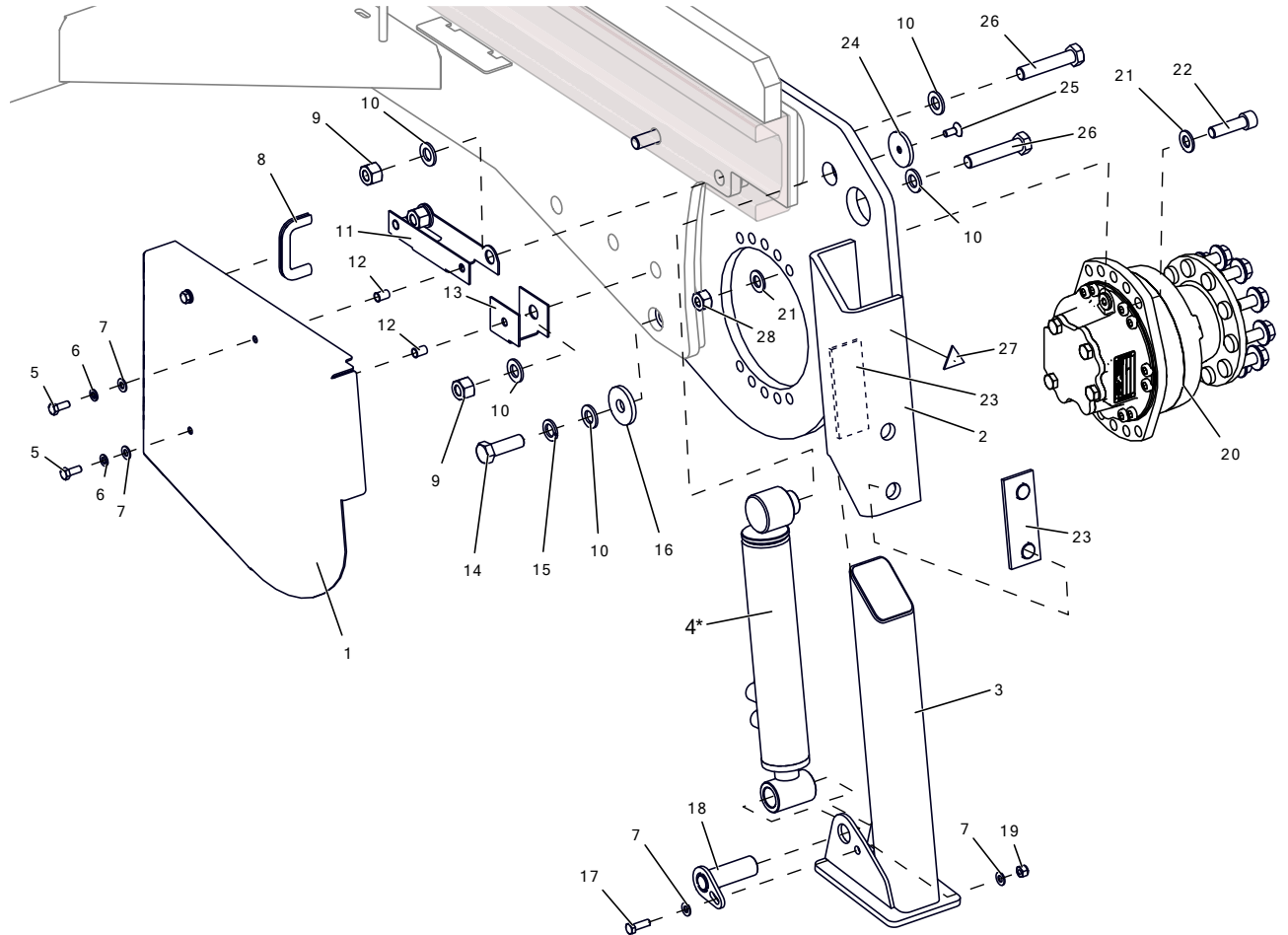
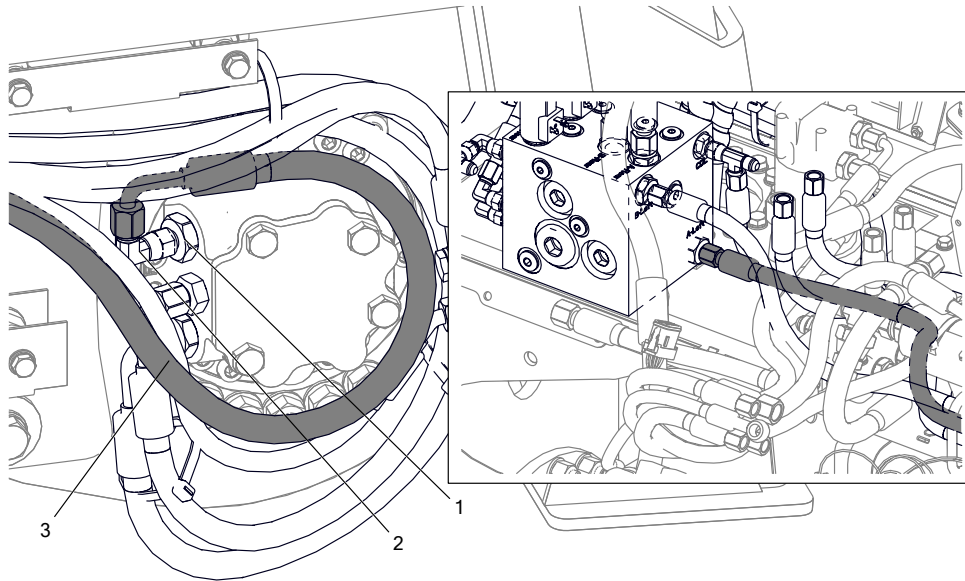


Figure 80: LM1-440-20 LHS FRONT WHEEL ASSEMBLY

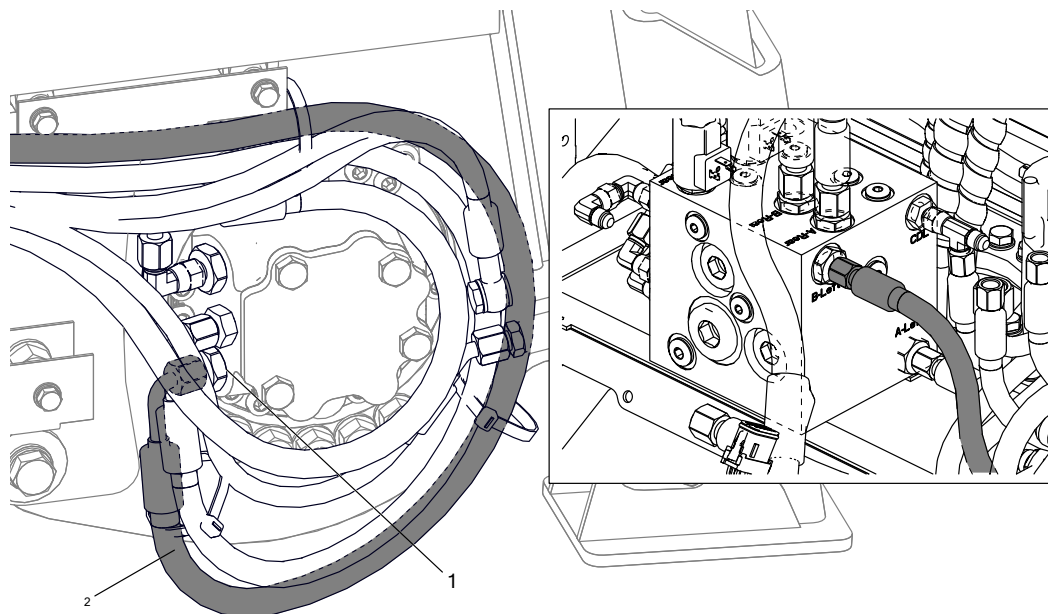
ITEM	PART NUMBER	TERRITORY	QTY	DESCRIPTION	NOTES
1	LM1-472-04		1	2 WAY WHEEL COVER LH	
2	LM1-460-00 LM1-455-00 LM1-450-00	USA/CAN AUS UK	1	WHEEL PLATE WELD ASSEMBLY LH 2 WAY SHORT 2 WAY SHORT 2 WAY LONG	
3	LM1-357-00		1	STABILIZER LEG	
4*	LM1-350-10		1	STABILIZER CYLINDER LH *YSEALKIT6 CAN BE SUPPLIED SEPERATELY	
5	XS08020Z		3	M8 X 20 HEX HEAD SCREW	
6	XW08SZ		3	M8 SPRING WASHER	
7	XW08AZ		5	M8 FORM A WASHER	
8	LM1-472-11		1	YSEALSTRIP30 195MM LONG	
9	XN16N		3	M16 NYLOC NUT	
10	XW16AZ		7	M16 FORM A WASHER	
11	LM1-472-01		1	WHEEL COVER MOUNT	
12	XNS08		3	M8 NUTSERT	
13	LM1-472-02		1	WHEEL COVER MOUNT SMALL	
14	XB16050Z		1	M16 X 50 HEX HEAD SCREW 8.8	
15	XW16SZ		1	M16 SPRING WASHER	
16	LM1-352-08		1	SPECIAL WASHER - 4 WAY CLAMP	
17	XS08025Z		1	M8 X 25 HEX HEAD SCREW 8.8	
18	LM1-350-06		1	STABILIZER CYLINDER PIN	
19	XN08N		1	M8 NYLOC NUT	
20	YMOTOR24		1	FRONT WHEEL MOTOR NON-BRAKED 364CC/REV	
21	XW14AZ		20	M14 FORM A WASHER	
22	XS14050Z		10	M14 X 50 HEX HEAD SCREW 8.8	
23	YPAD1		2	WEAR PAD	
24	LM1-350-08		1	RETAINING WASHER	
25	XCSK08020SKTZB		1	M8 X 20 CSUNK SCREW 8.8	
26	XS16080Z		3	M16 X 80 HEX HEAD SCREW 8.8	
27	LM1-901-32		1	DECAL - WARNING PINCH POINT	
28	XN14N		10	M14 NYLOC NUT	

Table 46: LM1-440-20 LHS FRONT WHEEL ASSEMBLY - BOM



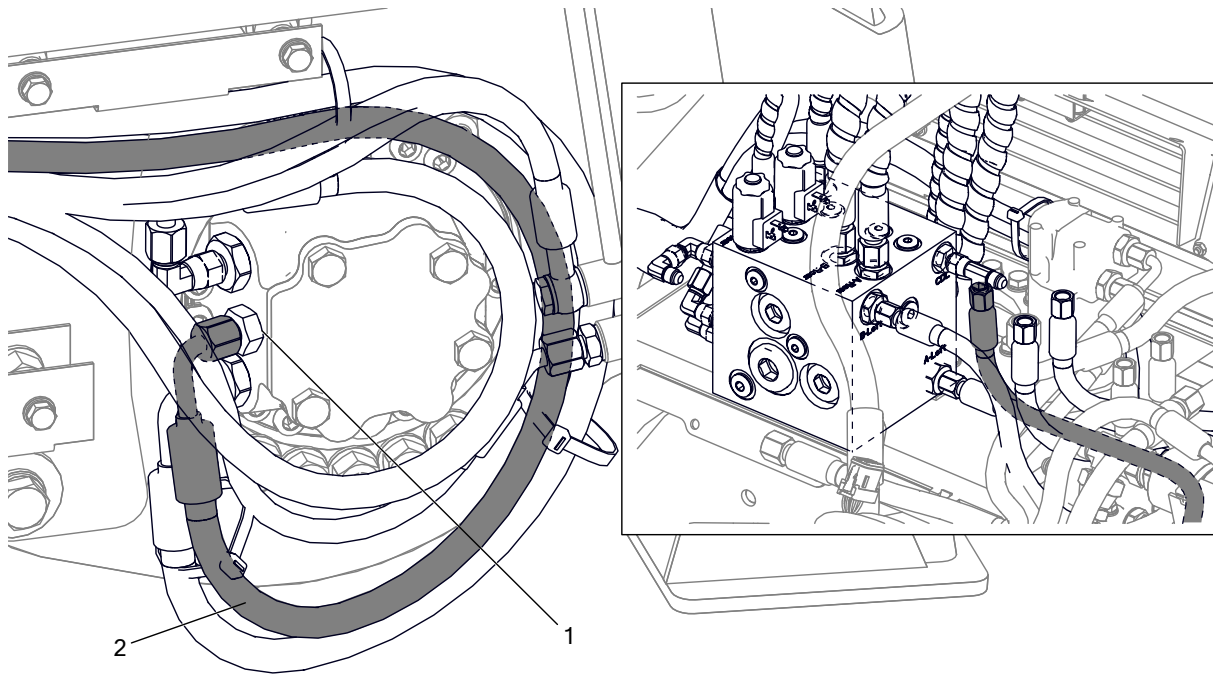
ITEM	PART NUMBER	QTY	DESCRIPTION	METRIC HOSE EQUIVALENTS
1	YHA1.2-9.16J	1	1/2" BSP M W/ SEAL TO 9/16J-18 M	YHA1.2-12L
2	YHA9.16JMFE	1	9/16J-18 MF SWIVLE ELBOW	YHA12LMFE
3	LM1-700-J215	1	JIC Front Motor LHS to Block "A/B-Left"	LM2-700-M215

Figure 81: LM1-440-20 LHS FRONT HYDRAULICS - LM1-700-J215 TO YBLOCK18 [A-LEFT]



ITEM	PART NUMBER	QTY	DESCRIPTION	METRIC HOSE EQUIVALENTS
1	YHA1.2-9.16J	1	1/2" BSP M W/ SEAL TO 9/16J-18 M	YHA1.2-12L
2	LM1-700-J215	1	JIC Front Motor LHS to Block "A/B-Left"	LM1-700-M215

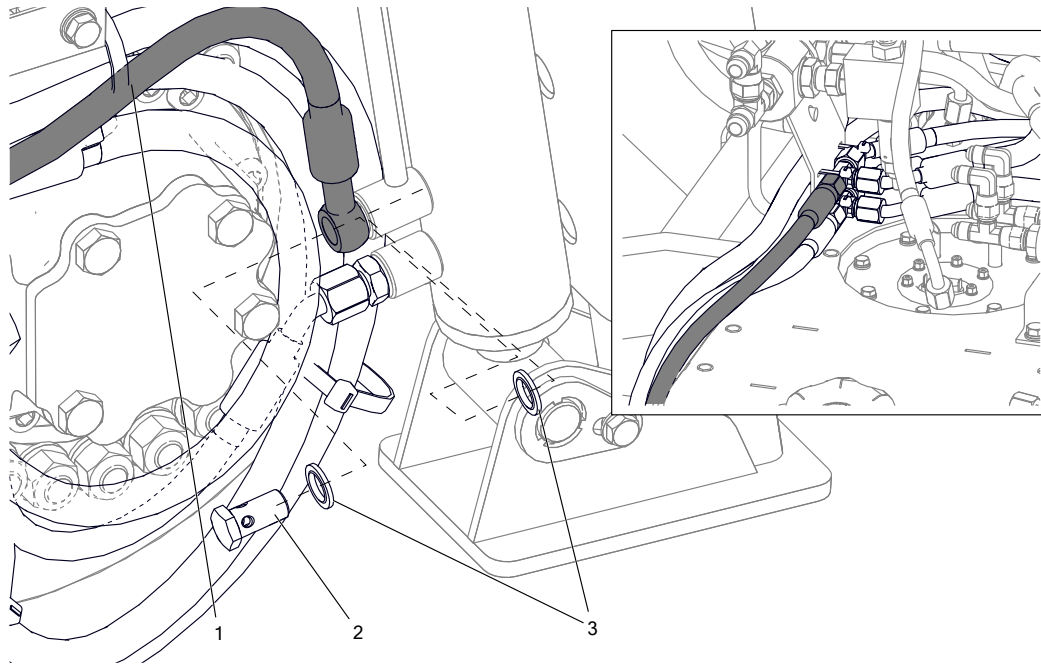
Figure 82: LM1-440-20 LHS FRONT HYDRAULICS - LM1-700-J215 TO YBLOCK18 [B-LEFT]



ITEM	PART NUMBER	QTY	DESCRIPTION	METRIC HOSE EQUIVALENTS
1	YHA3.8-9.16J	1	3/8" BSP M W/ SEAL TO 9/16J-18 M	YHA1.2-12L
2	LM1-700-J216	1	JIC "CDL" Block Tee to Front Motor LHS	LM1-700-M216

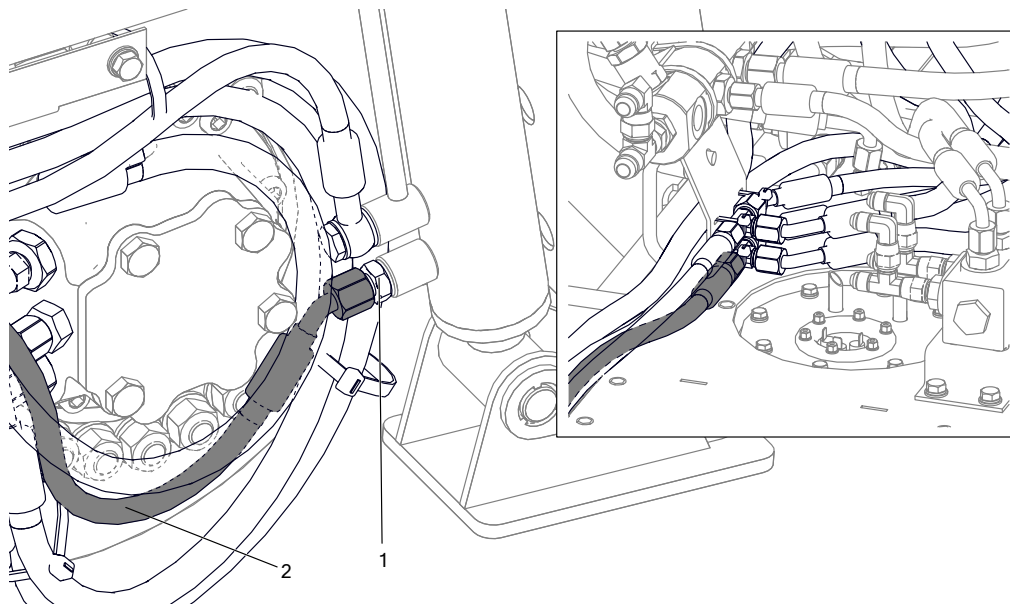
Figure 83: LM1-440-20 LHS FRONT HYDRAULICS - LM1-700-J216

Valid for truck 855-713 to date



ITEM	PART NUMBER	QTY	DESCRIPTION	METRIC HOSE EQUIVALENTS
1	LM1-700-J217	1	JIC LHS Stab-Leg Tee-Block to Stab-Leg Cylinder Top Port	LM1-700-M217
2	YHA1/4BB	1	1/4" BSP BANJO BOLT	-
3	YHS1.2D	2	1/2" BSP DOWTY SEAL	-

Figure 84: LM1-350-10 STABILISER LEG LHS TOP PORT



ITEM	PART NUMBER	QTY	DESCRIPTION	METRIC HOSE EQUIVALENTS
1	YHA1.4-9.16J	1	1/4" BSP M W/ INTEGRAL SEAL TO 9/16J-18 M	YHA1.4-8L
2	LM1-700-J219	1	JIC LHS Stab-Leg Tee-Block to Stab-Leg Cylinder Bottom Port	LM1-700-M219

Figure 85: LM1-350-10 STABILISER LEG LHS BOTTOM PORT

**INTENTIONALLY LEFT BLANK**

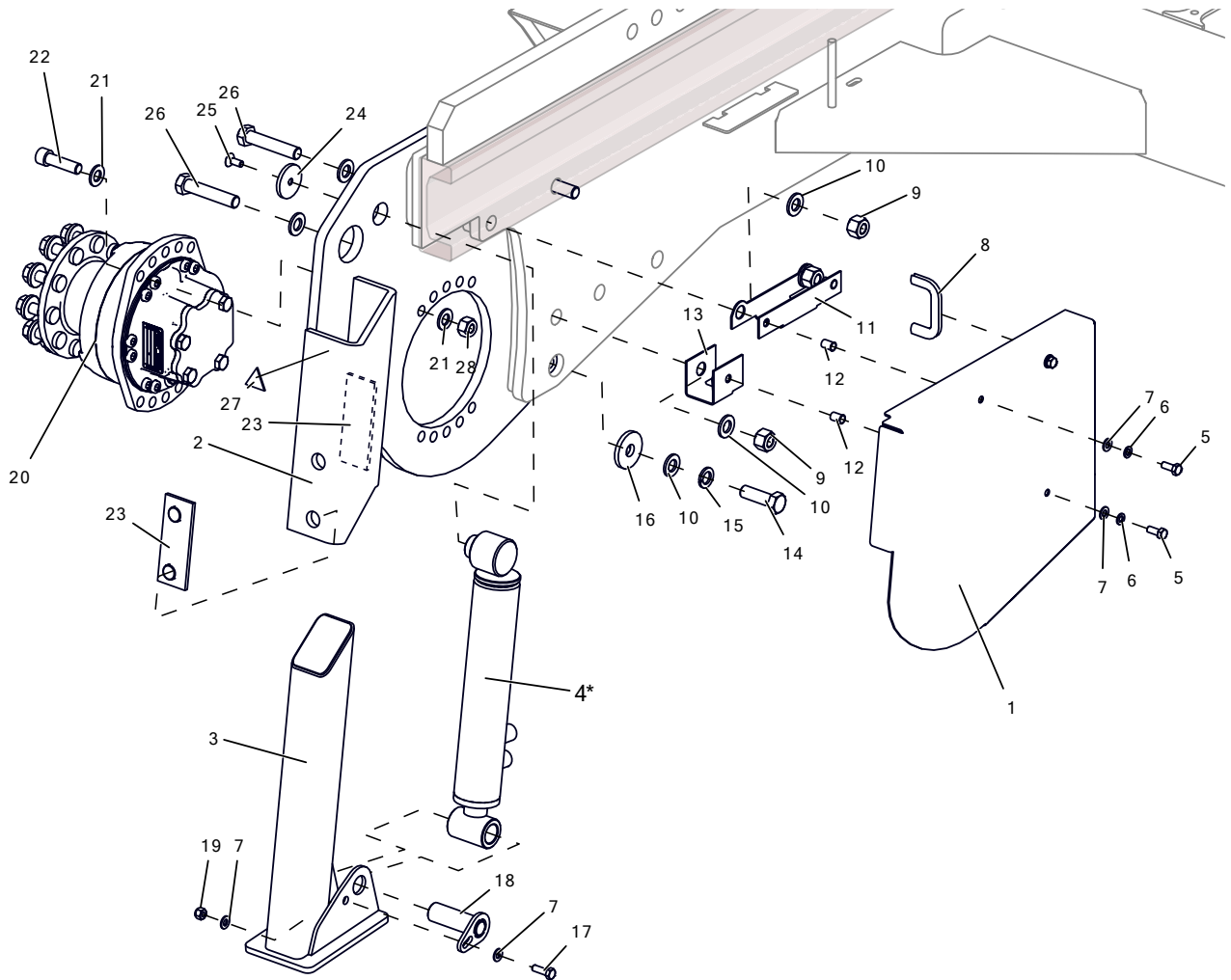


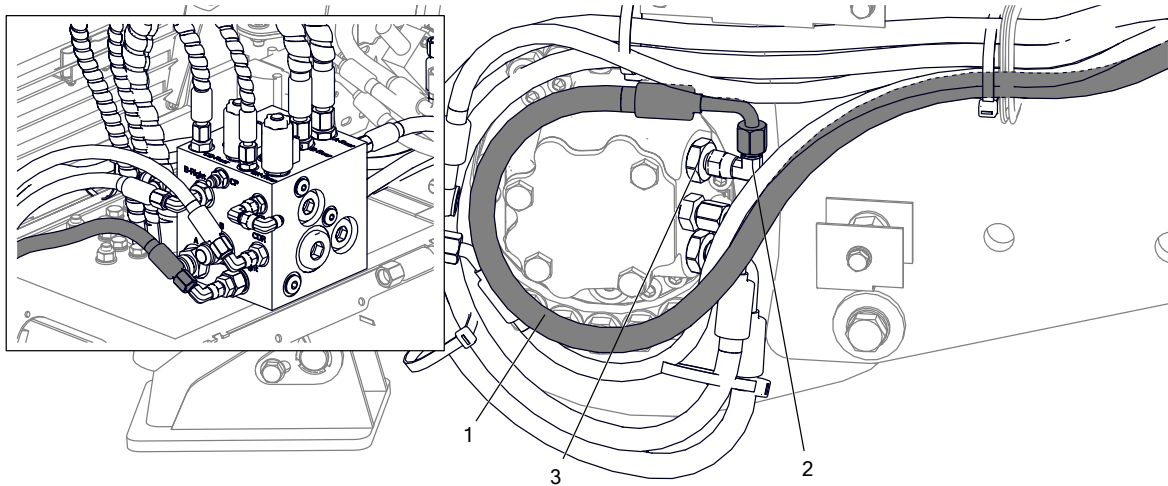
Figure 86: LM1-440-20 RHS FRONT WHEEL ASSEMBLY

ITEM	PART NUMBER	TERRITORY	QTY	DESCRIPTION	NOTES
1	LM1-472-03		1	2 WAY WHEEL COVER RH	
2	LM1-480-00 LM1-475-00 LM1-470-00	USA/CAN AUS UK	1	WHEEL PLATE WELD ASSEMBLY RH 2 WAY SHORT 2 WAY SHORT 2 WAY LONG	
3	LM1-357-00		1	STABILIZER LEG	
4*	LM1-370-05		1	STABILIZER CYLINDER RH *YSEALKIT6 CAN BE SUPPLIED SEPERATELY	
5	XS08020Z		3	M8 X 20 HEX HEAD SCREW 8.8	
6	XW08SZ		3	M8 SPRING WASHER	
7	XW08AZ		5	M8 FORM A WASHER	
8	LM1-472-11		1	YSEALSTRIP30 195MM LONG	
9	XN16N		3	M16 NYLOC NUT	
10	XW16AZ		7	M16 FORM A WASHER	
11	LM1-472-01		1	WHEEL COVER MOUNT	
12	XNS08		3	M8 NUTSERT	
13	LM1-472-02		1	WHEEL COVER MOUNT SMALL	
14	XS16050Z		1	M16 X 50 HEX HEAD SCREW 8.8	
15	XW16SZ		1	M16 SPRING WASHER	
16	LM1-352-08		1	WHEEL PLATE WASHER	
17	XS08025Z		1	M8 X 25 HEX HEAD SCREW 8.8	
18	LM1-350-06		1	STABILIZER CYLINDER PIN	
19	XN08N		1	M8 NYLOC NUT	
20	YMOTOR24		1	FRONT WHEEL MOTOR NON-BRAKED 364CC/REV	
21	XW14AZ		20	M14 FORM A WASHER	
22	XS14050Z		10	M14 X 50 HEX HEAD SCREW 8.8	
23	YPAD1		2	WEAR PAD	
24	LM1-350-08		1	RETAINING WASHER	
25	XCSK08020SKTZB		1	M8 X 20 CSUNK SCREW 8.8	
26	XS16080Z		3	M16 X 80 HEX HEAD SCREW 8.8	
27	LM1-901-32		1	DECAL - WARNING PINCH POINT	
28	XN14N		10	M14 NYLOC NUT	

Table 47: LM1-440-20 RHS FRONT WHEEL ASSEMBLY – BOM

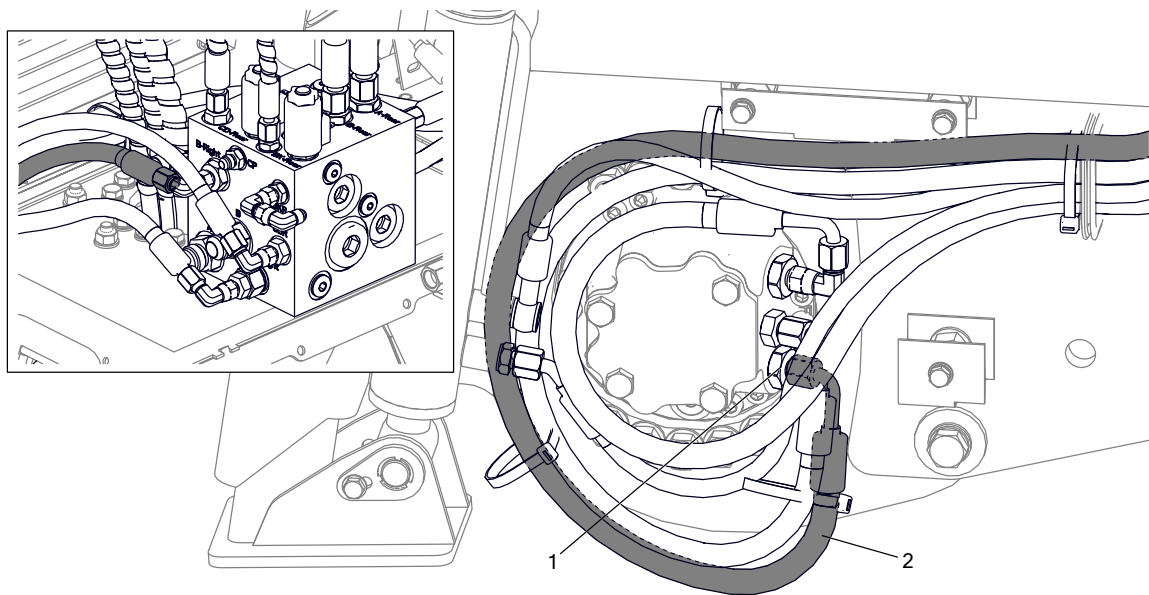


Valid for truck 855-713 to date



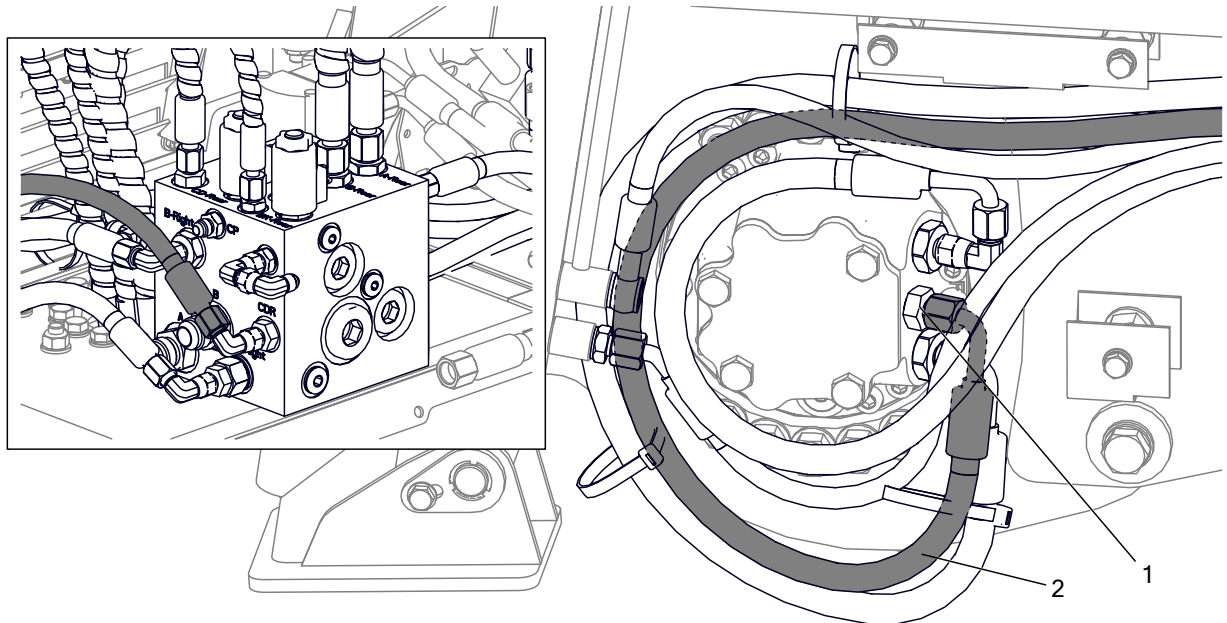
ITEM	PART NUMBER	QTY	DESCRIPTION	METRIC HOSE EQUIVALENTS
1	LM1-700-J314	1	JIC Front Motor RHS to Block "A-Right"	LM1-700-M314
2	YHA9.16JMFE	1	9/16J-18 MF SWIVLE ELBOW	YHA12LMFE
3	YHA1.2-9.16J	1	1/2" BSP M W/ SEAL TO 9/16J-18 M	YHA1.2-12L

Figure 87: LM1-440-20 RHS FRONT HYDRAULICS - LM1-700-J314 TO YBLOCK18 [A-RIGHT]



ITEM	PART NUMBER	QTY	DESCRIPTION	METRIC HOSE EQUIVALENTS
1	YHA1.2-9.16J	1	1/2" BSP M W/ SEAL TO 9/16J-18 M	YHA1.2-12L
2	LM1-700-J214	1	JIC Front Motor RHS to Block "B-Right"	LM1-700-M215

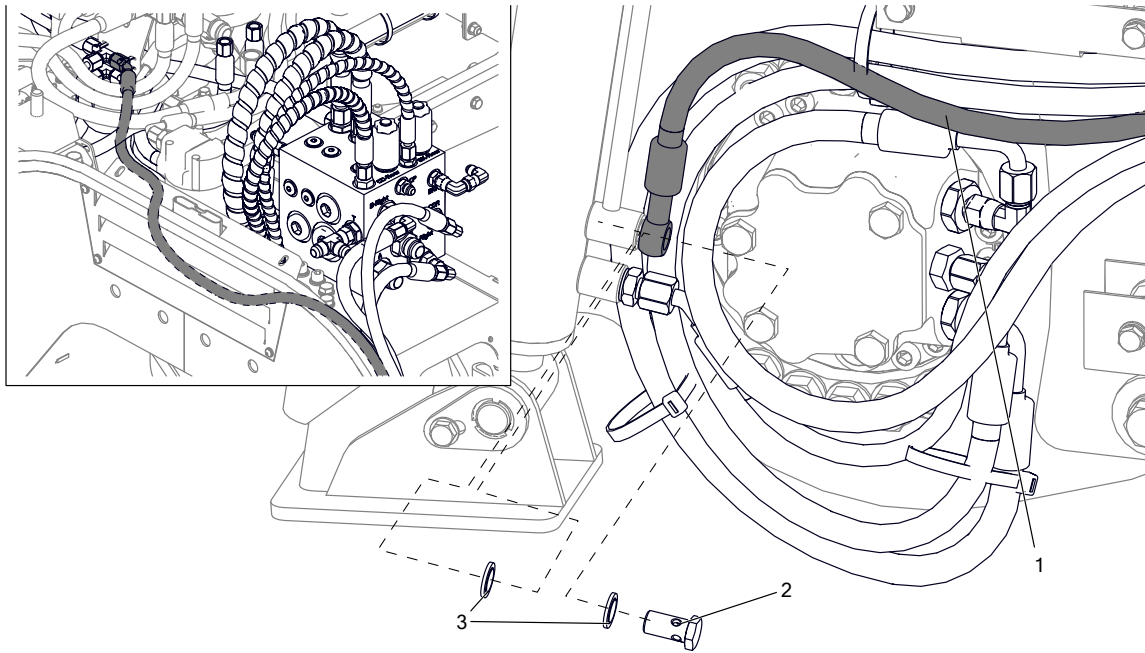
Figure 88: LM1-440-20 RHS FRONT HYDRAULICS - LM1-700-J214 TO YBLOCK18 [B-RIGHT]



ITEM	PART NUMBER	QTY	DESCRIPTION	METRIC HOSE EQUIVALENTS
1	YHA3.8-9.16J	1	3/8" BSP M W/ SEAL TO 9/16J-18 M	YHA1.2-12L
2	LM1-700-J315	1	JIC "CDR" Block Tee to Front Motor LHS	LM1-700-M315

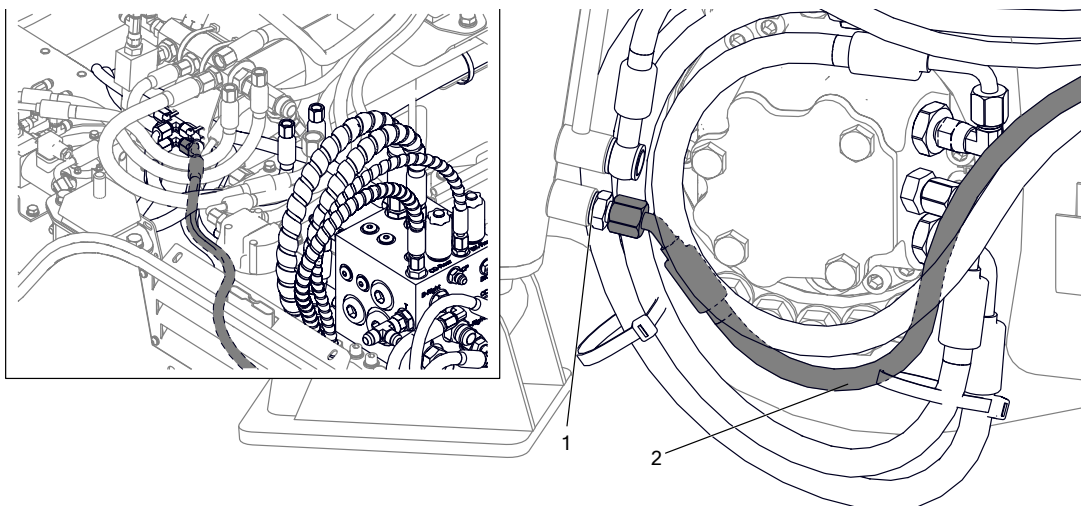
Figure 89: LM1-440-20 RHS FRONT HYDRAULICS - LM1-700-J315 TO YBLOCK18 [CDR]

Valid for truck 855-713 to date



ITEM	PART NUMBER	QTY	DESCRIPTION	METRIC HOSE EQUIVALENTS
1	LM1-700-J218	1	JIC RHS Stab-Leg Tee-Block to Stab-Leg Cylinder Top Port	LM1-700-M218
2	YHA1.4BB	1	1/4" BSP BANJO BOLT	-
3	YHS1.2D	2	1/2" BSP DOWTY SEAL	-

Figure 90: LM1-370-05 STABILISER LEG RHS TOP PORT



ITEM	PART NUMBER	QTY	DESCRIPTION	METRIC HOSE EQUIVALENTS
1	YHA1.4-9.16J	1	1/4" BSP M W/ INTEGRAL SEAL TO 9/16J-18 M	YHA1.4-8L
2	LM1-700-J220	1	JIC RHS Stab-Leg Tee-Block to Stab-Leg Cylinder Bottom Port	LM1-700-M220

Figure 91: LM1-370-05 STABILISER LEG RHS BOTTOM PORT

**INTENTIONALLY LEFT BLANK**

## CHAPTER3.5: FRONT WHEEL ASSEMBLY AND HYDRAULICS 4-WAY

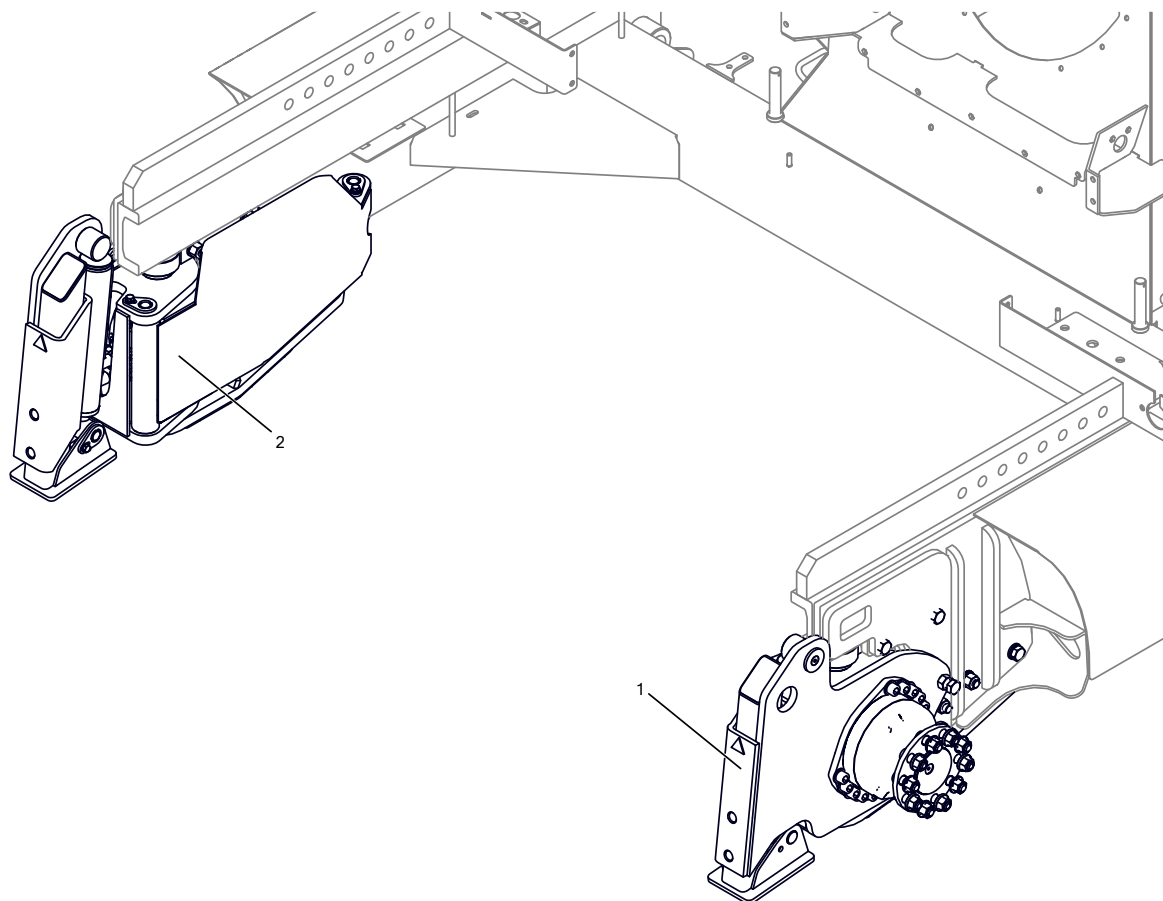


Figure 92: 4-WAY SHORT USA - CAN FRONT WHEEL KIT

ITEM	PART NUMBER	TERRITORY	QTY	DESCRIPTION	NOTES
1	LM1-340-10	USA/CAN/AUS	1	4-WAY LH ASSEMBLY PLATE – SHORT	
	LM1-340-00	UK		4-WAY LH ASSEMBLY PLATE – LONG	
2	LM1-341-10	USA/CAN/AUS	1	4-WAY RH ASSEMBLY PLATE - SHORT	
	LM1-341-00	UK		4-WAY RH ASSEMBLY PLATE - LONG	

Table 48: LM1-45-10 4-WAY SHORT USA - CAN FRONT WHEEL KIT - BOM

### NOTE:

JIC AND METRIC HOSE ARRANGEMENTS LEFT AND RIGHT ARE ON SEPARATE FIGURES IN THIS CHAPTER.

**INTENTIONALLY LEFT BLANK**

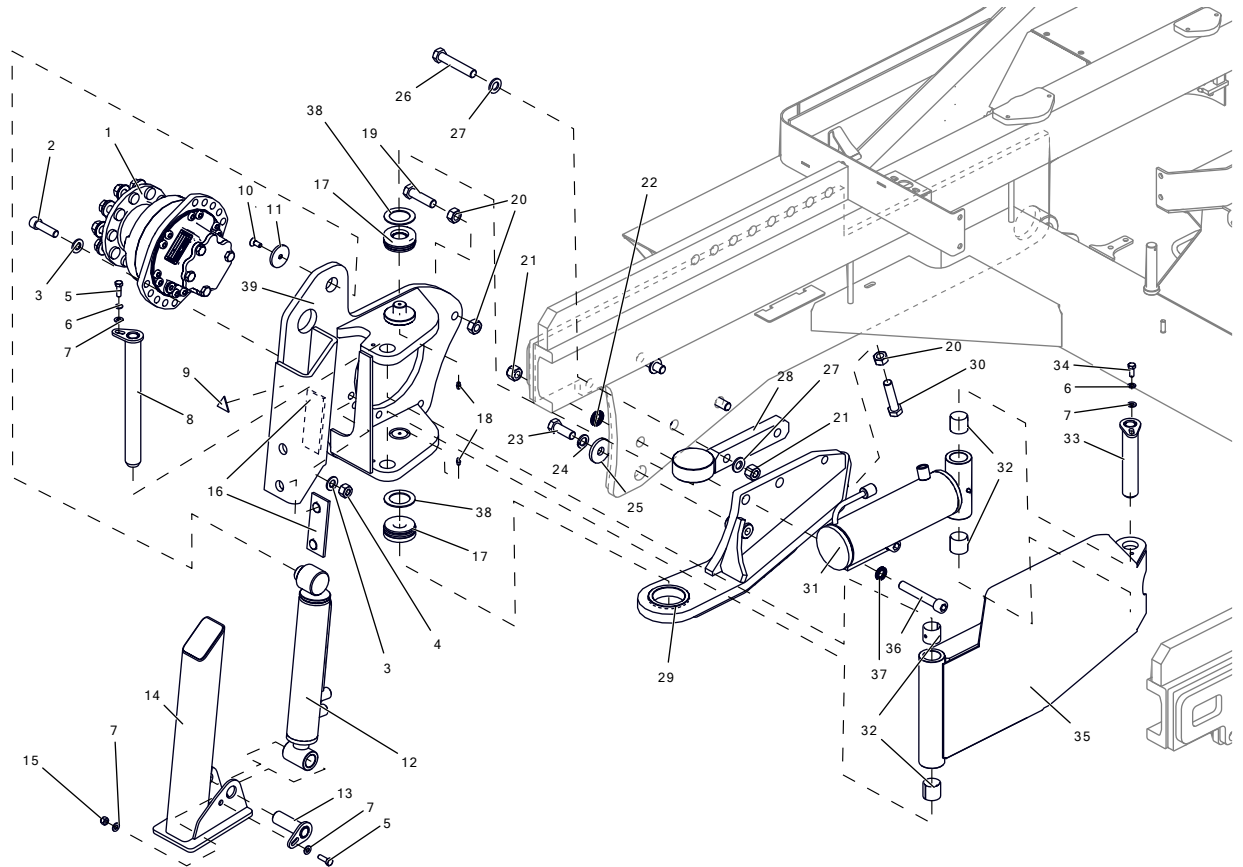


Figure 93: 4-WAY SHORT RHS WHEEL ASSEMBLY

Valid for truck 855-713 to date

ITEM	PART NUMBER	TERRITORY	QTY	DESCRIPTION	NOTES
1	YMOTOR24		1	FRONT WHEEL MOTOR (YMOTOR4 - 10 STUD CONVERSION WITH STUDS AND NUTS)	ORIENTATION SHOWN IS 4-WAY JIC. MOTOR IS VERTICAL (BOLT HOLES TOP AND BOTTOM) FOR METRIC 4-WAY
2	XS14050Z		10	M14 X 50 HEX HEAD SCREW 8.8	
3	XW14AZ		20	M14 FORM A WASHER	
4	XN14N		10	M14 NYLOC NUT	
5	XS08025Z		2	M8 X 25 HEX HEAD SCREW 8.8	
6	XW08SZ		2	M8 SPRING WASHER	
7	XW08AZ		4	M8 FORM A WASHER	
8	LM1-355-00		1	FRONT 4WAY PIN ASSEMBLY	
9	LM1-901-32		1	DECAL - WARNING PINCH POINT	
10	XCSK08020SKTZB		1	M8 X 20 CSUNK SCREW 8.8	
11	LM1-350-08		1	RETAINING WASHER	
12	LM1-370-05		1	STABILIZER CYLINDER RH	
13	LM1-350-06		1	STABILIZER CYLINDER PIN	
14	LM1-357-00		1	STABILIZER LEG	
15	XN08N		1	M8 NYLOC NUT	
16	YPAD1		2	WEAR PAD	
17	YBEARGX25F		2	4-WAY THRUST BEARING	
18	YGN0600		4	YGN0600 GREASE NIPPLE	
19	XS16060Z		1	M16 X 60 HEX HEAD SCREW 8.8	
20	XN16Z		3	M16 HEX NUT	
21	XN16N		4	M16 NYLOC NUT	
22	XW16SPNLD		2	NORDLOC WASHER NUT SIDE	
23	XS16045Z		2	M16 X 45 HEX HEAD SCREW	
24	XW16SZ		2	M16 SPRING WASHER	
25	LM1-352-08		1	SPECIAL WASHER - 4 WAY CLAMP	
26	XS16090Z		2	M16 X 90 HEX HEAD SCREW 8.8	
27	XW16AZ		5	M16 FORM A WASHER	
28	LM1-373-00		1	TOP BRACKET 4-WAY ASSEMBLY RH	
29	LM1-372-00		1	BOTTOM BRACKET - 4 WAY RH	
30	XS16070Z		1	M16 X 70 HEX HEAD SCREW	
31	LM1-374-00		1	4-WAY CYLINDER RH	
32	YBUSH7		4	4 WAY DX BUSH	
33	LM1-356-00		1	4-WAY REAR PIN ASSEMBLY	
34	XS08020Z		1	M8 X 20 HEX HEAD SCREW 8.8	
35	LM1-371-00		1	4 WAY GUARD RH	
36	XS16100Z		1	M16X100 SKT CAP HEAD SCREW 12.9	
37	XW16NLD		2	NORDLOC WASHER NUT SIDE	
38	LM1-352-05		2	4-WAY SHIM	
39	LM1-380-01 LM1-370-01	USA/CAN/AUS UK	1	WHEEL PLATE WELD ASSEMBLY RH 4-WAY SHORT 4-WAY LONG	



Figure 94: LM1-341-10 4-WAY SHORT RHS WHEEL ASSEMBLY – BOM

**JIC HOSE ARRANGEMENT - RHS**

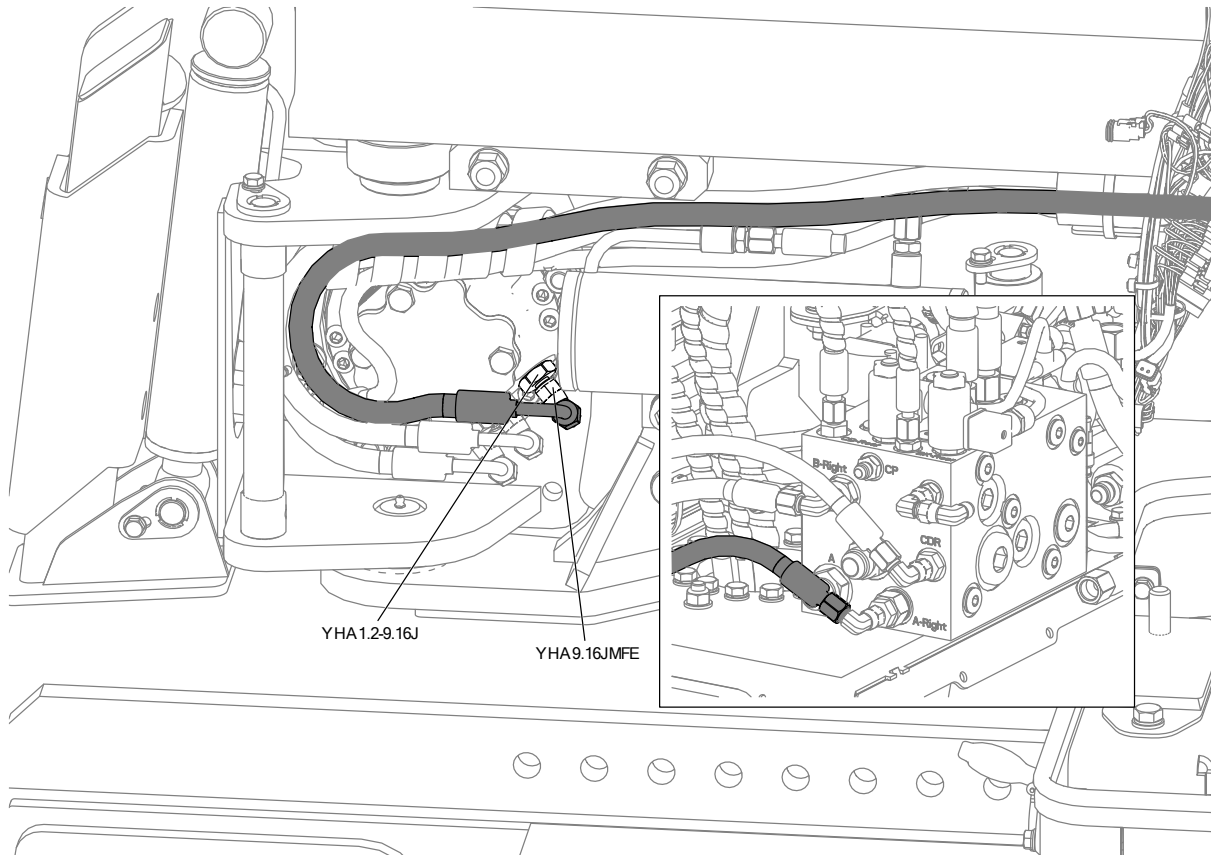


Figure 95: JIC - LM1-440-20 RHS FRONT HYDRAULICS LM1-700-J314 TO YBLOCK3 [A-RIGHT] 4 WAY CONFIGURATION

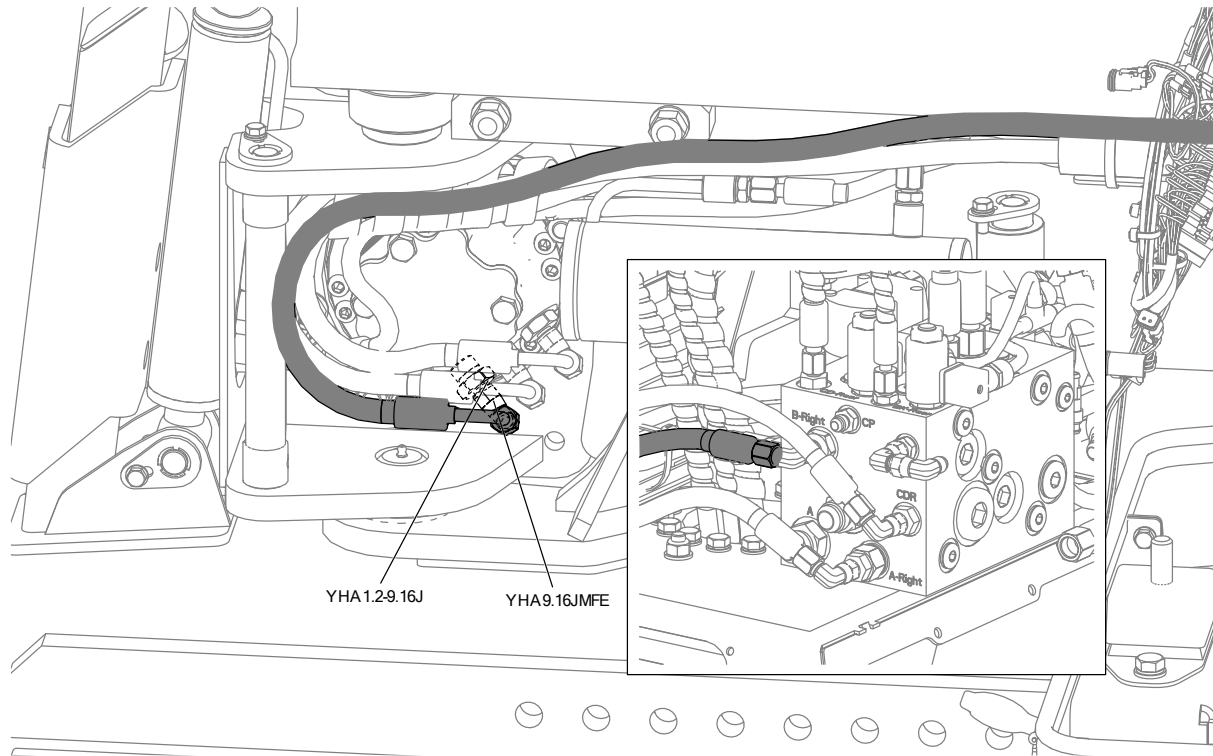


Figure 96: JIC - LM1-440-20 RHS FRONT HYDRAULICS LM1-700-J214 TO YBLOCK3 [B-RIGHT] 4 WAY CONFIGURATION

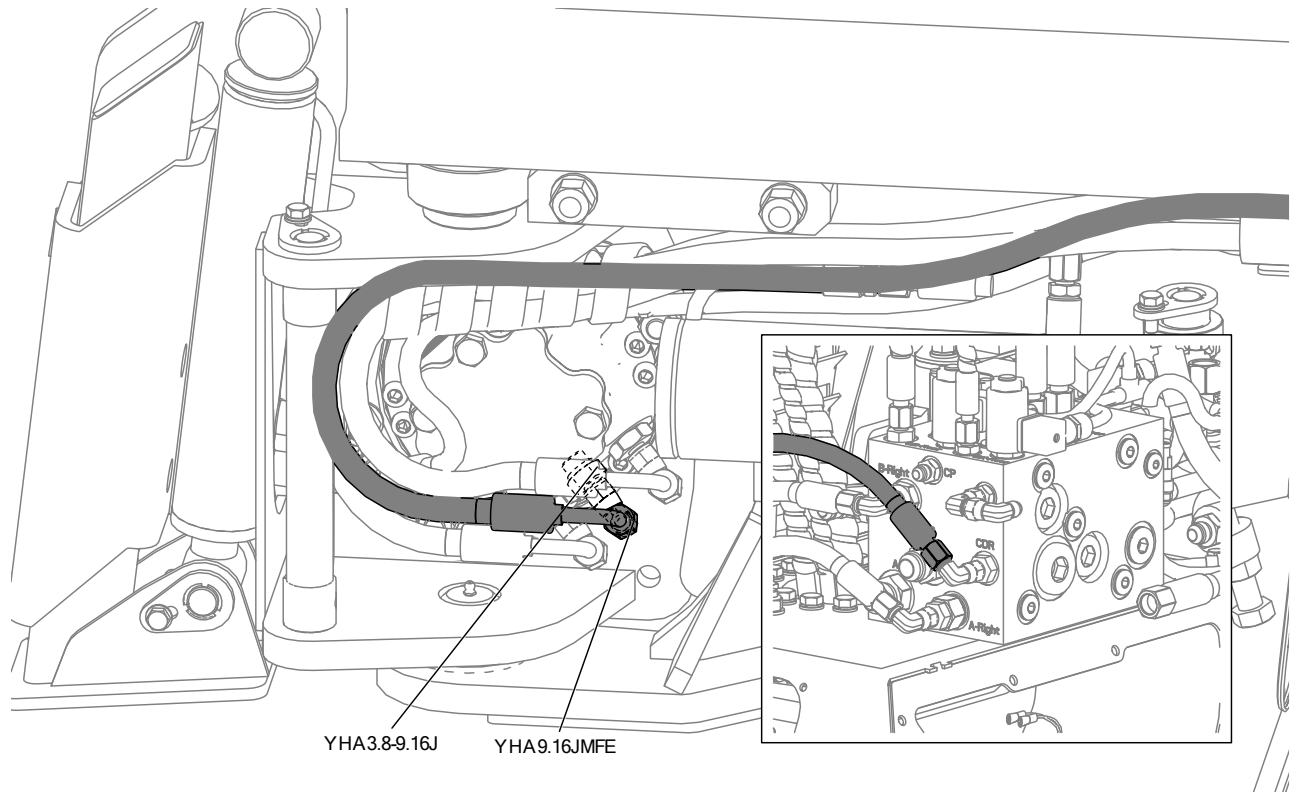


Figure 97: JIC - LM1-440-20 RHS FRONT HYDRAULICS LM1-700-J315 TO YBLOCK3 [CDR] 4 WAY CONFIGURATION

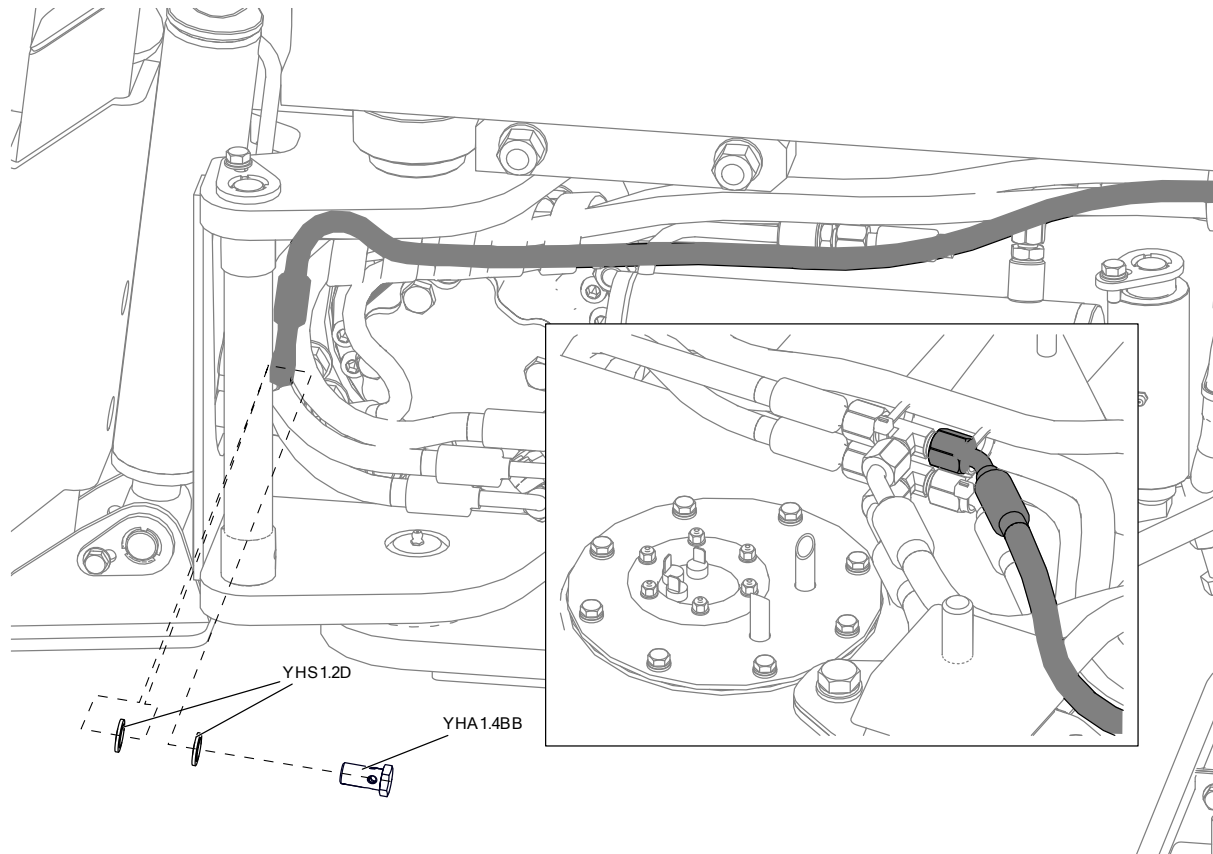


Figure 98: JIC - LM1-370-05 STABILISER LEG RHS TOP PORT 4 WAY CONFIGURATION

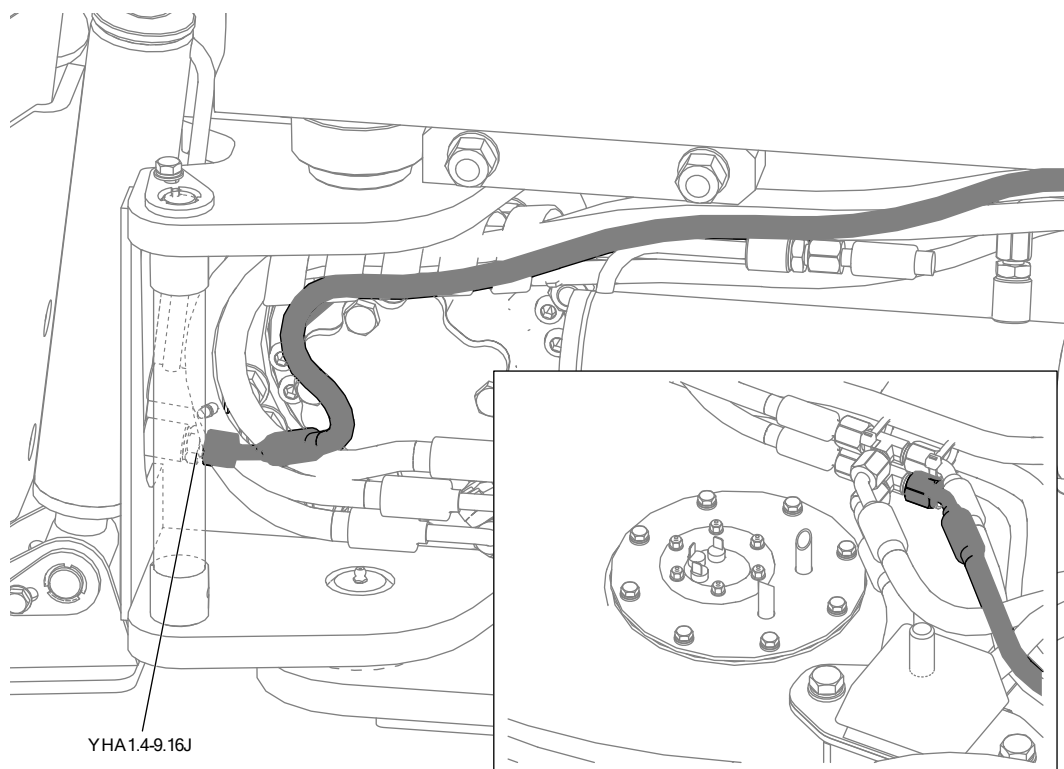


Figure 99: JIC - LM1-370-05 STABILISER LEG RHS BOTTOM PORT 4 WAY CONFIGURATION

**INTENTIONALLY LEFT BLANK**

METRIC HOSE ARRANGEMENT - RHS

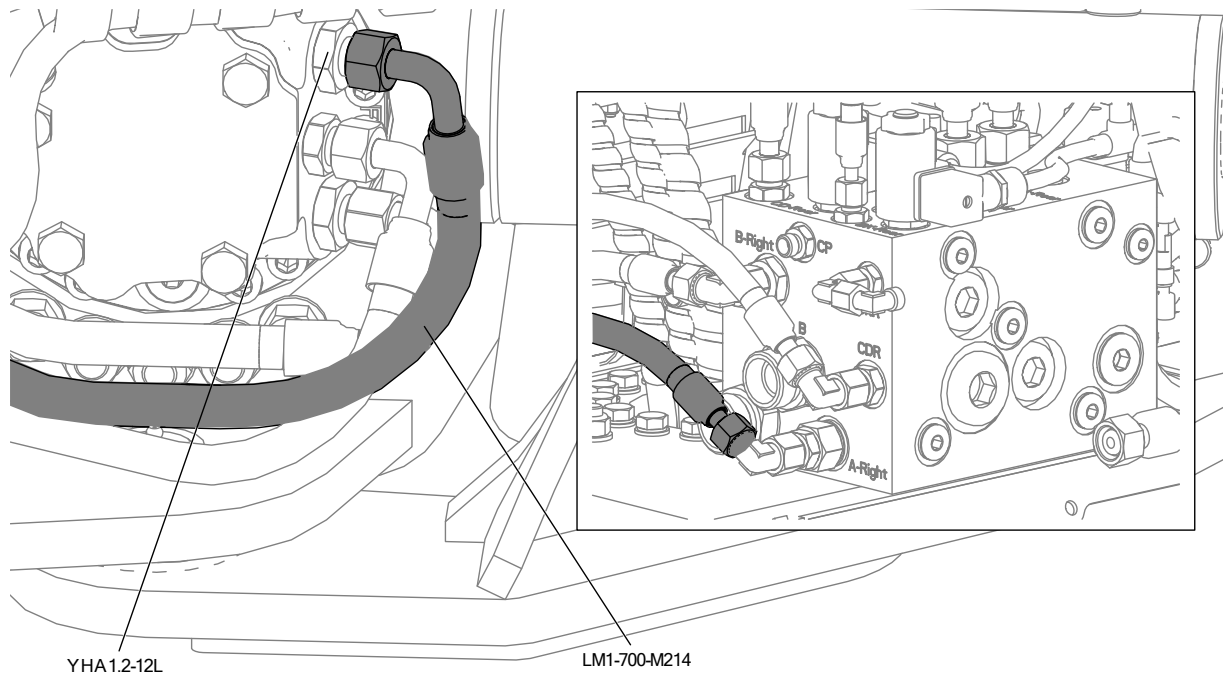


Figure 100: LM1-702-30 METRIC RHS FRONT HYDRAULICS LM1-700-M314 TO YBLOCK3 [A-RIGHT] 4 WAY CONFIGURATION

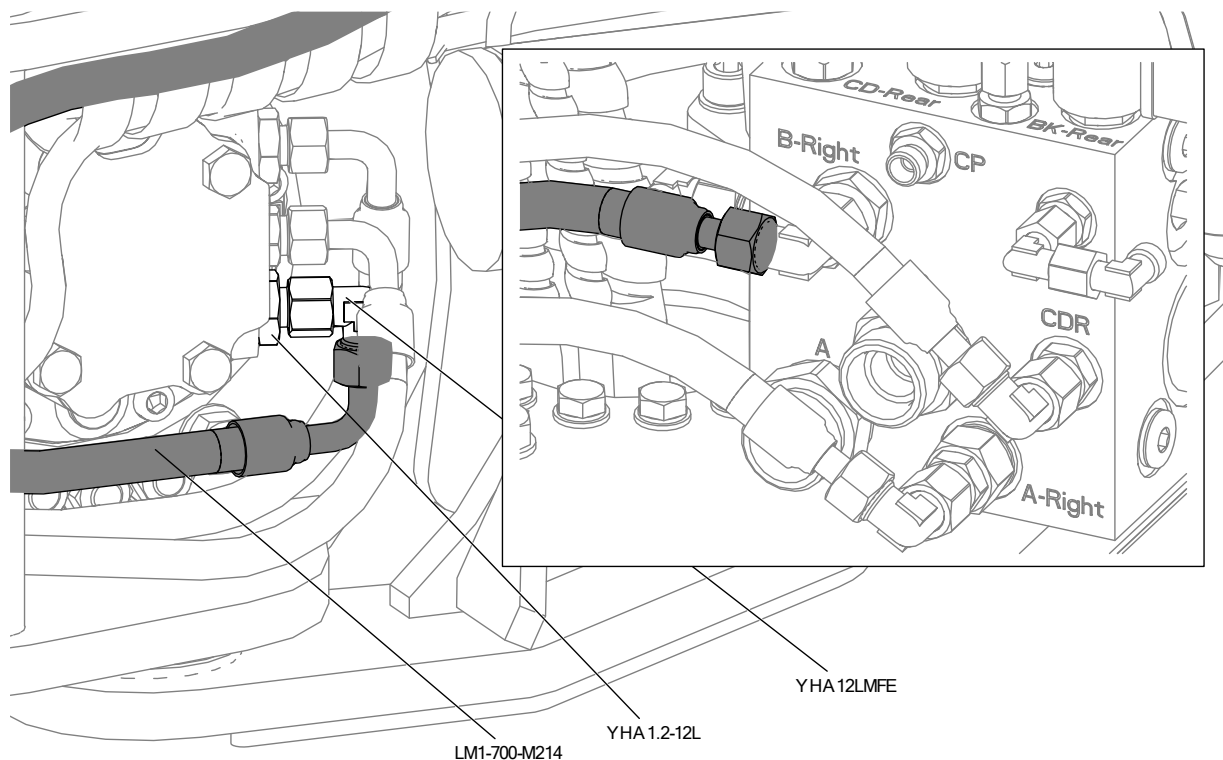


Figure 101: LM1-702-30 METRIC RHS FRONT HYDRAULICS LM1-700-M214 TO YBLOCK3 [B-RIGHT] 4 WAY CONFIGURATION

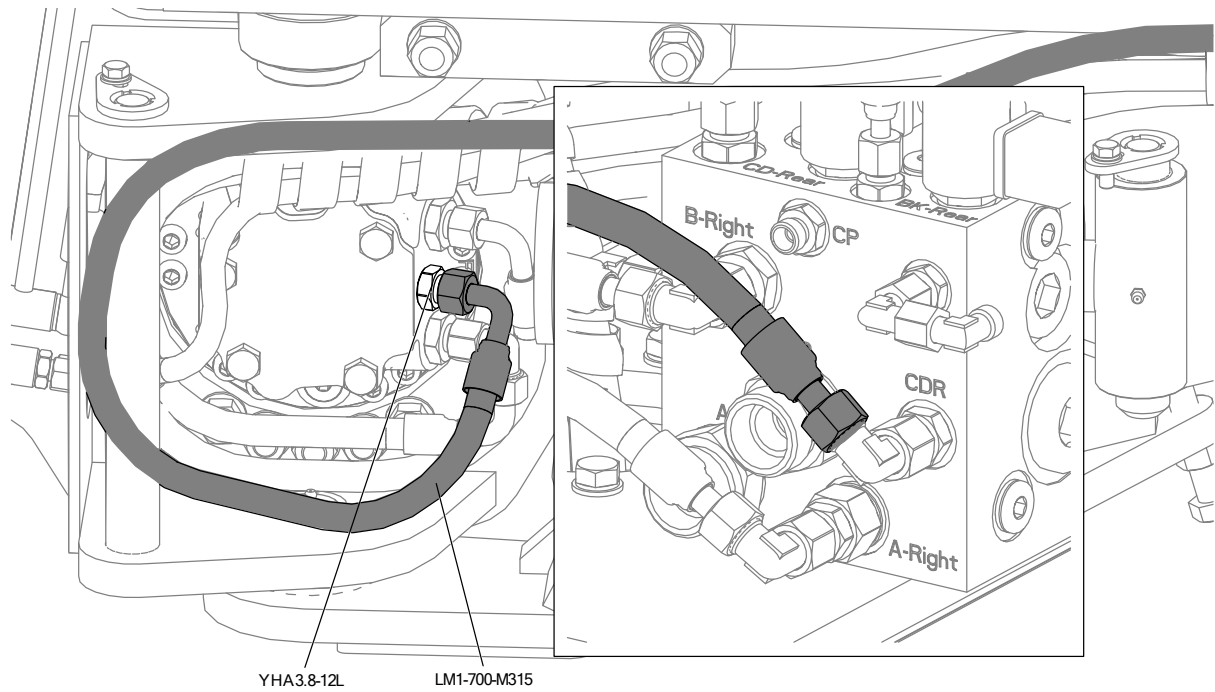


Figure 102: LM1-702-30 METRIC RHS FRONT HYDRAULICS LM1-700-M315 TO YBLOCK3 [CDR] 4 WAY CONFIGURATION

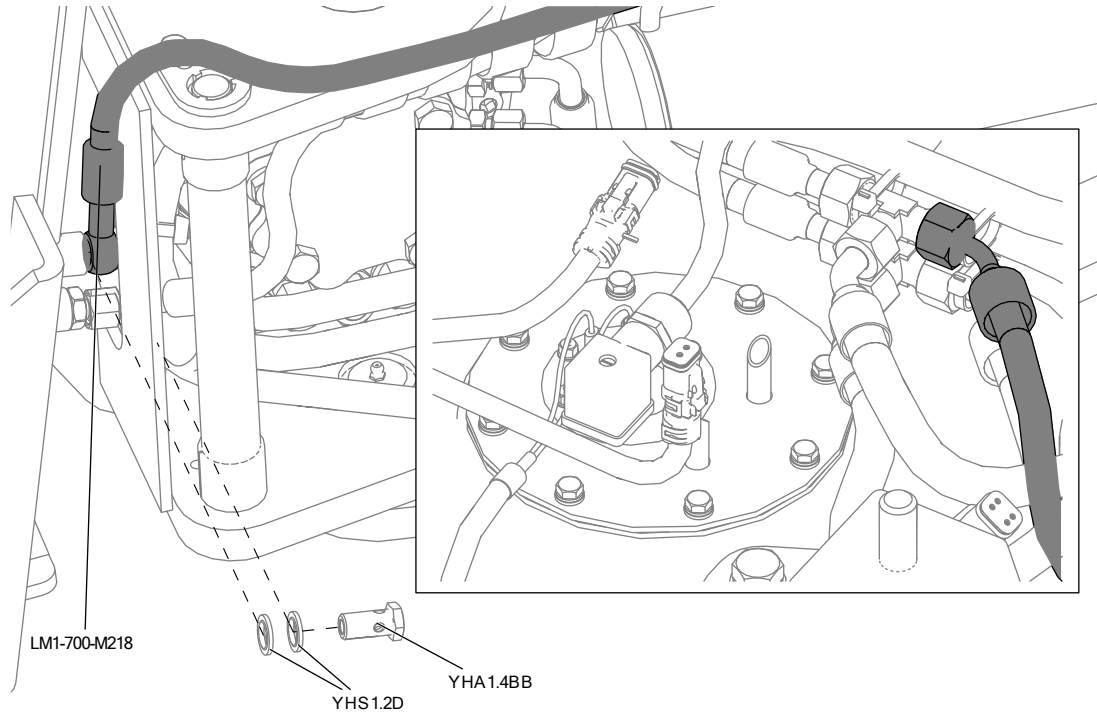


Figure 103: LM1-702-30 METRIC - STABALIZER LEG RHS TOP PORT 4-WAY

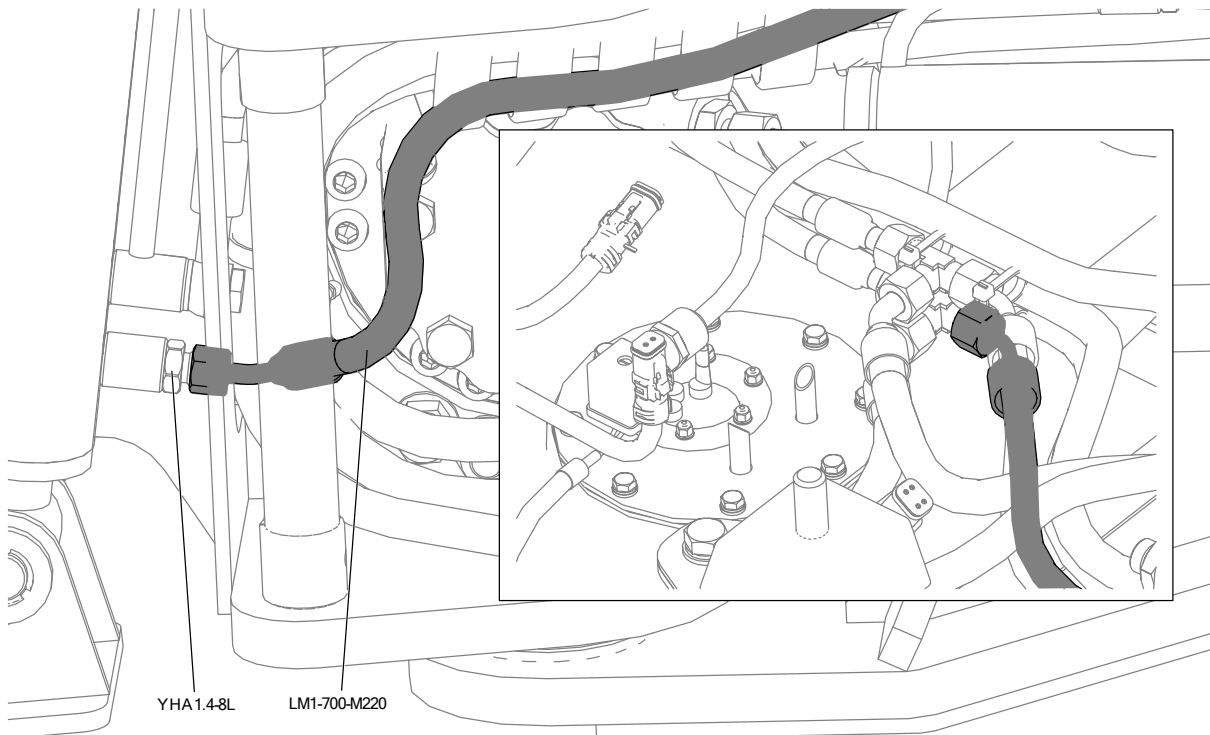


Figure 104: LM1-702-30 METRIC - STABALIZER LEG RHS BOTTOM PORT 4-WAY



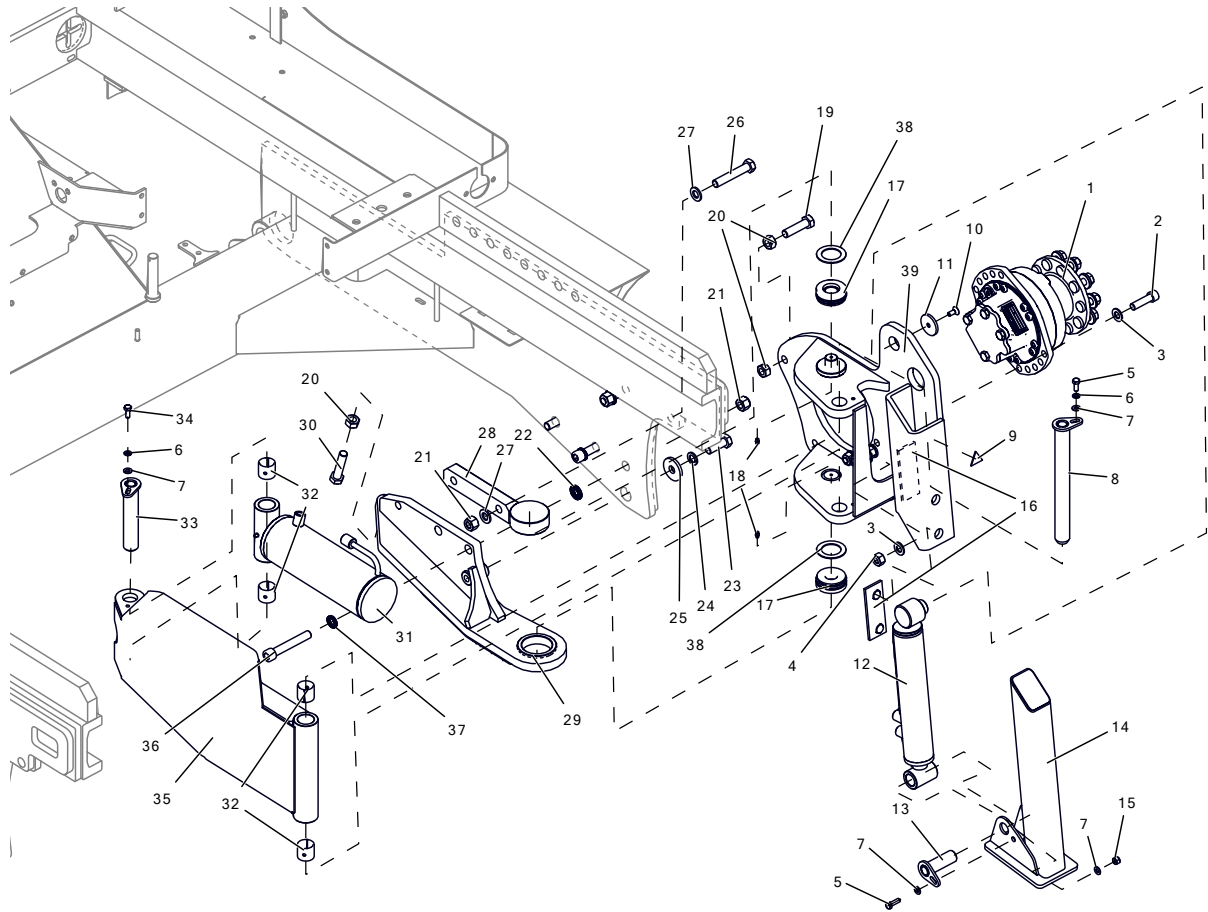


Figure 105: LM1-340-10 4-WAY SHORT LHS WHEEL ASSEMBLY

Valid for truck 855-713 to date

ITEM	PART NUMBER	TERRITORY	QTY	DESCRIPTION	NOTES
1	YMOTOR24		1	FRONT WHEEL MOTOR (YMOTOR4 - 10 STUD CONVERSION WITH STUDS AND NUTS)	
2	XS14050Z		10	M14 X 50 HEX HEAD SCREW 8.8	
3	XW14AZ		20	M14 FORM A WASHER	
4	XN14N		10	M14 NYLOC NUT	
5	XS08025Z		2	M8 X 25 HEX HEAD SCREW 8.8	
6	XW08SZ		2	M8 SPRING WASHER	
7	XW08AZ		4	M8 FORM A WASHER	
8	LM1-355-00		1	FRONT 4WAY PIN ASSEMBLY	
9	LM1-901-32		1	DECAL - WARNING PINCH POINT	
10	XCSK08020SKTZB		1	M8 X 20 CSUNK SCREW 8.8	
11	LM1-350-08		1	RETAINING WASHER	
12	LM1-350-10		1	STABILIZER CYLINDER LH	
13	LM1-350-06		1	STABILIZER CYLINDER PIN	
14	LM1-357-00		1	STABILIZER LEG	
15	XN08N		1	M8 NYLOC NUT	
16	YPAD1		2	WEAR PAD	
17	YBEARGX25F		2	4-WAY THRUST BEARING	
18	YGN0600		2	YGN0600 GREASE NIPPLE	
19	XS16060Z		1	M16 X 60 HEX HEAD SCREW 8.8	
20	XN16Z		3	M16 HEX NUT	
21	XN16N		4	M16 NYLOC NUT	
22	XW16SPNLD		2	NORDLOC WASHER NUT SIDE	
23	XS16045Z		2	M16 X 45 HEX HEAD SCREW 8.8	
24	XW16SZ		2	M16 SPRING WASHER	
25	LM1-352-08		1	SPECIAL WASHER - 4 WAY CLAMP	
26	XS16090Z		2	M16 X 90 HEX HEAD SCREW 8.8	
27	XW16AZ		7	M16 FORM A WASHER	
28	LM1-353-00		1	TOP BRACKET 4-WAY ASSEMBLY LH	
29	LM1-352-100		1	BOTTOM BRACKET - 4 WAY LH	
30	XS16070Z		1	M16 X 70 HEX HEAD SCREW 8.8	
31	LM1-354-00		1	4 WAY CYLINDER	
32	YBUSH7		4	4-WAY DX BUSH	
33	LM1-356-00		1	REAR 4 WAY PIN ASSEMBLY	
34	XS08025Z		1	M8 X 20 HEX HEAD SCREW 8.8	
35	LM1-351-00		1	4 WAY GUARD ASSEM	
36	XS16100Z		1	M16X100 SKT CAP HEAD SCREW 12.9	
37	XW16NLD		2	NORDLOC WASHER NUT SIDE	
38	LM1-352-05		2	4-WAY SHIM	
39	LM1-360-01 LM1-350-09	USA/CAN/AUS UK	1	WHEEL PLATE WELD ASSEMBLY RH 4-WAY SHORT 4-WAY LONG	

Table 49: LM1-340-10 4-WAY SHORT LHS WHEEL ASSEMBLY - BOM

JIC HOSE ARRANGEMENT - LHS

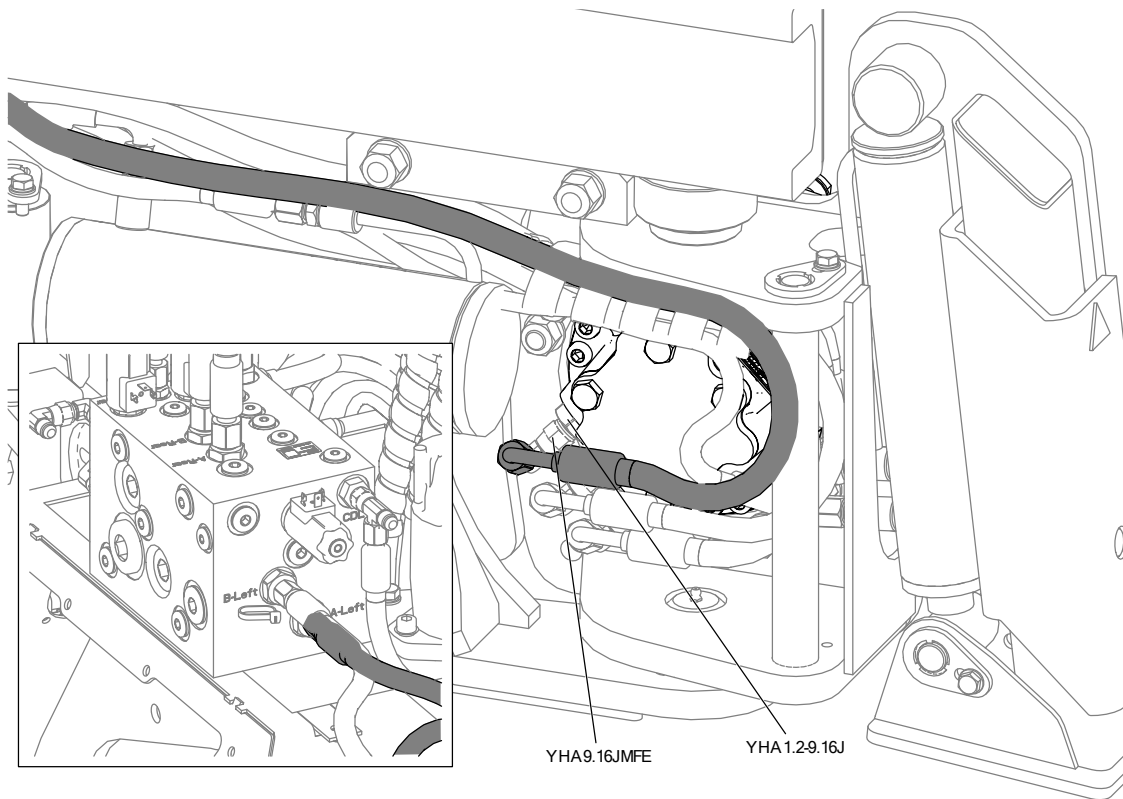


Figure 106: JIC - LM1-340-10 LHS FRONT HYDRAULICS - LM1-700-J215 TO YBLOCK3 [A-LEFT] 4 WAY CONFIGURATION

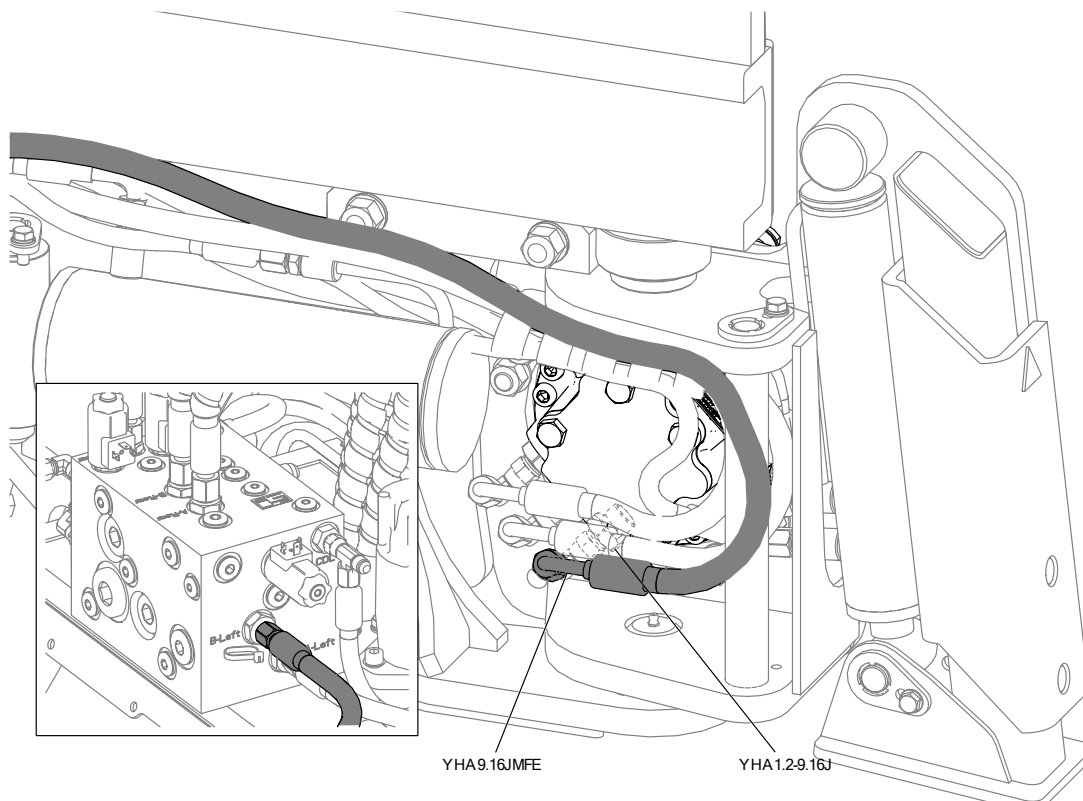


Figure 107: JIC - LM1-340-10 LHS FRONT HYDRAULICS - LM1-700-J215 TO YBLOCK3 [B-LEFT] 4 WAY CONFIGURATION

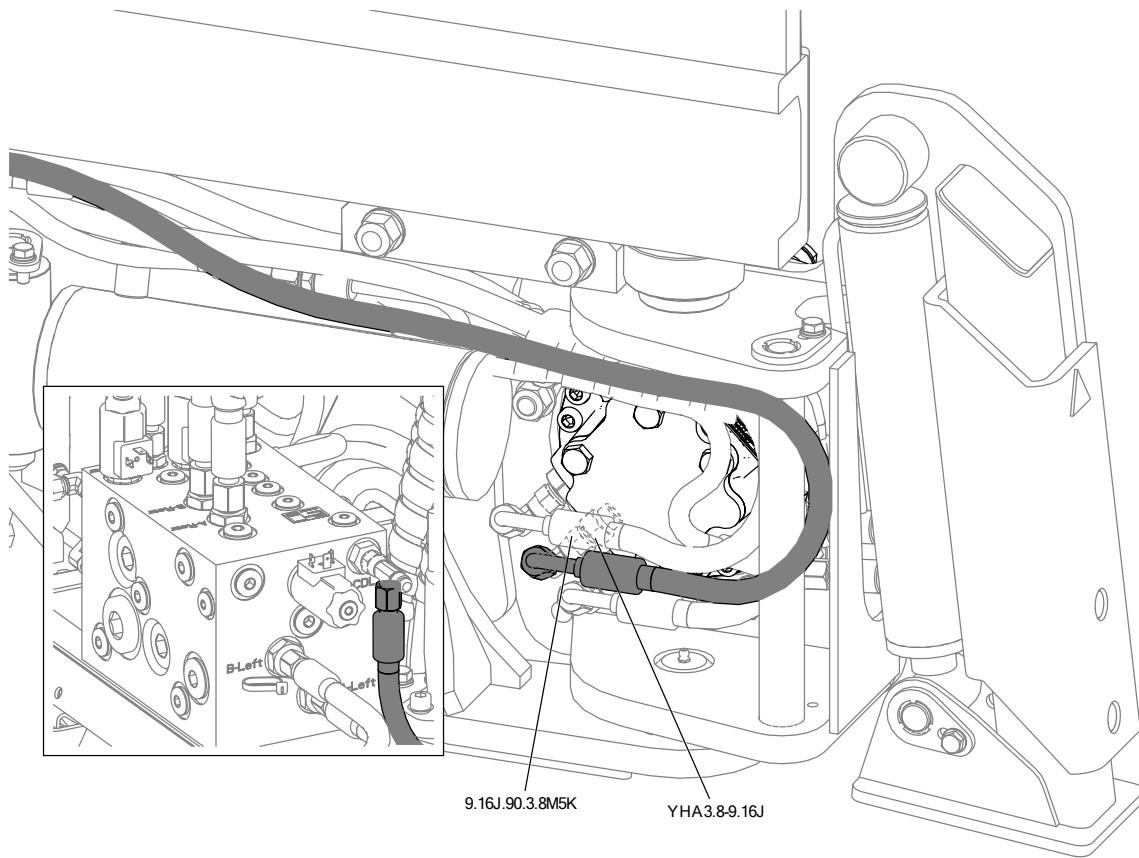


Figure 108: JIC - LM1-340-10 LHS FRONT HYDRAULICS LM1-700-J216 TO YBLOCK3 [CDL] 4 WAY CONFIGURATION

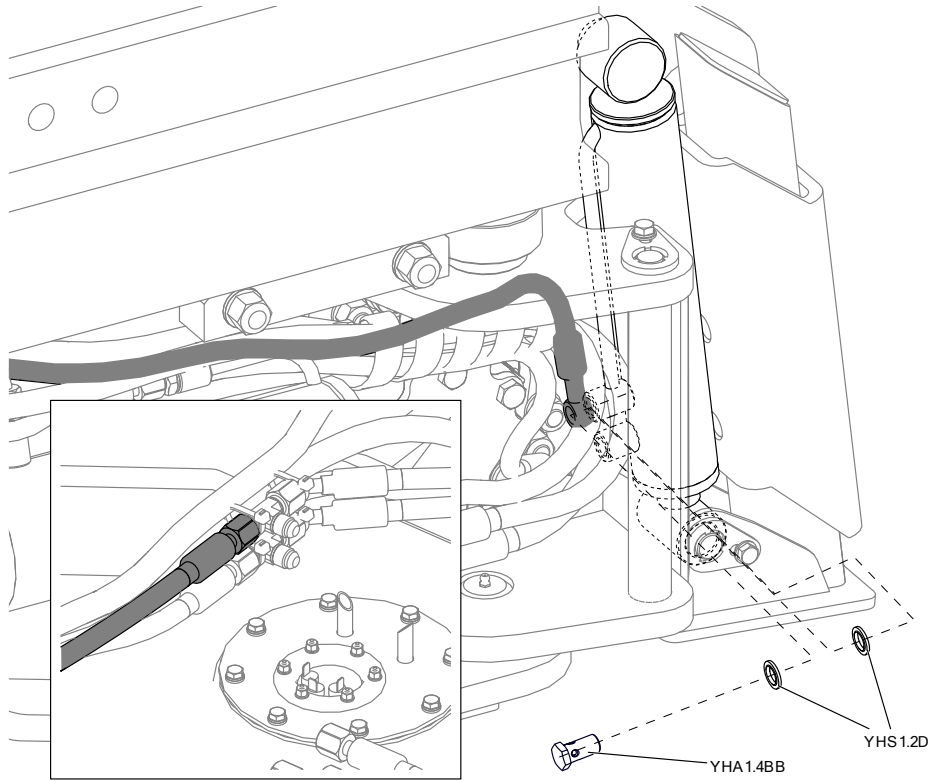


Figure 109: JIC - LM1-350-10 STABILISER LEG LHS TOP PORT 4 WAY CONFIGURATION

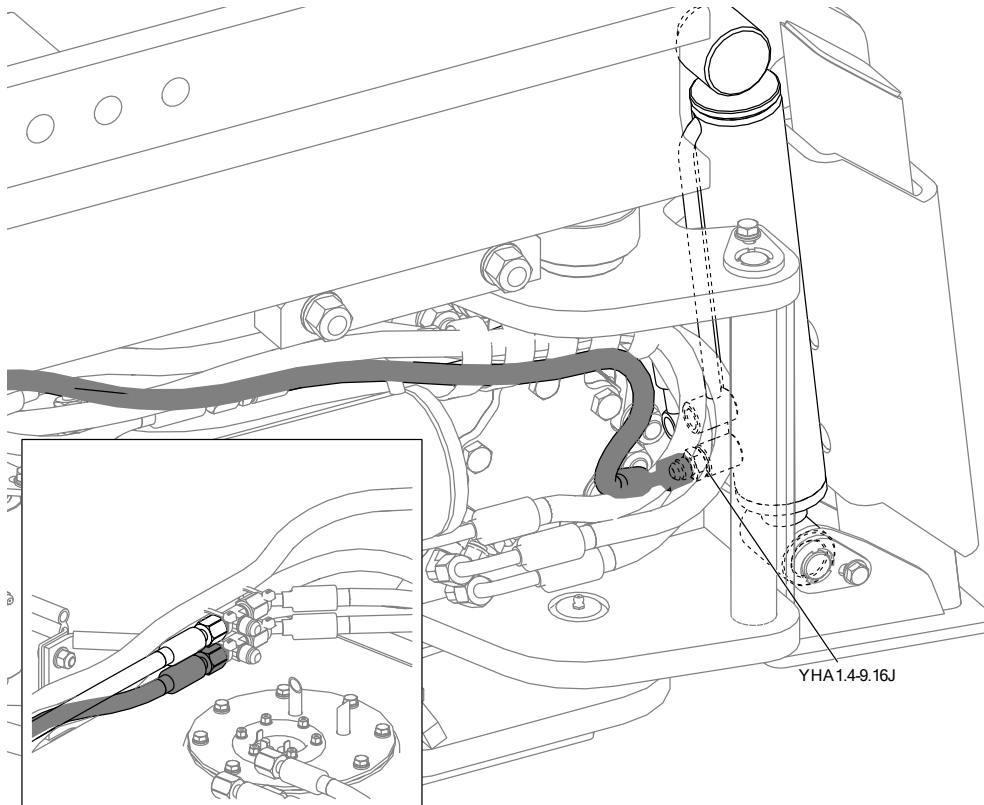


Figure 110: JIC - LM1-350-10 STABILISER LEG LHS BOTTOM PORT 4 WAY CONFIGURATION

METRIC HOSE ARRANGEMENT – RHS

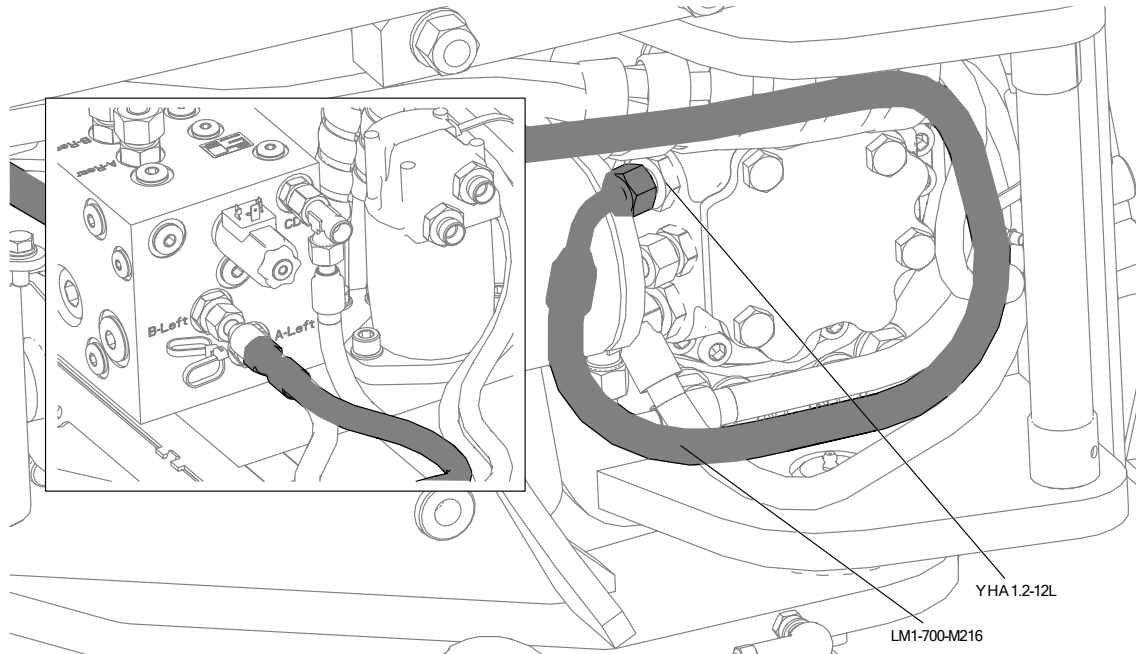


Figure 111: LM1-702-30 METRIC LHS FRONT HYDRAULICS - LM1-700-M215 TO YBLOCK3 [A-LEFT] 4 WAY CONFIGURATION

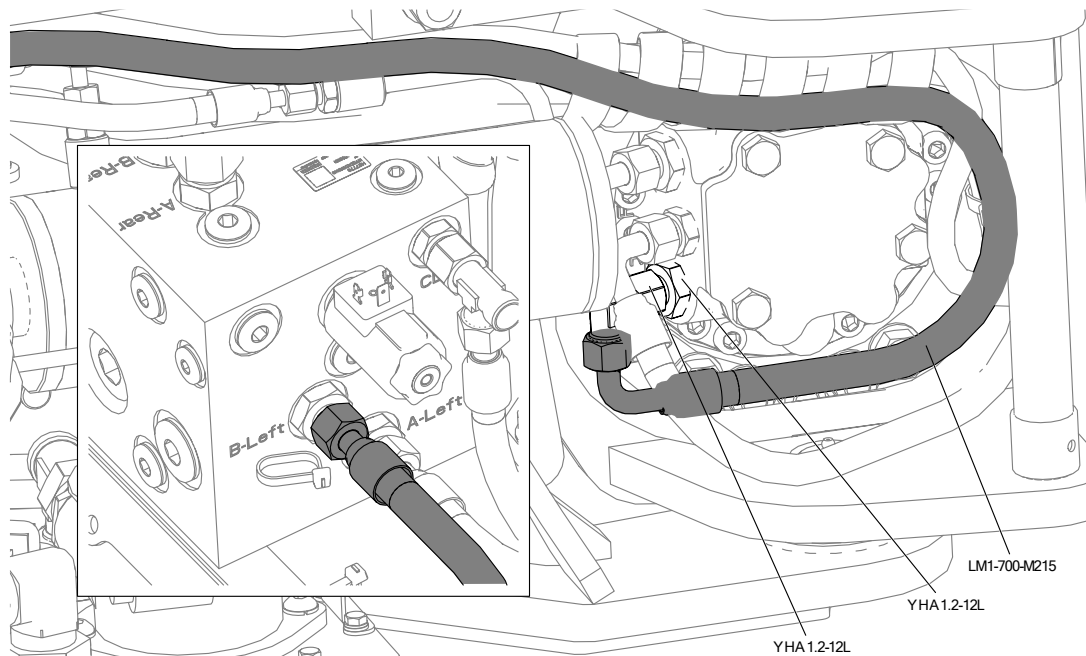


Figure 112: LM1-702-30 METRIC LHS FRONT HYDRAULICS - LM1-700-M215 TO YBLOCK3 [B-LEFT] 4 WAY CONFIGURATION

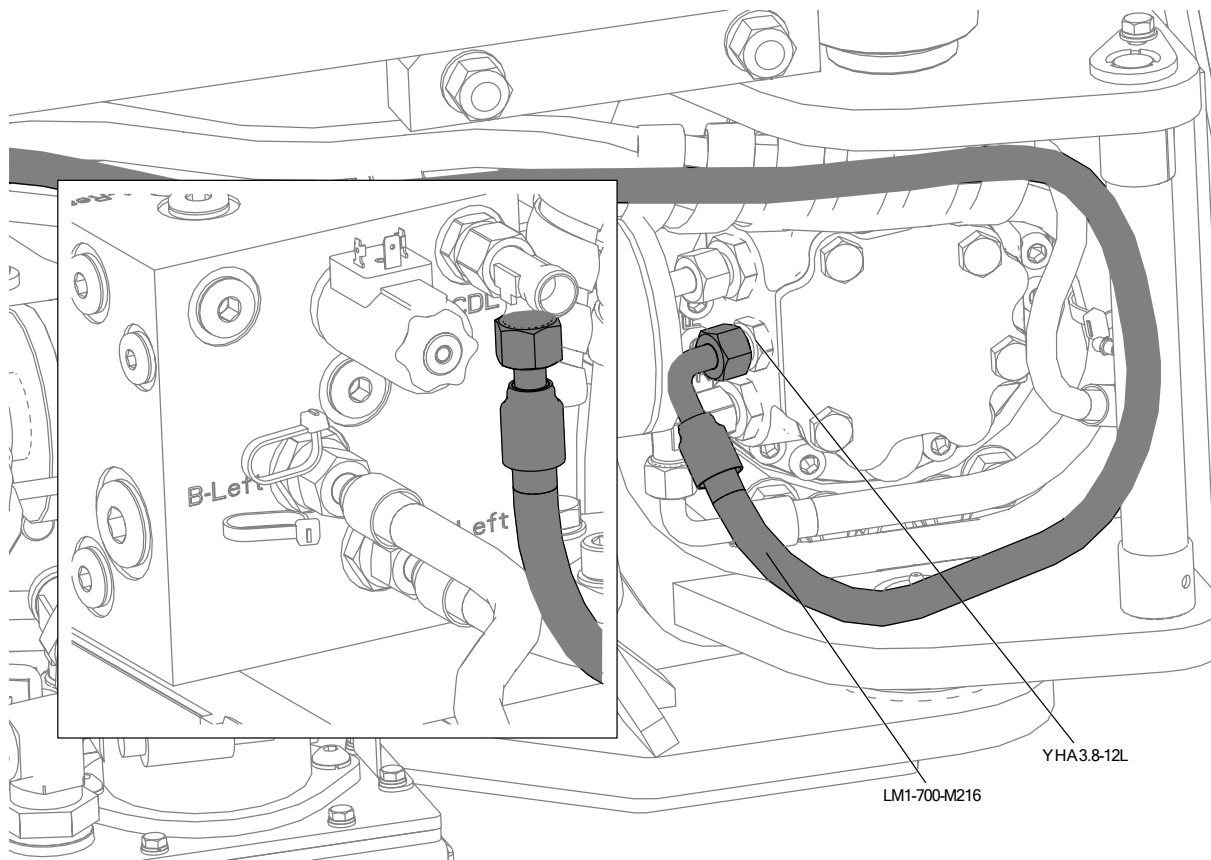
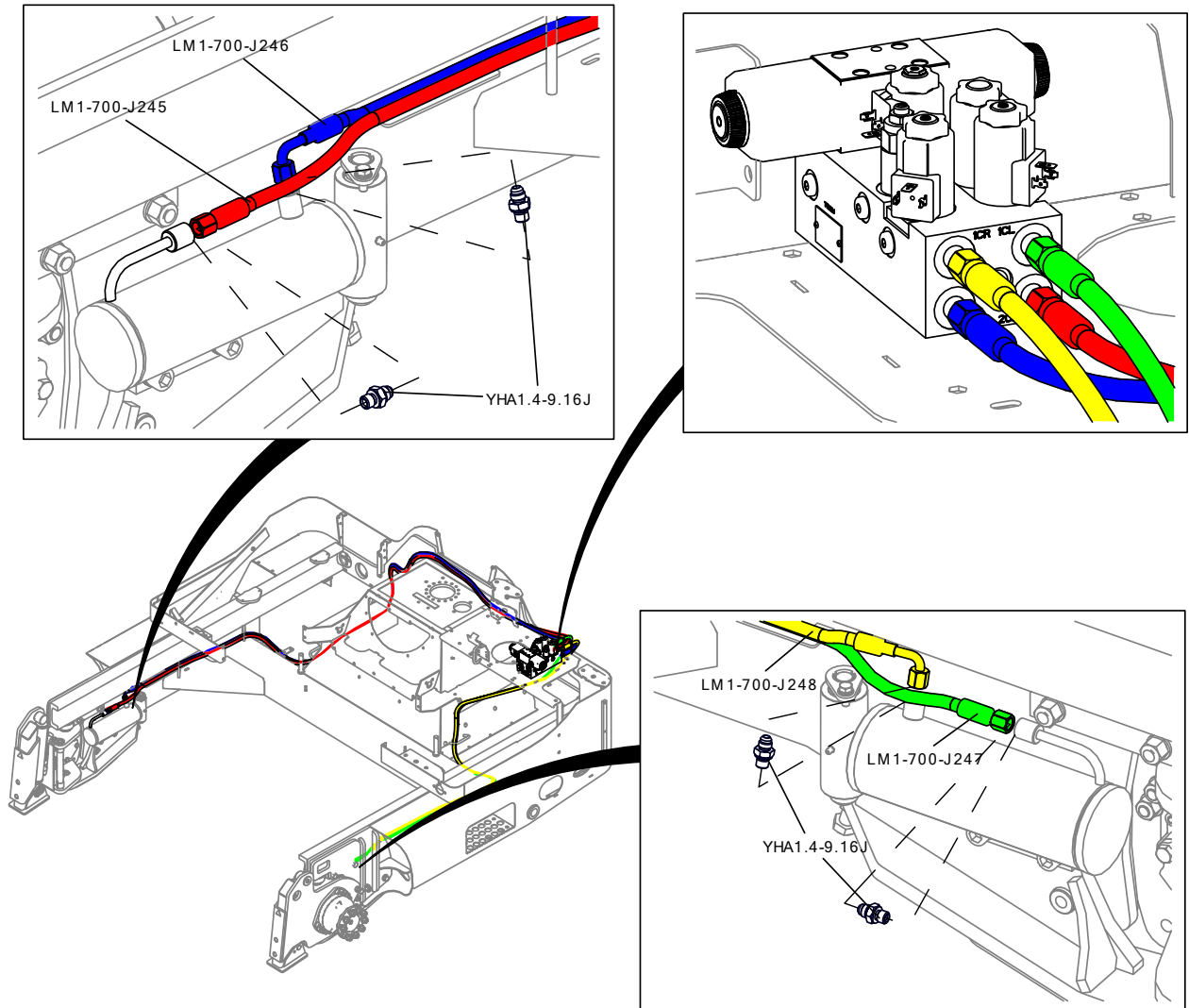


Figure 113: LM1-702-30 METRIC LHS FRONT HYDRAULICS - LM1-700-M216 TO YBLOCK3 [CDL] 4 WAY CONFIGURATION

## CHAPTER3.6: 4 WAY CYLINDER HOSES

### JIC HOSE CONFIGURATION

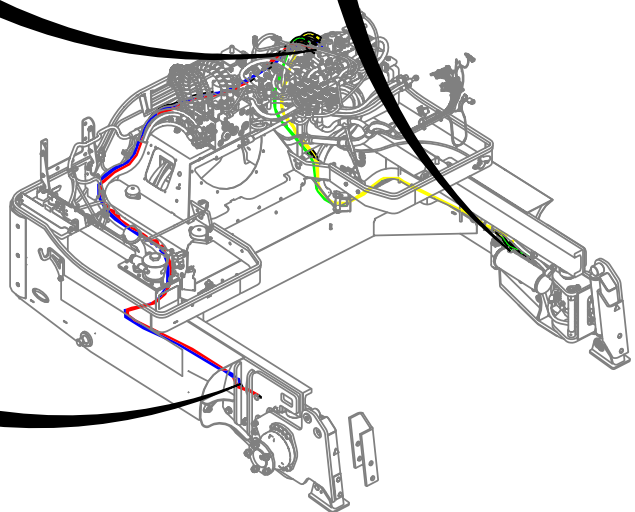
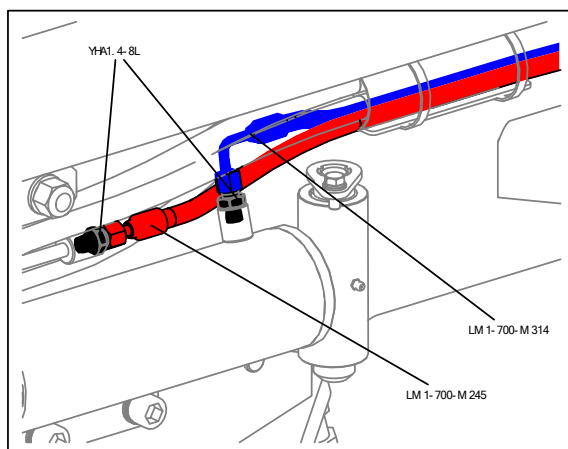
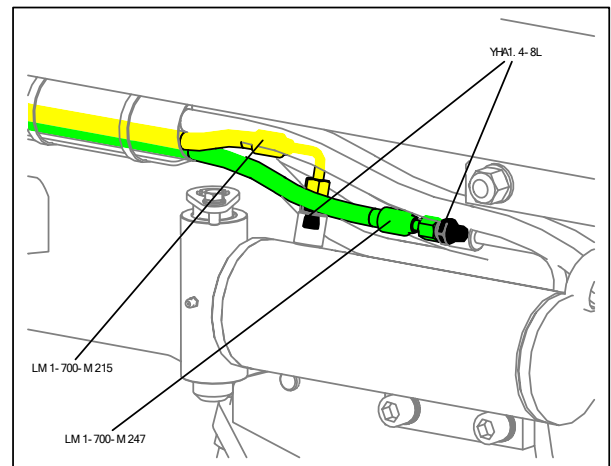
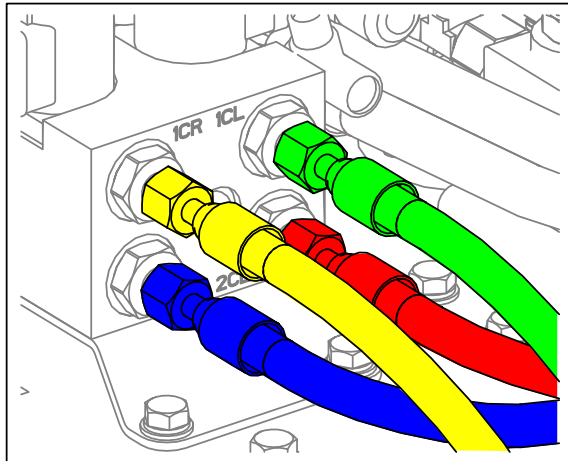


JIC HOSE	LOCATION ON YBLOCK5
LM1-700-J245	2CL
LM1-700-J246	2CR
LM1-700-J248	1CR
LM1-700-J247	1CL

Figure 114: 4-WAY CYLINDER HOSES JIC



METRIC HOSE CONFIGURATION



METRIC HOSE	LOCATION ON YBLOCK5
LM1-700-M245	2CL
LM1-700-M314	2CR
LM1-700-M215	1CR
LM1-700-M247	1CL

Figure 115: 4 WAY CYLINDER HOSES METRIC

## CHAPTER4: MASTS

## CHAPTER4.1: 3.1M MAST

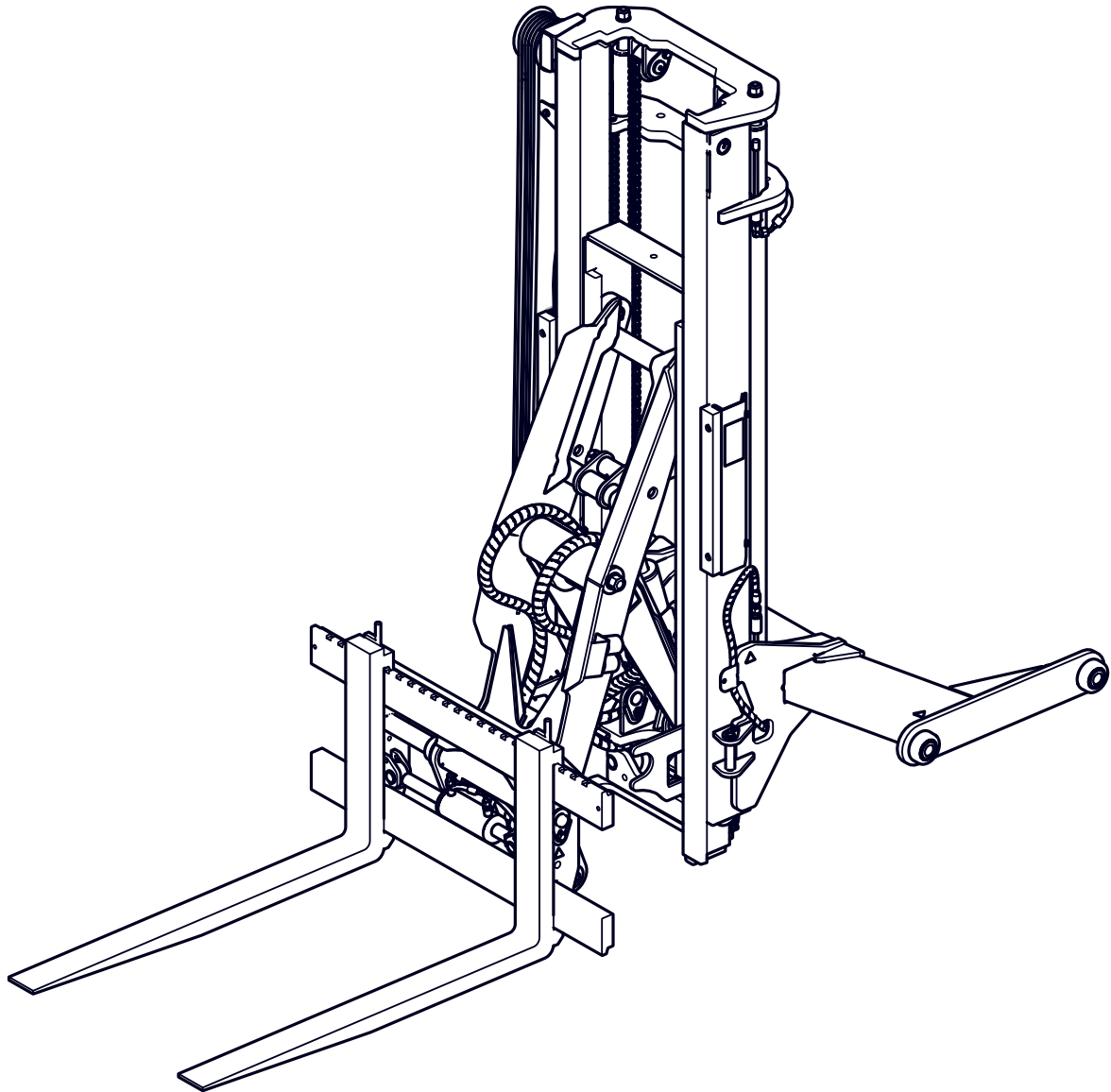


Figure 116: LM1-20-10 3.1M MAST ASSEMBLY

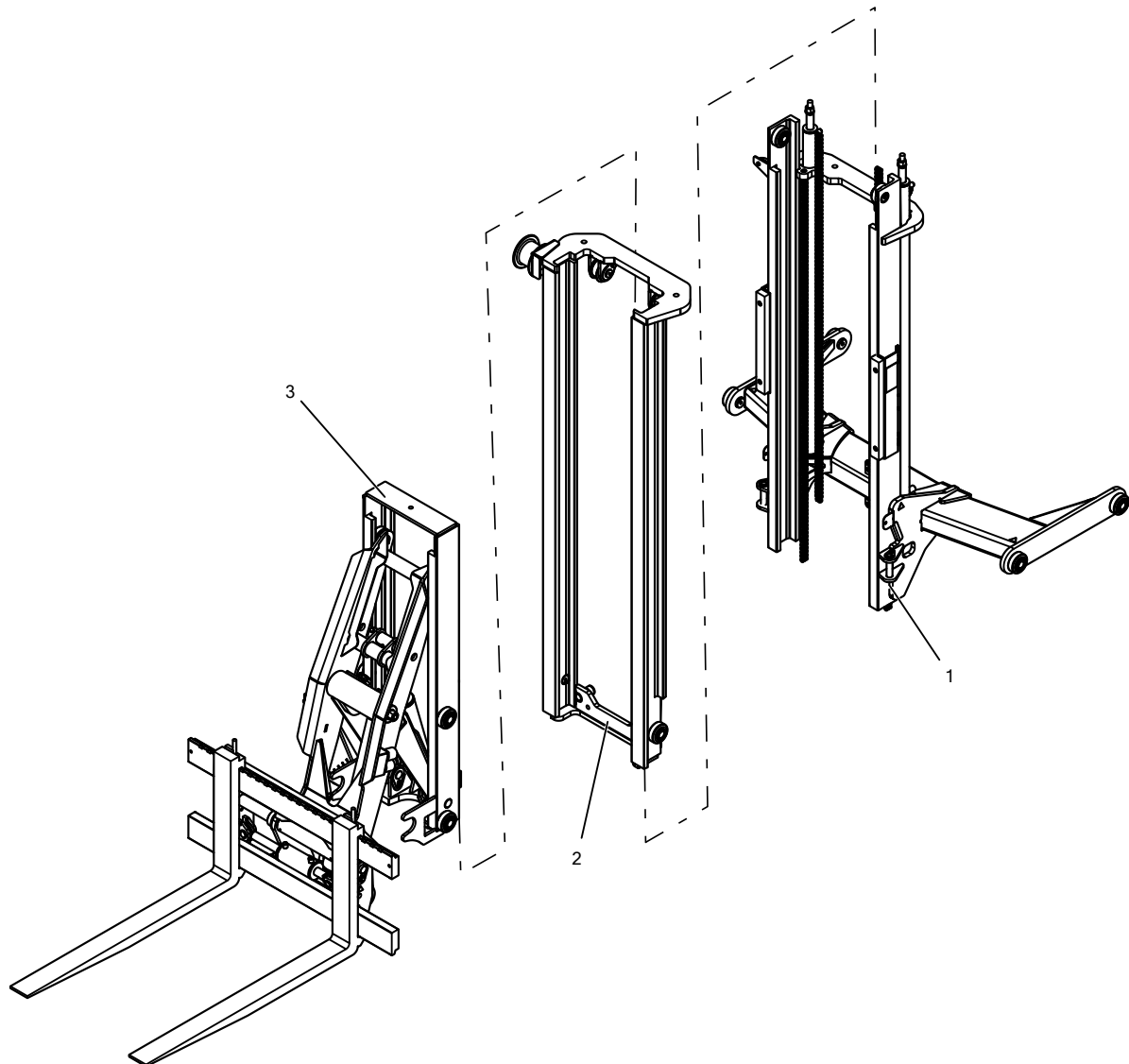


Figure 117: LM1-20-10 3.1M MAST ASSEMBLY - MAIN PARTS

ITEM	PART NUMBER	QTY	DESCRIPTION
1	LM1-202-50	1	STAGE 1 MAST 3.1M
2	LM1-204-00	1	STAGE 2 MAST 3.1M
3	LM1-24-00	1	STAGE 3 MAST COMMON

Table 50: LM1-20-10 3.1M MAST ASSEMBLY - MAIN PARTS - BOM:

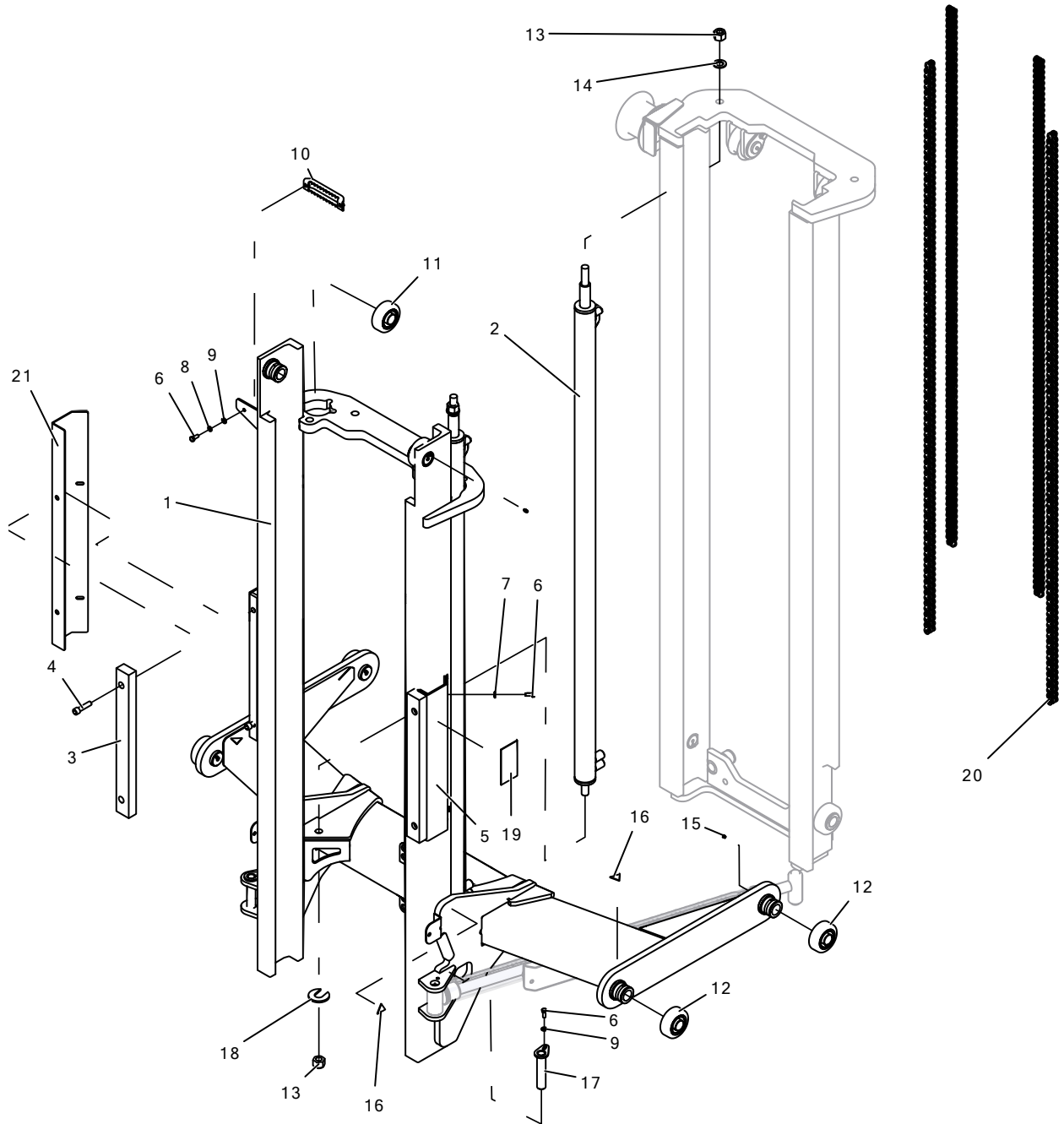


Figure 118: LM1-202-50 STAGE 1 MAST 3.1M

ITEM	PART NUMBER	QTY	DESCRIPTION
1	LM1-202-60	1	STAGE 1 3.1M MAST WA
2	LM1-210-05	2	3.1M LIFT CYLINDER
3	LM1-200-02	2	TRAILER PAD
4	XSC12050Z	4	M12x50 CAP HEAD SCREW 8.8
5	LM1-219-00	1	MAST PIPE CASING LHS
6	XS08020Z	8	M8 X 20 HEX HEAD SCREW 8.8
7	XW08CZB	4	M8 FORM C WASHER
8	XW08SZB	2	M8 SPRING WASHER
9	XW08AZ	4	M8 FORM A WASHER
10	LM1-224-00	1	HYDRAULIC HOSE CLAMP
11	YBEARING20	2	TAPERED MAST BEARING
12	YBEARING19	4	PARALLEL MAST BEARING
13	XN20N	4	M20 NYLOC NUT
14	XW20AZ	2	M20 FORM A WASHER
15	YGN0600	6	M6 GREASE NIPPLE STRAIGHT
16	LM1-901-32	4	DECAL - WARNING PINCH POINT
17	LM1-217-00	2	PIN ASSEMBLY
18	LM1-200-07	2	SPACER
19	LM1-901-13	2	DECAL - NO STAND UNDER/ON FORKS
20	YCHAINKIT1	1	3.1 MAST CHAIN KIT
21	LM1-219-00	1	MAST PIPE CASING RHS

LM1-202-50 STAGE 1 MAST 3.1M - BOM

## CHAPTER4.2: YCHAINKIT1

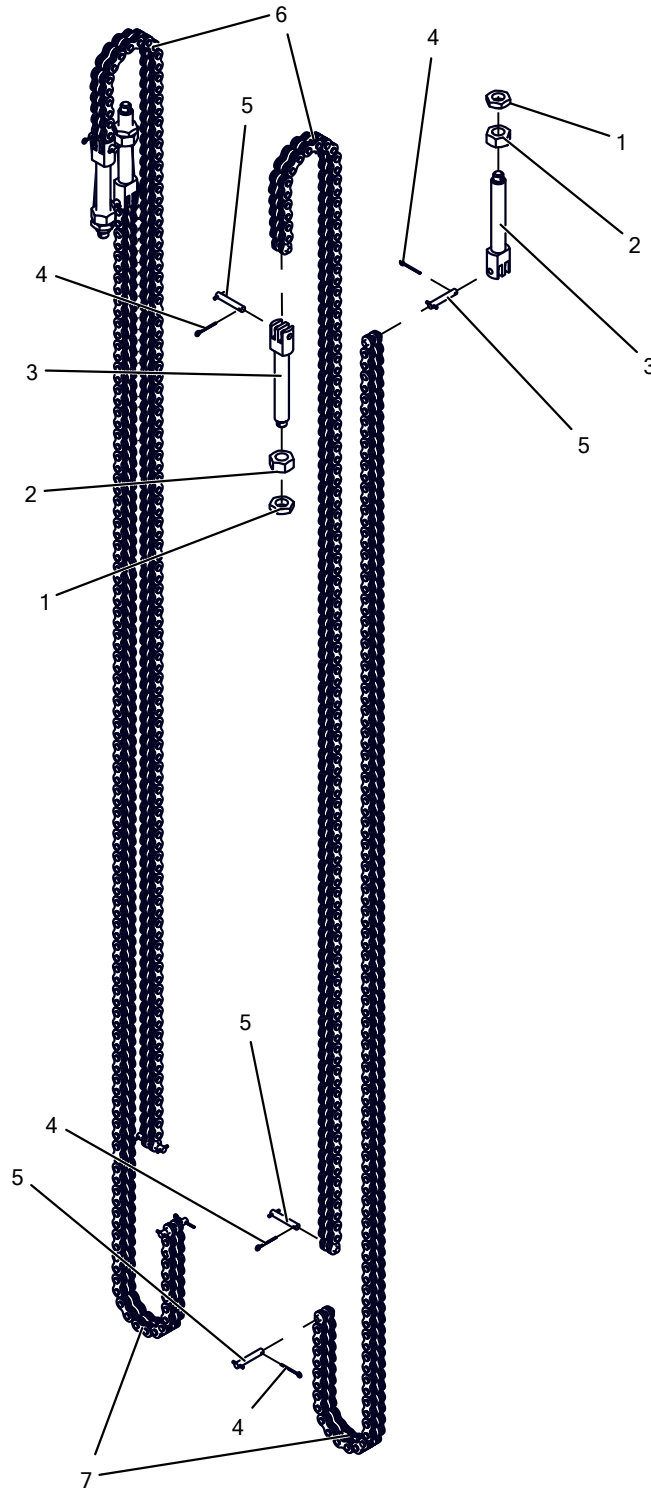


Figure 119: YCHAINKIT1



ITEM	PART NUMBER	QTY	DESCRIPTION	NOTES
1	XN20HZB	4	M20 HALF NUT	
2	XN20Z	4	M20 METRIC NUT	
3	YCHAINBOLT1	4	CHAIN BOLT	
4	XSP02032Z	8	SPLIT PIN	
5	YCHAINPIN1	8	PIN FOR YCHAINBOLT1 (BL344) - SHORT	
6	CHAIN A 55 LINKS	2	CHAIN A 55 LINKS	
7	CHAIN B 56 LINKS	2	CHAIN B 56 LINKS	

Table 51: YCHAINKIT1 BOM

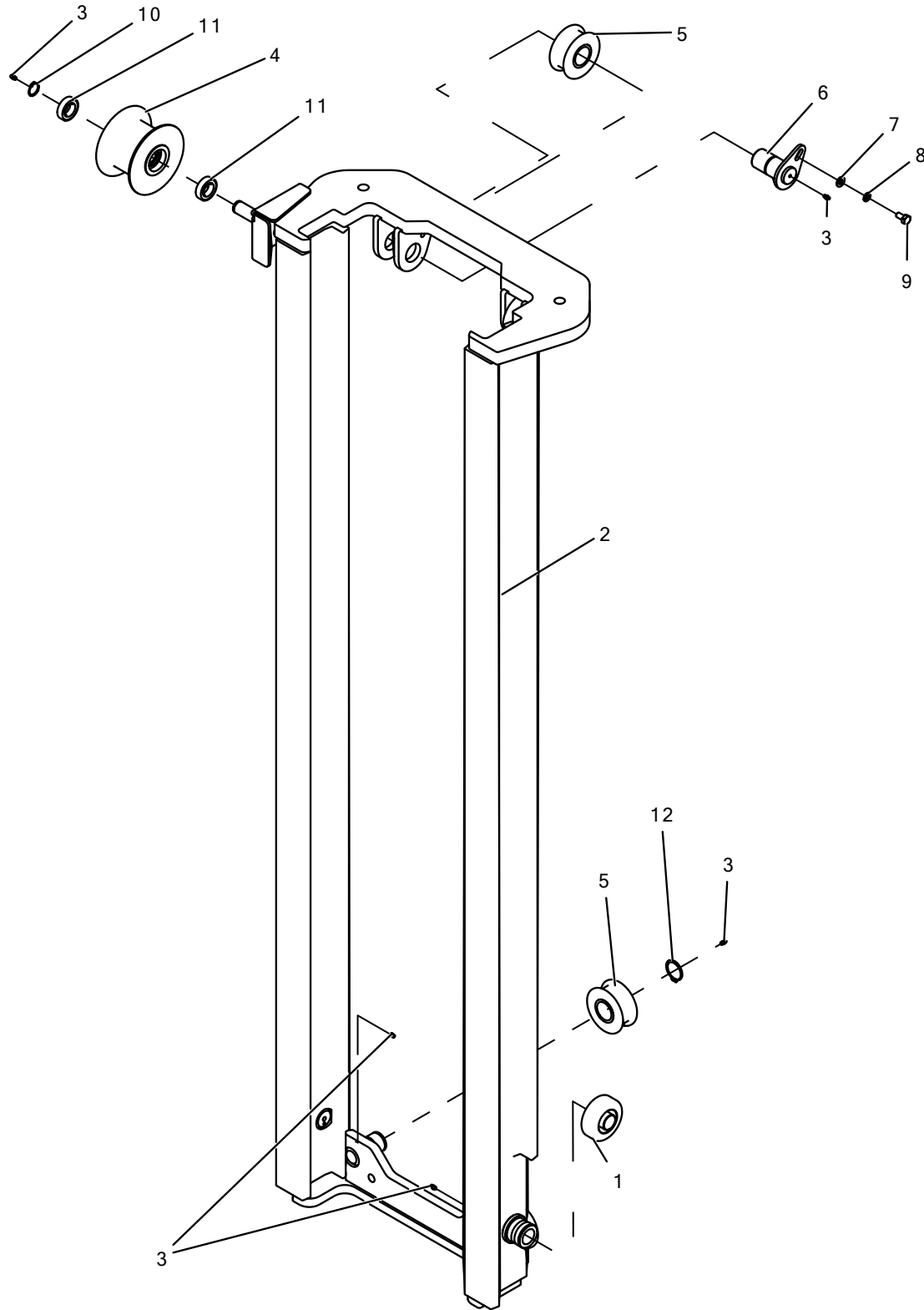


Figure 120: LM1-204-00 STAGE 2 MAST 3.1M

ITEM	PART NUMBER	QTY	DESCRIPTION	NOTES
1	YBEARING19	2	PARALLEL MAST BEARING	
2	LM1-205-00	1	STAGE 2 3.1M MAST WA	
3	YGN0600	5	YGN0600 GREASE NIPPLE	
4	LM1-204-01	1	MAST HOSE ROLLER 6-BERTH (FOR ADDITIONAL 2-AUXILIARY HOSES USE LM1-204-02 8-BERTH HOSE ROLLER)	
5	YROLLER1	4	MAST CHAIN ROLLER	
6	LM1-206-00	2	CHAIN ROLLER PIN ASSY	
7	XW10AZ	2	M10 FORM A WASHER	
8	XW10SZ	2	M10 SPRING WASHER	
9	XS10020Z	2	M10 X 20 HEX HEAD SCREW 8.8	
10	YCIRCLIP5	1	25.0 SHAFT EXTERNAL CIRCLIP	
11	YBEARING18	2	HOSE ROLLER BEARING	
12	YCIRCLIP6	2	40.0 SHAFT EXTERNAL CIRCLIP	

Table 52: LM1-204-00 STAGE 2 MAST 3.1M - BOM

## CHAPTER4.4: 3.1M MAST STAGES 1 AND 2 – HYDRAULICS

**INTENTIONALLY LEFT BLANK**

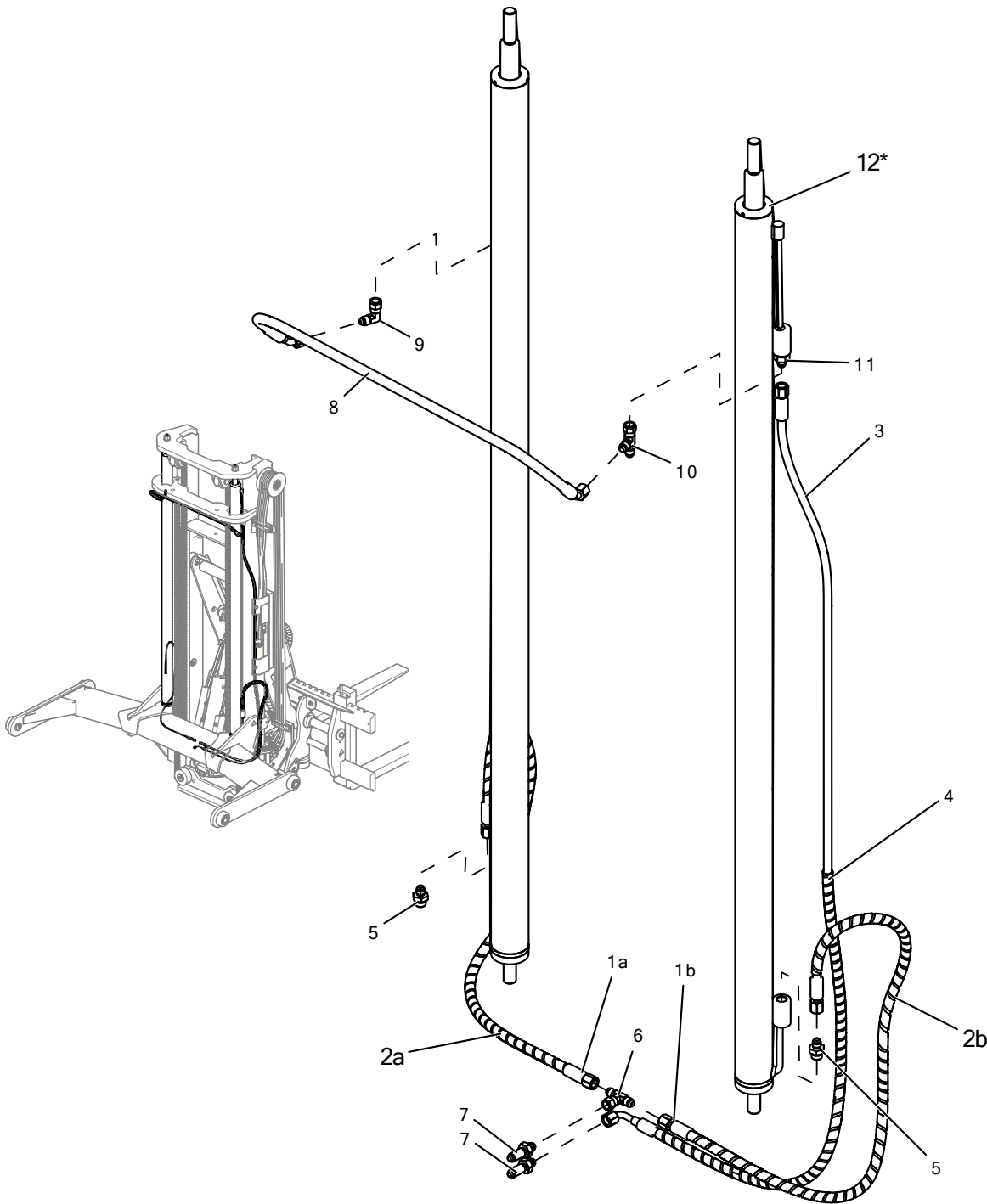


Figure 121:3.1M LIFT CYLINDER HOSE DETAIL JIC

ITEM	PART NUMBER	QTY	DESCRIPTION	NOTES
1a	LM1-700-344 [179-184]	1	HYDRAULIC HOSE	
1b	LM1-700-344 [177-182]	1	HYDRAULIC HOSE	
2a	LM1-700-344 [179-184] HOSE SPIRAL WRAP	1	HOSE SPIRAL WRAP	
2b	LM1-700-344 [177-182] HOSE SPIRAL WRAP	1	HOSE SPIRAL WRAP	
3	LM1-700-346 [178-180]	1	HYDRAULIC HOSE	
4	LM1-700-346 [178-180] HOSE SPIRAL WRAP	1	HOSE SPIRAL WRAP	
5	YHAR-2MM-3-8-9-16J	2	3/8" BSP M TO 9/16"J M W/ SEAL & 2MM RESTRICTOR	
6	YHT9-16JMMF	1	9/16J-18 TEE MFM MALE ON BRANCH	
7	YHB9.16J	2		
8	LM1-700-345 [181-183]	1	HYDRAULIC HOSE	
9	YHA9.16JMFE	1	9/16J-18 MF SWIVLE ELBOW	
10	YHT9-16JMFM	1	9/16J-18 TEE MFM MALE ON BRANCH	
11	YHA3.8-9.16J	2	3/8" BSP M W/ SEAL TO 9/16J-18 M	
12*	YSEALKIT6	1	SEALKIT FOR 50/30 CYLINDER	

Table 53: 3.1M LIFT CYLINDER HOSE DETAIL JIC - BOM

**INTENTIONALLY LEFT BLANK**



## CHAPTER4.5: 3.6M MAST

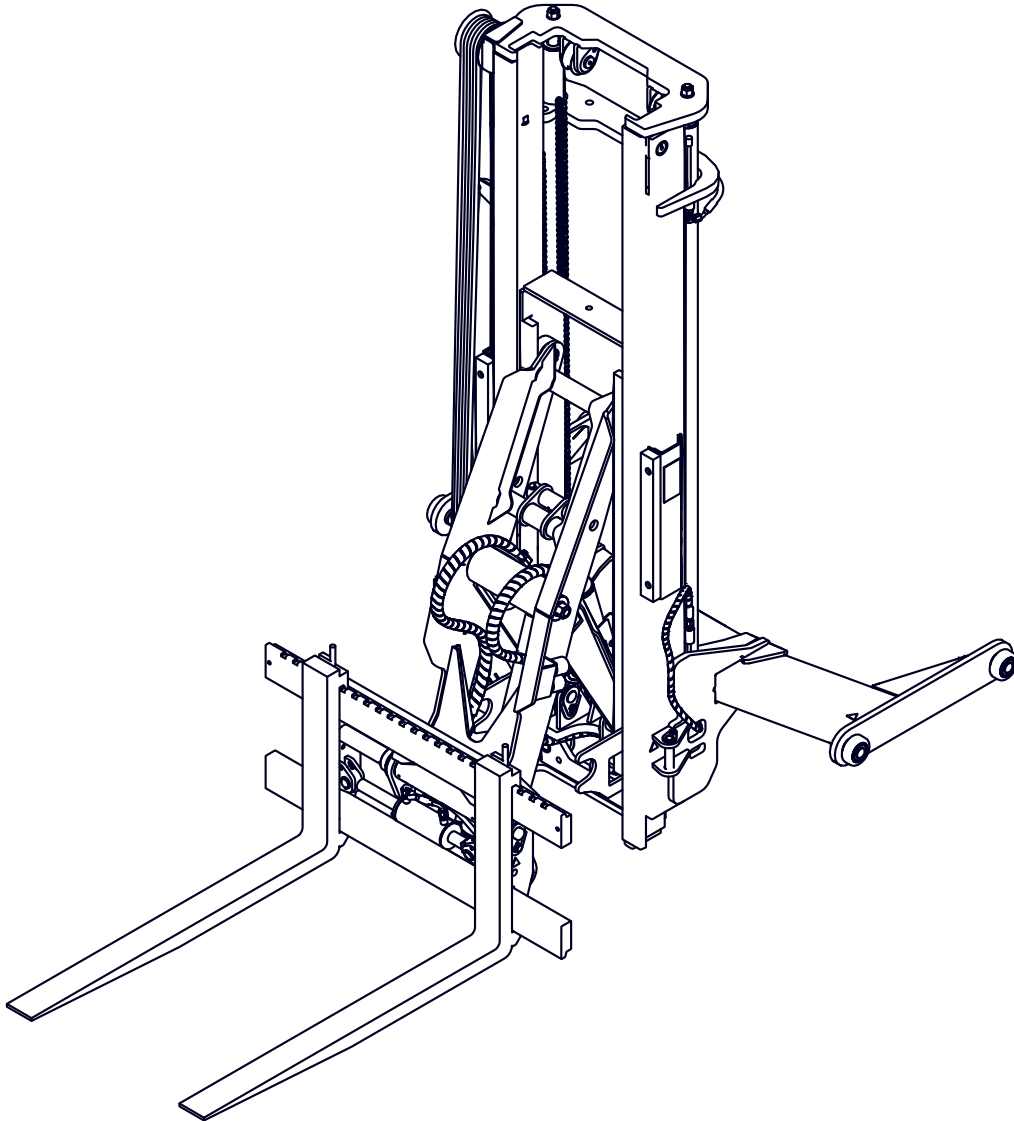
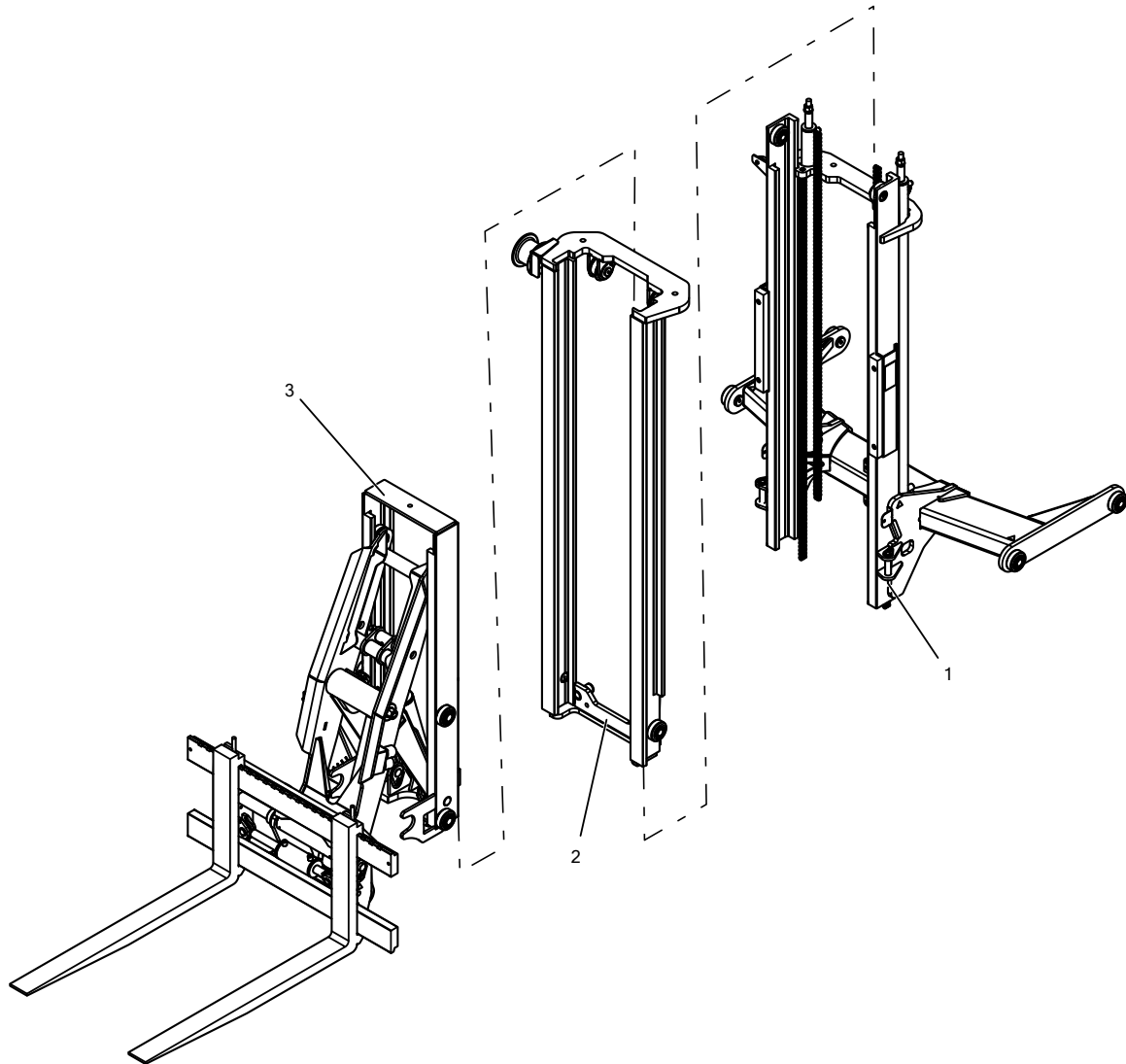


Figure 122: LM1-21-10 3.6M MAST ASSEMBLY



ITEM	PART NUMBER	QTY	Description	NOTES
1	LM1-232-50	1	STAGE 1 MAST 3.6M	
2	LM1-223-03	1	STAGE 2 MAST 3.6M	
3	LM1-24-00	1	STAGE 3 MAST COMMON	

Table 54: LM1-21-10 3.1M MAST ASSEMBLY - MAIN PARTS - BOM:

**INTENTIONALLY LEFT BLANK**

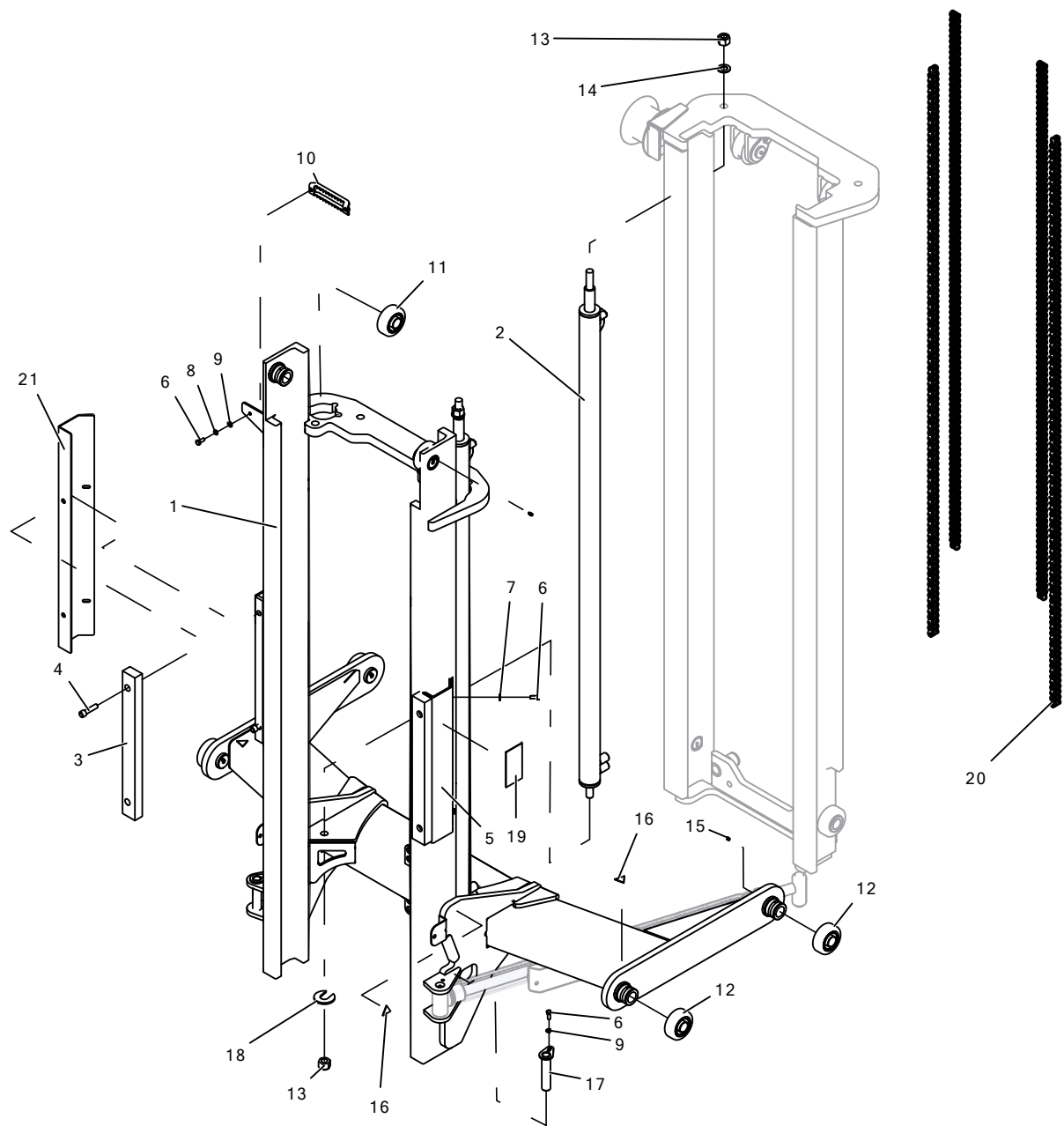


Figure 123: LM1-232-50 STAGE 1 MAST 3.6M

	PART NUMBER	QTY	Description	NOTES
1	LM1-232-60	1	STAGE 1 3.6M MAST WELD ASSEMBLY	
2	LM1-210-53	2	3.6M LIFT CYLINDER	
3	LM1-200-02	2	TRAILER PAD	
4	XSC12050Z	4	M12x50 CAP HEAD SCREW 8.8	
5	LM1-219-00	1	MAST PIPE CASING LHS	
6	XS08020Z	8	M8 X 20 HEX HEAD SCREW 8.8	
7	XW08CZB	4	M8 FORM C WASHER	
8	XW08SZB	2	M8 SPRING WASHER	
9	XW08AZ	4	M8 FORM A WASHER	
10	LM1-224-00	1	HYDRAULIC HOSE CLAMP	
11	YBEARING20	2	TAPERED MAST BEARING	
12	YBEARING19	4	PARALLEL MAST BEARING	
13	XN20N	4	M20 NYLOC NUT	
14	XW20AZ	2	M20 FORM A WASHER	
15	YGN0600	6	M6 GREASE NIPPLE STRAIGHT	
16	LM1-901-32	4	DECAL - WARNING PINCH POINT	
17	LM1-217-00	2	PIN ASSEMBLY	
18	LM1-200-07	2	SPACER	
19	LM1-901-13	2	DECAL - NO STAND UNDER/ON FORKS	
20	YCHAINKIT2	1	3.6 MAST CHAIN KIT	
21	LM1-218-00	1	MAST PIPE CASING RHS	

Table 55: LM1-232-50 STAGE 1 MAST 3.6M - BOM

## CHAPTER 4.6: YCHAINKIT2

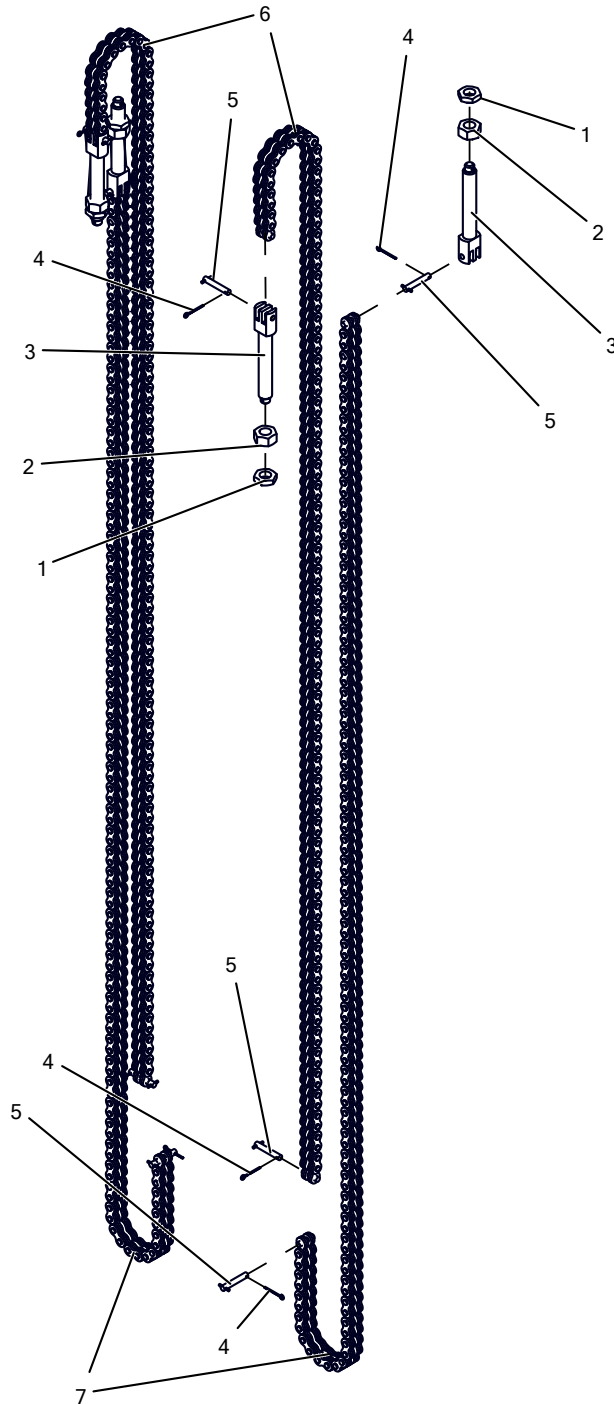


Figure 124: YCHAINKIT2

ITEM	PART NUMBER	QTY	DESCRIPTION	NOTES
1	XN20HZB	4	M20 HALF NUT	
2	XN20Z	4	M20 METRIC NUT	
3	YCHAINBOLT1	4	CHAIN BOLT	
4	XSP02032Z	8	SPLIT PIN	
5	YCHAINPIN1	8	PIN FOR YCHAINBOLT1 (BL344) - SHORT	
6	CHAIN C 61 LINKS	2	CHAIN C 61 LINKS	
7	CHAIN D 62 LINKS	2	CHAIN D 62 LINKS	

Table 56: YCHAINKIT2 BOM



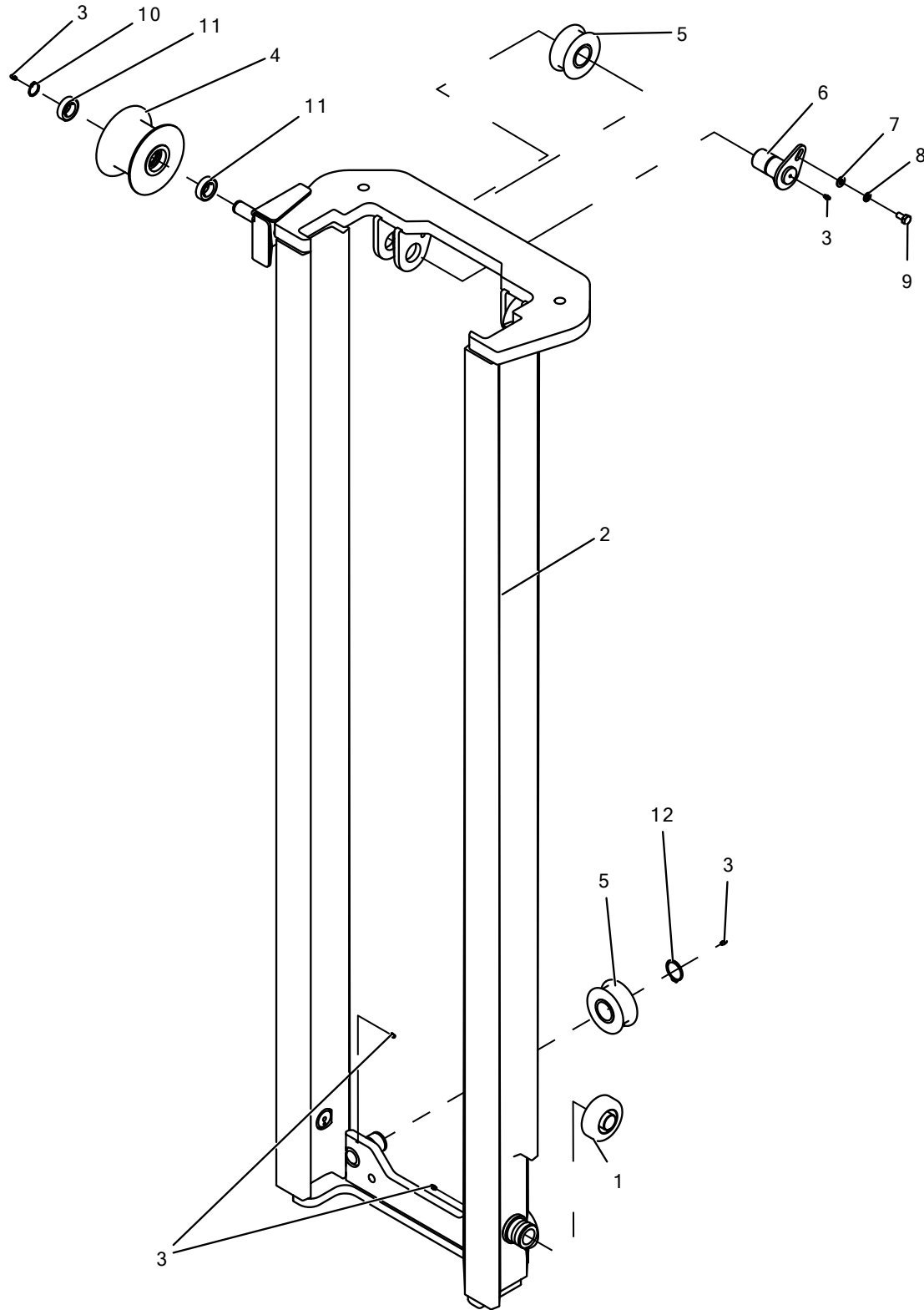


Figure 125: LM1-223-03 STAGE 2 MAST 3.6M

ITEM	PART NUMBER	QTY	Description	NOTES
1	YBEARING19	2	PARALLEL MAST BEARING	
2	LM1-223.02	1	STAGE 2 3.6M MAST WA	
3	YGN0600	4	YGN0600 GREASE NIPPLE	
4	LM1-204-01	1	MAST HOSE ROLLER 6-BERTH (FOR ADDITIONAL 2-AUXILIARY HOSES USE LM1-204-02 8- BERTH HOSE ROLLER)	
5	YROLLER1	4	MAST CHAIN ROLLER	
6	LM1-206-00	2	CHAIN ROLLER PIN ASSY	
7	XW10AZ	2	M10 FORM A WASHER	
8	XW10SZ	2	M10 SPRING WASHER	
9	XS10020Z	2	M10 X 20 HEX HEAD SCREW 8.8	
10	YCIRCLIP5	1	25.0 SHAFT EXTERNAL CIRCLIP	
11	YBEARING18	2	HOSE ROLLER BEARING	
12	YCIRCLIP6	2	40.0 SHAFT EXTERNAL CIRCLIP	

Table 57: LM1-205-00 STAGE 2 MAST 3.6M - BOM

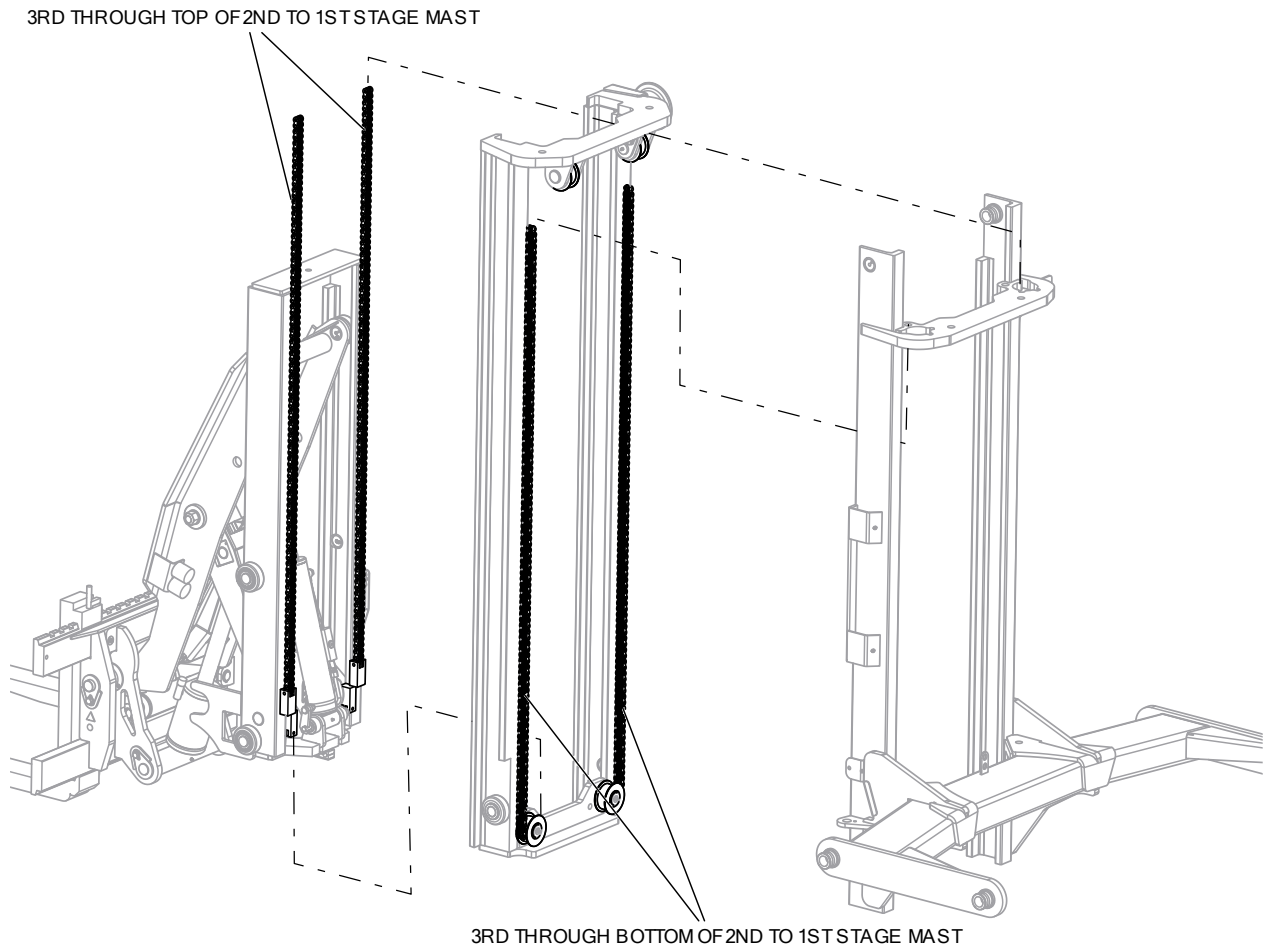


Figure 126: LM1-21-10 YCHAINKIT2 ARRANGEMENT

## CHAPTER4.7: 3.6M MAST STAGES 1 AND 2 - HYDRAULICS

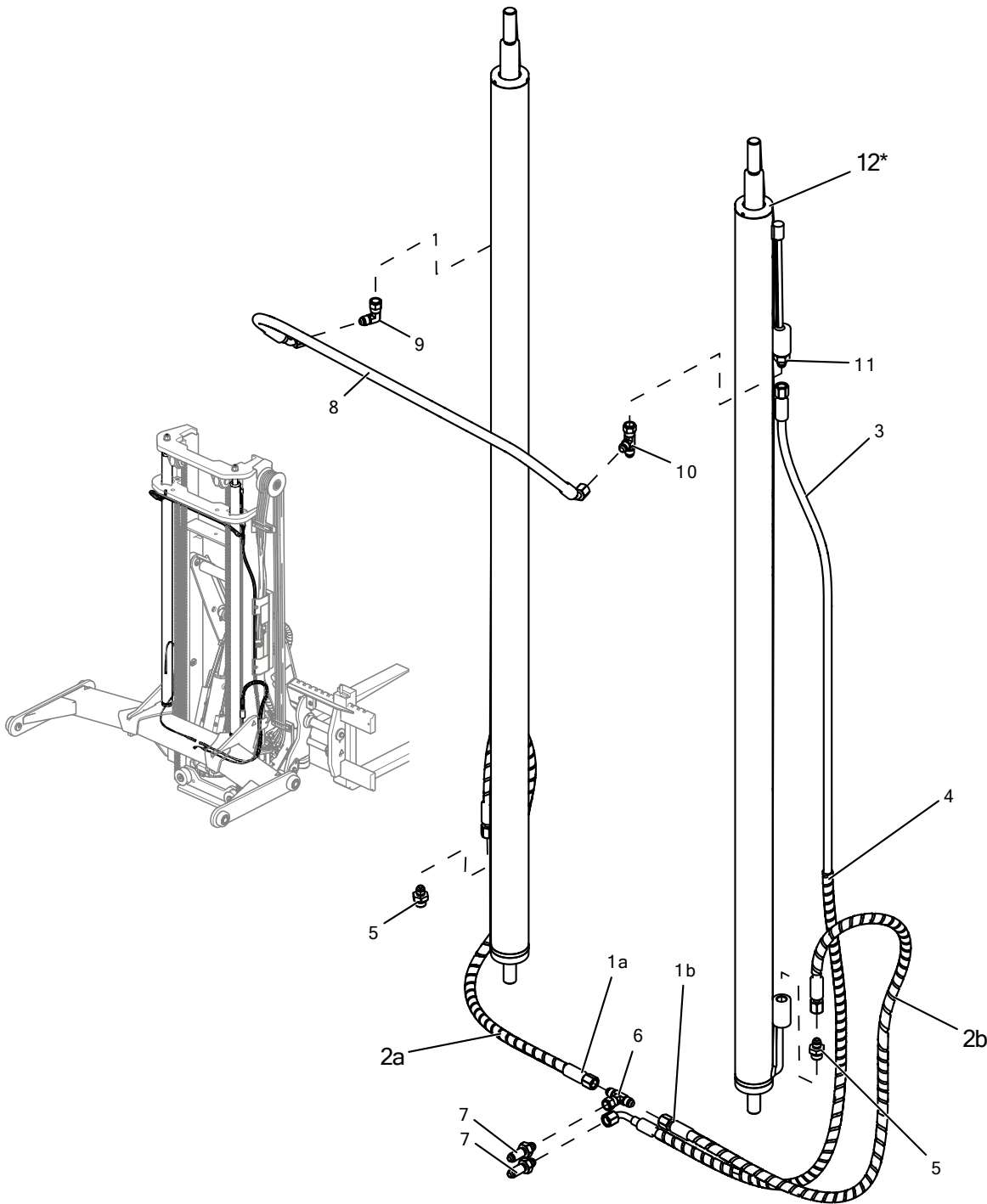


Figure 127:3.6M LIFT CYLINDER HOSE DETAIL JIC

ITEM	PART NUMBER	QTY	Description	NOTES
1a	LM1-700-344 [179-184]	1	HYDRAULIC HOSE	
1b	LM1-700-344 [177-182]	1	HYDRAULIC HOSE	
2a	LM1-700-344 [179-184] HOSE SPIRAL WRAP	1	HOSE SPIRAL WRAP	
2b	LM1-700-344 [177-182] HOSE SPIRAL WRAP	1	HOSE SPIRAL WRAP	
3	LM1-700-347 [178-180]	1	HYDRAULIC HOSE	
4	LM1-700-346 [178-180] HOSE SPIRAL WRAP	1	HOSE SPIRAL WRAP	
5	YHAR-2MM-3-8-9-16J	2	3/8" BSP M TO 9/16"J M W/ SEAL & 2MM RESTRICTOR	
6	YHT9-16JMMF	1	9/16J-18 TEE MFM MALE ON BRANCH	
7	YHB9.16J	2		
8	LM1-700-345 [181-183]	1	HYDRAULIC HOSE	
9	YHA9.16JMFE	1	9/16J-18 MF SWIVLE ELBOW	
10	YHT9-16JMFM	1	9/16J-18 TEE MFM MALE ON BRANCH	
11	YHA3.8-9.16J	2	3/8" BSP M W/ SEAL TO 9/16J- 18 M	
12*	YSEALKIT6	1	SEALKIT FOR 50/30 CYLINDER	

Table 58: 3.6M LIFT CYLINDER HOSE DETAIL JIC - BOM

## CHAPTER4.8: STAGE 3 MAST COMMON

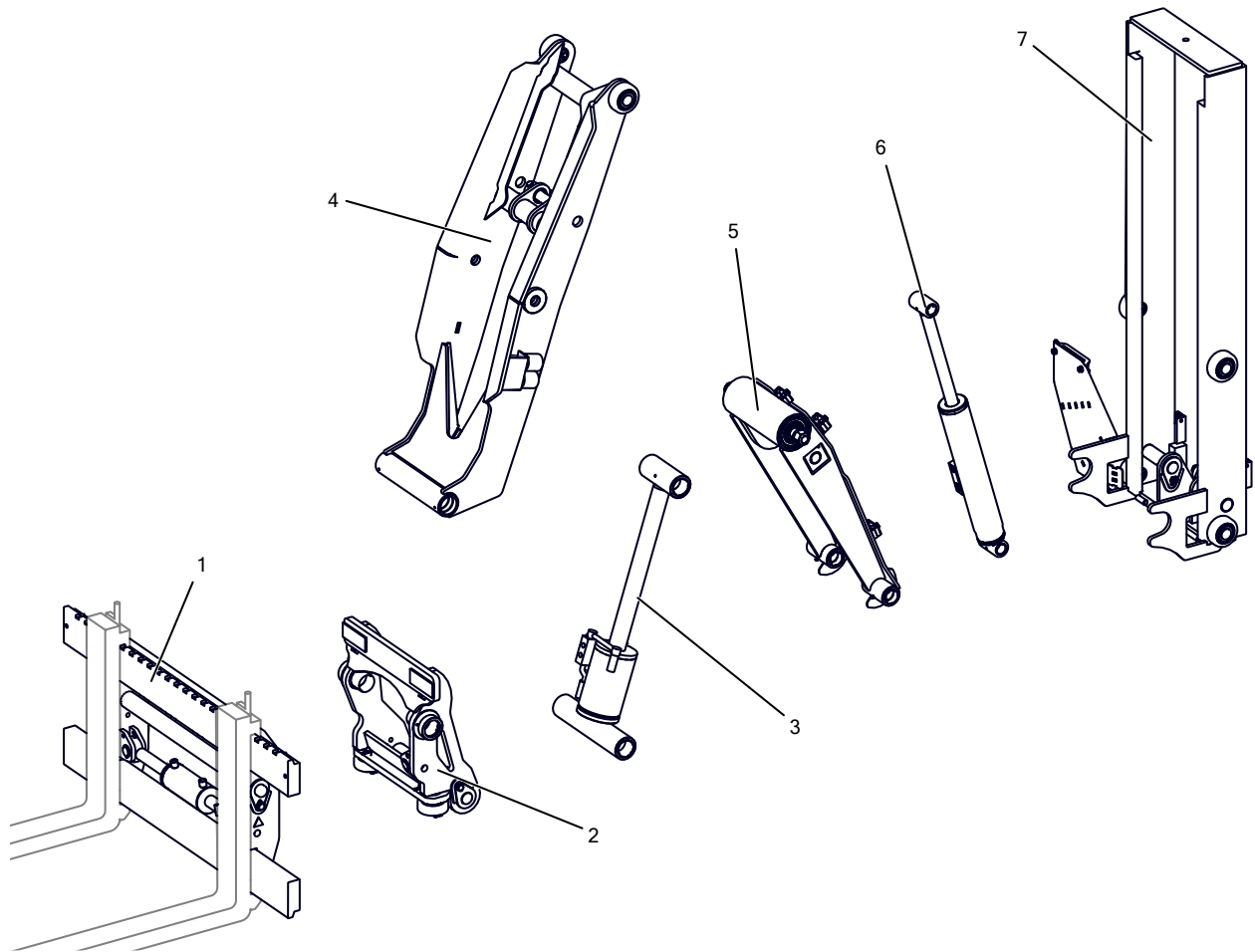


Figure 128: LM1-24-00 STAGE 3 MAST COMMON

ITEM	QTY	DESCRIPTION	NOTES
1	1	FORK CARRIAGE PARTS	
1	1	TILT CARRIAGE PARTS	
3	1	TILT CYLINDER PARTS	
4	1	LONG ISR PARTS	
5	1	SHORT ISR PARTS	
6	1	ISR REACH CYCLINDER PARTS	
7	1	3RD STAGE MAST BODY	

Table 59: LM1-24-00 STAGE 3 MAST COMMON - BOM



**INTENTIONALLY LEFT BLANK**

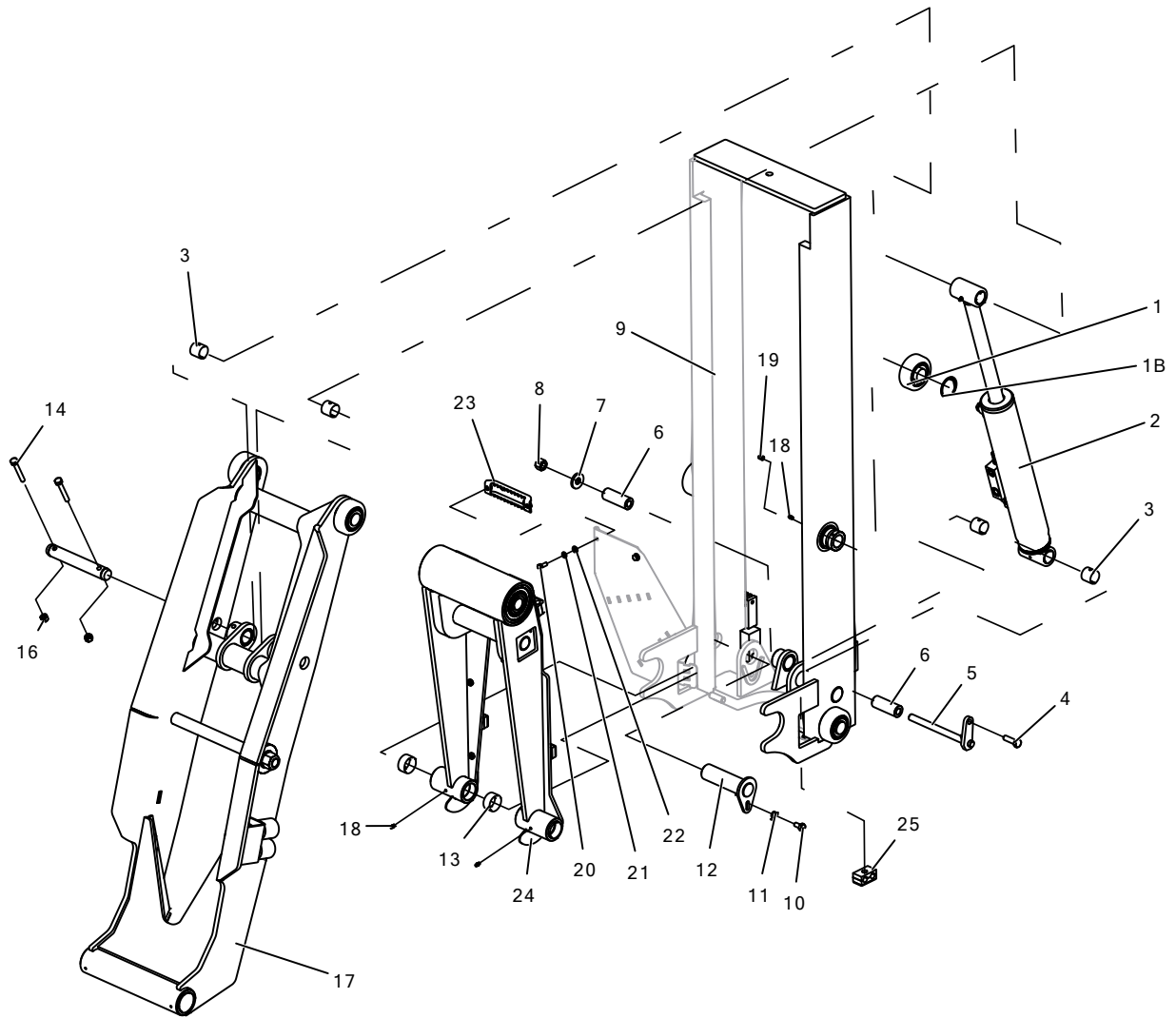


Figure 129: LM1-24-00 3RD STAGE BODY TO ISR PARTS

ITEM	PART NUMBER	QTY	DESCRIPTION	NOTES
1	YBEARING20	4	825 TAPERED MAST BEARING	
1B	YBEARING20CIRCLIP	1	CIRCLIP FOR YBEARING20	
2*	LM1-210-14	1	ISR REACH CYLINDER (INCLUDES 4 X YBUSH7 AND 2 X YGN0500) *PIPEKIT LM1-210-04-14P AND YSEALKIT6 CAN BE SUPPLIED SEPERATELY	
3	YBUSH7	4	ISR & 4 WAY RAM DX BUSH	
4	XB12040Z	1	M12 X 40 HEX HEAD SCREW 8.8	
5	LM1-230-14	1	ISR LOWER PIN SECURING BOLT ASSY	
6	LM1-230-05	2	SPACER	
7	LM1-230-20	1	SPACER	
8	XN16N	1	M16 NYLOC NUT	
9	LM1-207-00	1	STAGE 3 MAST WA	
10	XS10020Z	2	M10 X 20 HEX HEAD SCREW 8.8	
11	XW10TAB	2	M10-3/8 DOUBLE TAP WASHER	
12	LM1-215-00	2	ISR SHORT LINK ARM PIN	
13	YBUSH6	4	LOWER SHORT LINK ARM BUSH	
14	XS10070Z	2	M10 X 70 HEX HEAD SCREW 8.8	
15	LM1-230-08	1	PIN - ISR CYLINDER	
16	XN10N	2	M10 NYLOC NUT	
17	LM1-208-00	1	LONG LINK ISR ARM WA	
18	YGN0500	2	M5 GREASE NIPPLE	
19	XG10012	4	M10X12MM SKT GRUBSCREW	
20	XS08020Z	2	M8 X 20 HEX HEAD SCREW 8.8	
21	XW08SZB	2	M8 SPRING WASHER	
22	XW08AZ	2	M8 FORM A WASHER	
23	LM1-224-00	1	HOSE CLAMP WA	
24	LM1-209-00	1	SHORT LINK ISR ARM WA	
25	YPCT15	1	HOSE CLAMP NYLON BLOCK 15MM	

Table 60: LM1-24-00 3RD STAGE BODY TO ISR PARTS – BOM

Valid for truck 855-713 to date

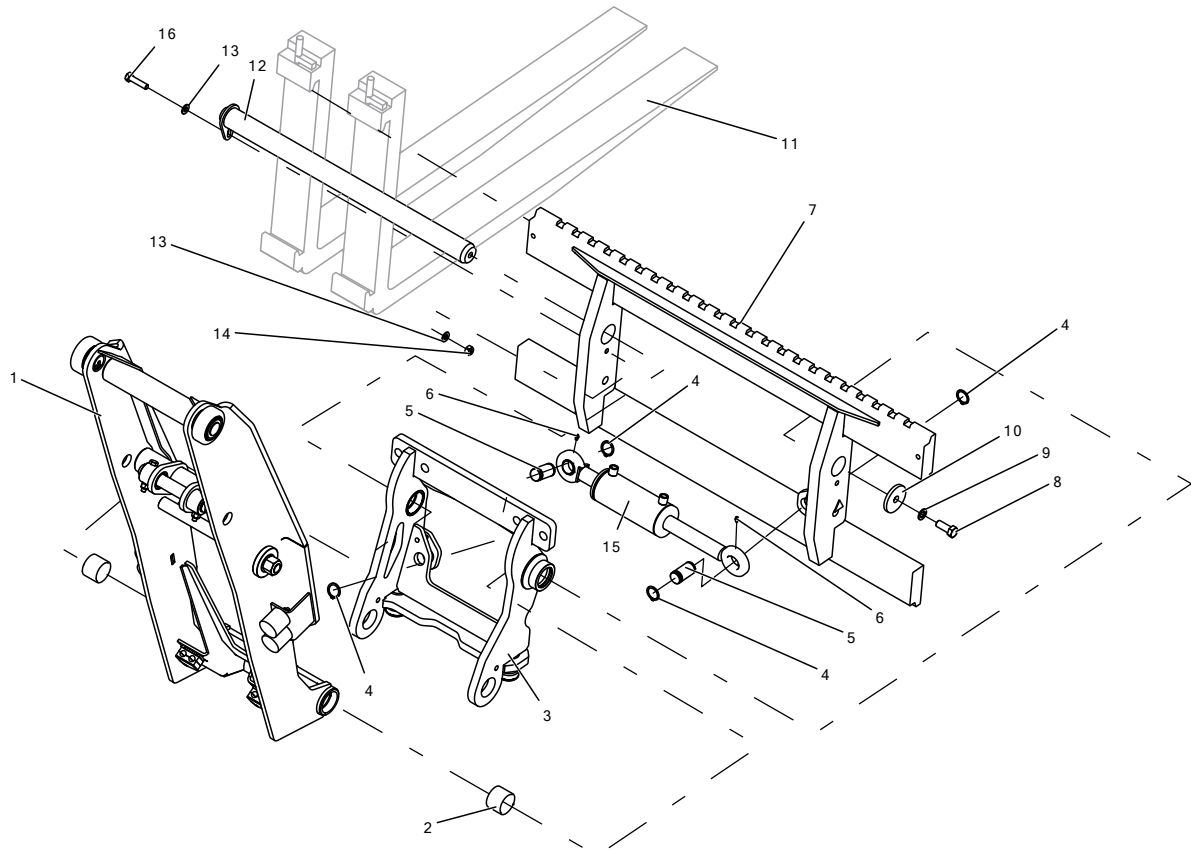


Figure 130: LM1-24-00 FORK CARRIAGE

ITEM	PART NUMBER	QTY	DESCRIPTION	NOTES
1	LM1-208-00	1	LONG LINK ISR ARM WA	
2	YBUSH5	2	TILT CYLINDER FORK CARRIAGE DX BUSH	
3	LM1-211-00	1	TILT CARRIAGE WA	
4	YCIRCLIP13	4	30MM EXT. CIRCLIP	
5	LM1-217-05	2	SIDE SHIFT PIN	
6	YGN0600	2	M6 GREASE NIPPLE	
7	LM1-212-00	1	FORK CARRIAGE WA	
8	XS16040Z	1	M16 X 40 HEX HEAD SCREW 8.8	
9	XW16SZ	1	M16 SPRING WASHER	
10	LM1-210-12	1	RETAINING WASHER	
11	FORKS	2	FORKS AVAILABLE AS OPTIONS	
12	LM1-213-00	1	FORK CARRIAGE SLIDE PIN	
13	XW12AZ	2	M12 FORM A WASHER	
14	XN12N	1	M12 NYLOC NUT	
15	LM1-210-09	1	SIDE SHIFT CYLINDER	
16	XS12050Z	1	M12 X 50 HEX HEAD SCREW 8.8	

Table 61: LM1-24-00 FORK CARRIAGE – BOM

LOADMAC Doc No: LM1-970-05

Valid for truck 855-713 to date



**INTENTIONALLY LEFT BLANK**

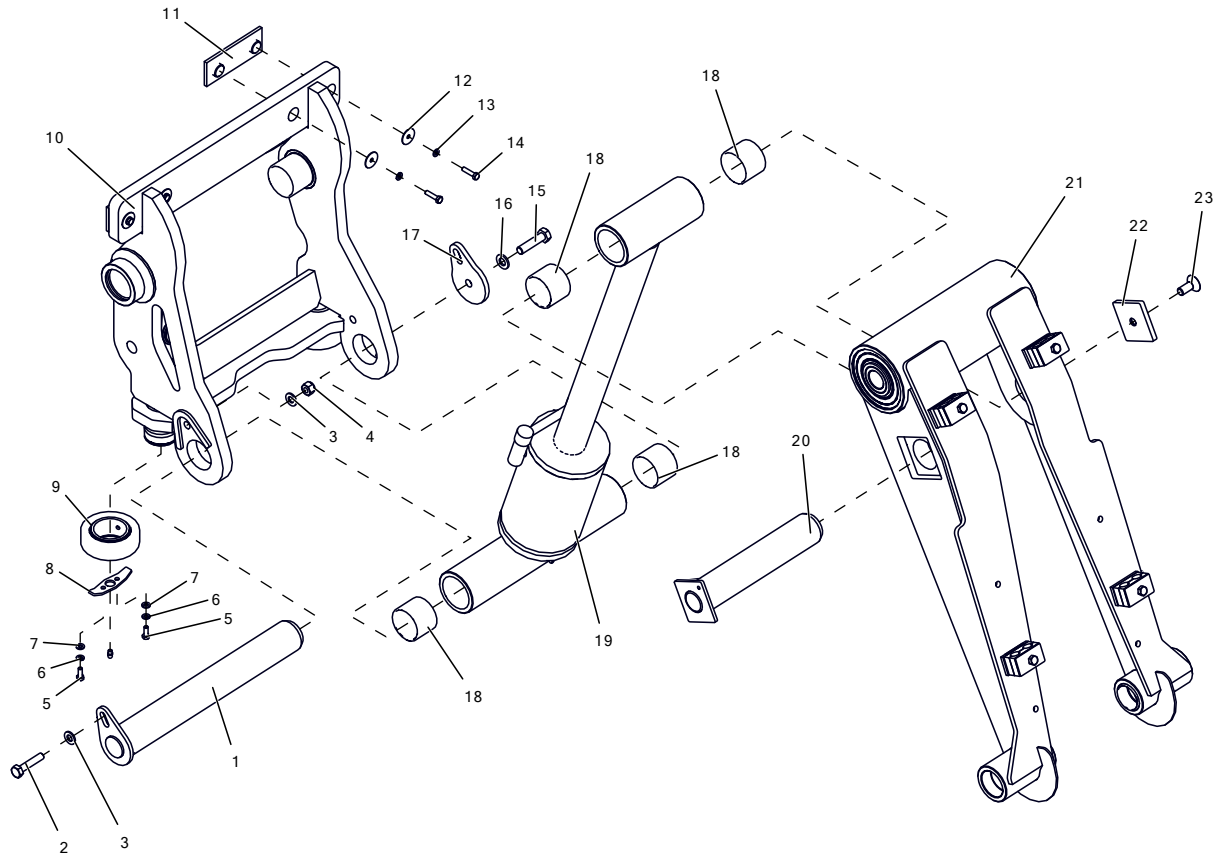


Figure 131: LM1-24-00 SHORT ISR TO TILT CARRIAGE

ITEM	PART NUMBER	QTY	DESCRIPTION	NOTES
1	LM1-214-00	1	PIN ASSEMBLY – TILT CYLINDER BOTTOM	
2	XS10050Z	1	M10 X 50 HEX HEAD SCREW 8.8	
3	XW10AZ	2	M10 FORM A WASHER	
4	XN10N	1	M10 NYLOC NUT	
5	XS06016Z	4	M6 X 16 HEX HEAD SCREW 8.8	
6	XW06SZ	4	M6 SPRING WASHER	
7	XW06AZ	4	M6 FORM A WASHER	
8	LM2-200-22	2	KEEPER PLATE - CARRIAGE ROLLERS	
9	YBEARING19	2	STRAIGHT BEARING	
10	LM1-211-50	1	TILT FRAME	
11	YPAD1	2	WEAR PAD	
12	XW06RPZ	6	M6 REPAIR WASHER	
13	XW06SZ	6	M6 SPRING WASHER	
14	XS06025Z	6	M6 X 25 HEX HEAD SCREW 8.8	
15	XS12050Z	1	M12 X 50 HEX HEAD SCREW 8.8	
16	XW12AZ	1	M12 FORM A WASHER	
17	LM1-210-01	1	RETAINING WASHER	
18	YBUSH5	4	DX BUSH	
19	LM1-210-03	1	TILT CYLINDER	
20	LM1-216-00	1	SHORT LINK ISR ARM PIN ASSEMBLY	
21	LM1-209-00	1	SHORT LINK ISR ARM	
22	LM1-220-00	1	SHORT LINK ISR SQUARE RETAINING WASHER	
23	XSK12030SKTZ	1	M12 X 30 CSUNK SCREW 8.8	

Table 62: LM1-24-00 SHORT ISR TO TILT CARRIAGE - BOM

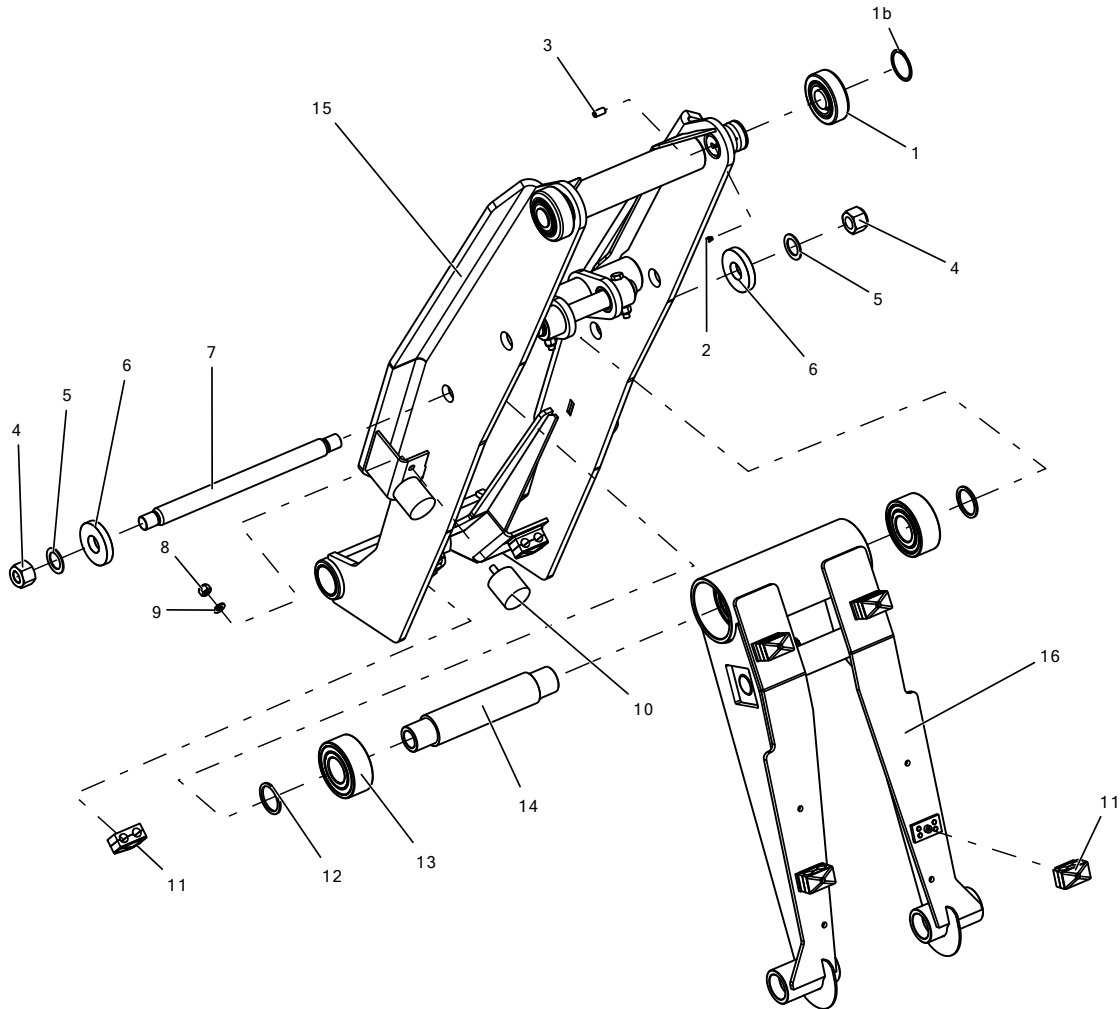


Figure 132: LM1-24-00 LONG ISR TO SHORT ISR



ITEM	PART NUMBER	QTY	DESCRIPTION	NOTES
1	YBEARING19	2	STRAIGHT MAST BEARING SET	
1b	YBEARING19CIRCLIP	2	CIRCLIP FOR YBEARING19	
2	YGN0600	2	GREASE NIPPLE	
3	XG10020Z	2	M10 X 20 GRUB SCREW	
4	XN24NFINE	2	M12 FINE NYLOC NUT	
5	LM2-209-04	2	ISR PIVOT WASHER	
6	LM1-221-14	2	BOSS - LONG PANTOGRAPH ARM	
7	LM2-209-02	1	SPINDLE - PANTOGRAPH PIVOT	
8	XN10N	4	M10 NYLOC NUT	
9	XW10Z	4	M10 FORM A WASHER	
10	YBUFFER4	4	50X50 RUBBER BUFFER	
11	YPCT15	6	HOSE CLAMP TOP PIECE	
12	LM2-209-01	2	SPACER - PIVOT BEARING	
13	YBEARING21	2	DOUBLE ROW ANGULAR CONTACT BEARING	
14	LM2-209-00	1	X-TUBE - PANTOGRAPH PIVOT	
15	LM1-208-00	1	LONG LINK ARM	
16	LM1-209-00	1	SHORT LINK ARM	

Table 63: LM1-24-00 LONG ISR TO SHORT ISR - BOM

## CHAPTER4.9: STAGE 3 MAST COMMON - HYDRAULICS

## CHAPTER4.10: TILT CYLINDER WITH HOSE CONNECTIONS

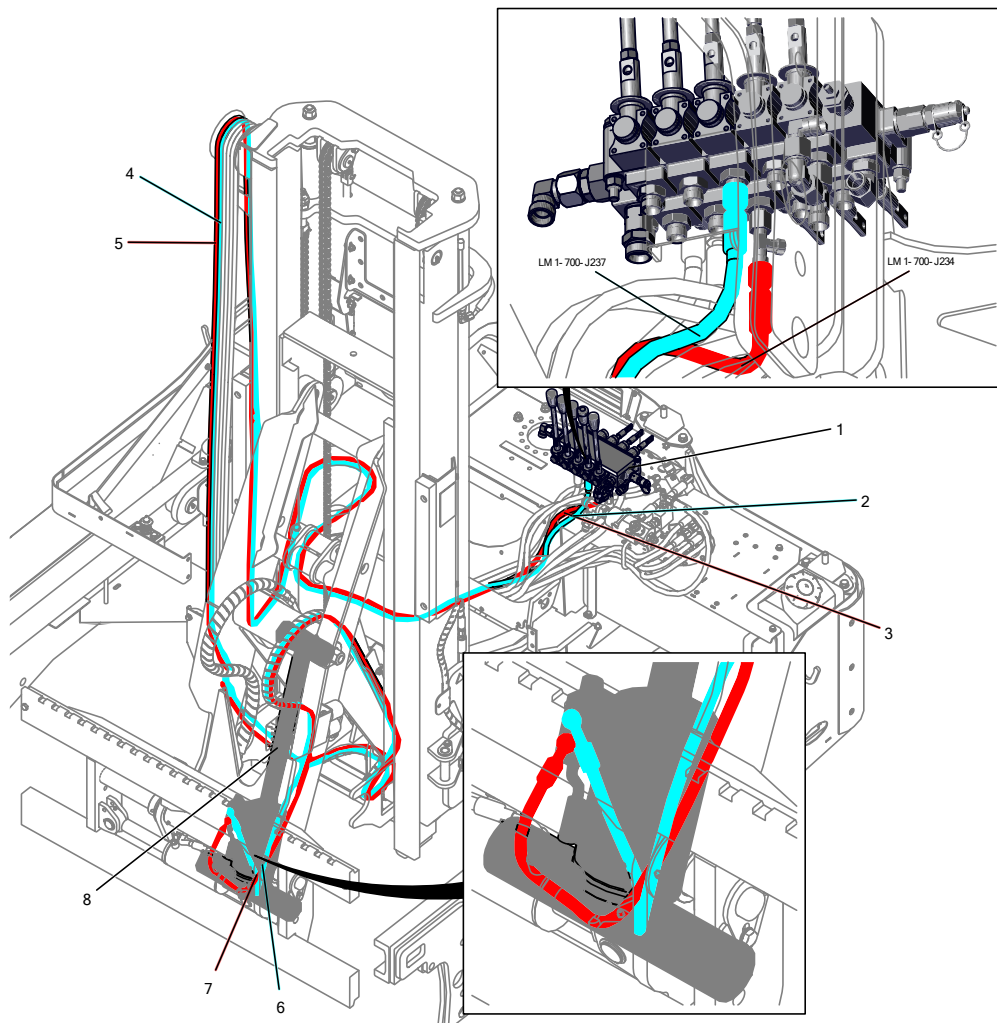


Figure 133: TILT CYLINDER HOSE CONNECTIONS ARRANGEMENT

ITEM	PART NUMBER	QTY	DESCRIPTION	METRIC EQUIVALENT
1	YLEVER1	1	LEVER BANK	-
2	LM1-700-J237	1	LEVER BANK TO MAST HOSE	LM1-700-M237
3	LM1-700-J237	1	LEVER BANK TO MAST HOSE	LM1-700-M237
4	3.1M MAST: LM1-700-176 [98-153] 3.6M MAST: LM1-700-179 [98-153]	1	MAST ROLLER HOSE	-
5	3.1M MAST: LM1-700-176 [96-151] 3.6M MAST: LM1-700-179 [96-151]	1	MAST ROLLER HOSE	-
6	LM1-700-170 [95-152]	1	TILT CYLINDER TOP TO 3RD STAGE MAST HOSE JUNCTION	-
7	LM1-700-170 [97-150]	1	TILT CYLINDER BOTTOM TO 3RD STAGE MAST HOSE JUNCTION	-
8	LM1-210-03	1	TILT CYLINDER	-

Table 64: TILT CYLINDER HOSE CONNECTIONS ARRANGEMENT - BOM

## CHAPTER4.11: ISR CYLINDER WITH HOSE CONNECTIONS

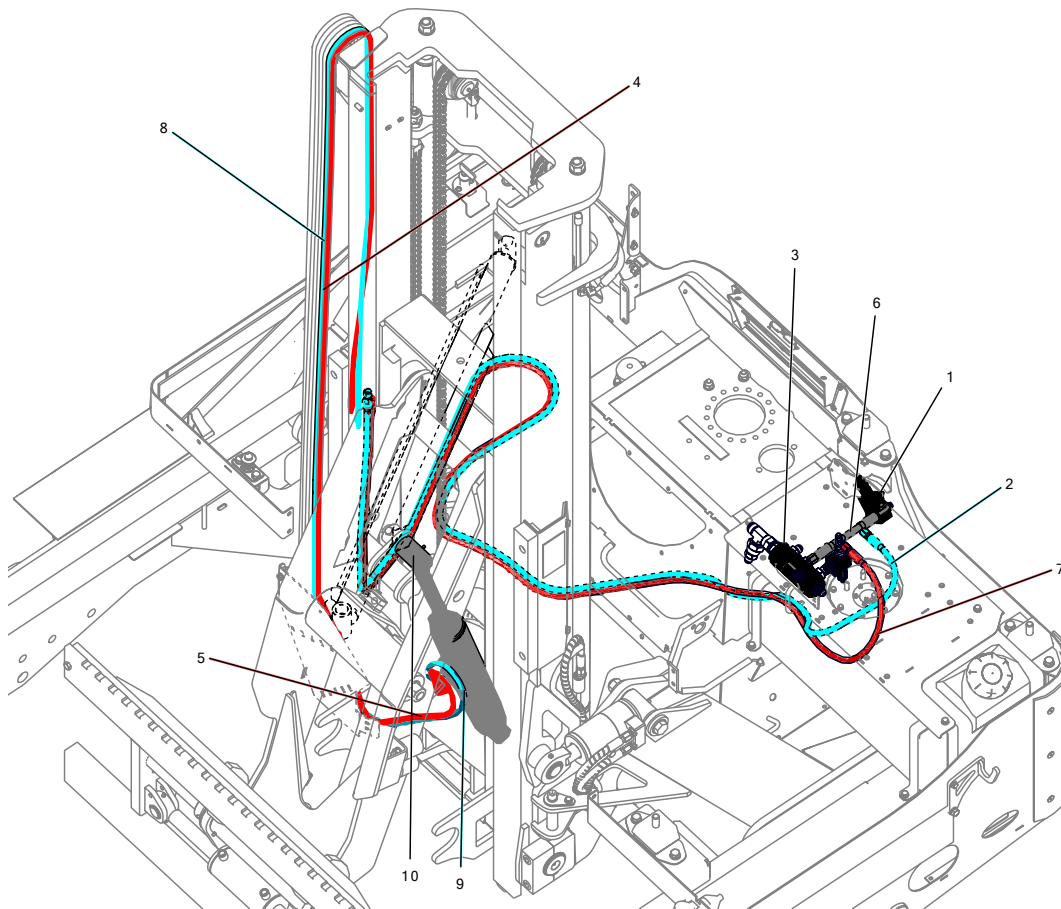


Figure 134: ISR CYLINDER HOSE CONNECTIONS ARRANGEMENT

ITEM	PART NUMBER	QTY	DESCRIPTION	METRIC EQUIVALENT
1	YVALVE15	1	ISR RELIEF VALVE	-
2	LM1-700-J236	1	HOSE – YVALVE15 TO MAST	LM1-700-M236
3	LM1-711-10	1	6 PORT RETURN MANIFOLD	-
4	3.1M MAST: LM1-700-176 [173-106] 3.6M MAST: LM1-700-179 [173-106]	1	MAST ROLLER HOSE	-
5	LM1-700-180 [105-174]	1	ISR CYLINDER BOTTOM TO 3 <sup>RD</sup> STAGE MAST HOSE JUNCTION	-
6	LM1-700-J243	1	YVALVE15 TO LM1-711-10 HOSE	LM1-700-M243
7	LM1-700-J235	1	YVALVE15 TO MAST HOSE	LM1-700-M235
8	3.1M MAST: LM1-700-176 [171-104] 3.6M MAST: LM1-700-179 [171-104]	1	MAST ROLLER HOSE	-
9	LM1-700-180 [103-172]	1	ISR CYLINDER TOP TO 3 <sup>RD</sup> STAGE MAST HOSE JUNCTION	-
10	LM1-210-14	1	ISR REACH CYLINDER	-

Table 65: ISR CYLINDER HOSE CONNECTIONS ARRANGEMENT - BOM

## CHAPTER 4.12: SIDE SHIFT CYLINDER WITH HOSE CONNECTIONS

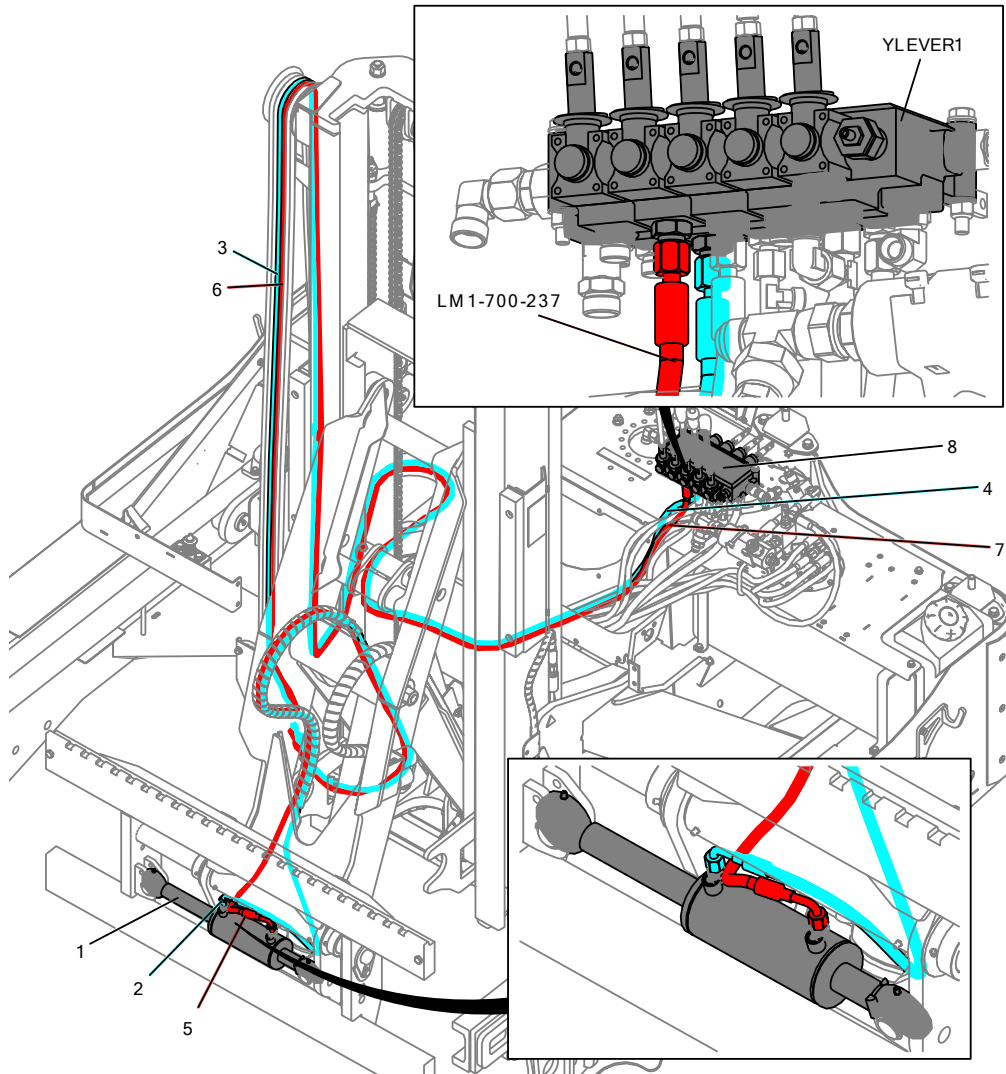


Figure 135: SIDESHIFT CYLINDER HOSE CONNECTIONS ARRANGEMENT

ITEM	PART NUMBER	QTY	DESCRIPTION	METRIC EQUIVALENT
1	LM1-210-09	1	SIDESHIFT CYLINDER	-
2	LM1-700-173 [99-156]	1	SIDE SHIFT CYLINDER TOP TO 3RD STAGE MAST HOSE JUNCTION	-
3	3.1M MAST: LM1-700-176 [100-157] 3.6M MAST: LM1-700-179 [100-157]	1	MAST ROLLER HOSE	-
4	LM1-700-J237	1	LEVER BANK TO MAST HOSE	LM1-700-M237
5	LM1-700-174 [101-154]	1	SIDE SHIFT CYLINDER BOTTOM TO 3RD STAGE MAST HOSE JUNCTION	-
6	3.1M MAST: LM1-700-176 [102-155] 3.6M MAST: LM1-700-179 [102-155]	1	MAST ROLLER HOSE	-
7	LM1-700-J237	1	LEVER BANK TO MAST HOSES	LM1-700-M237
8	YLEVER1	1	LEVER BANK	-

Table 66: SIDESHIFT CYLINDER HOSE CONNECTIONS ARRANGEMENT - BOM

## CHAPTER4.13: 3.1M CAM MAST

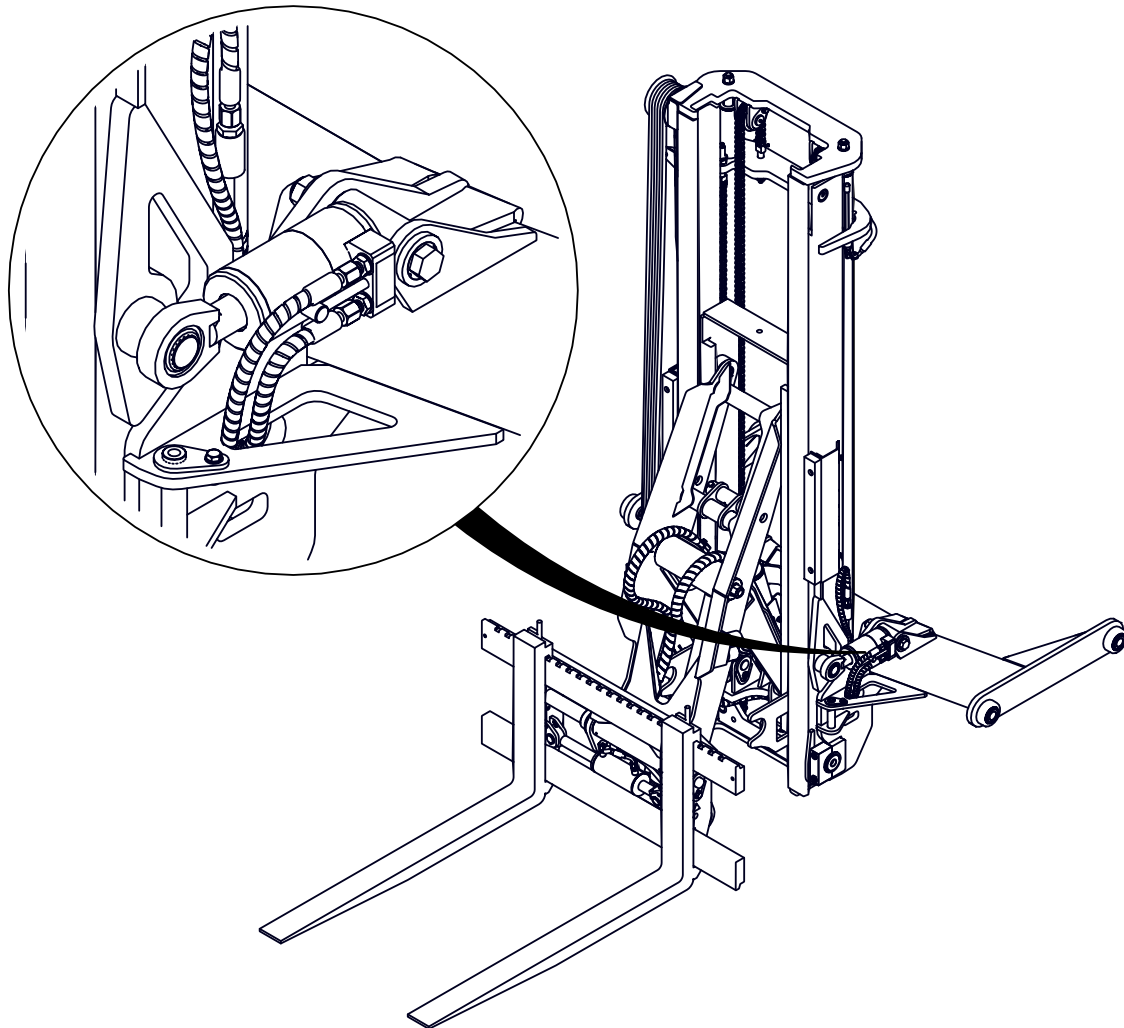
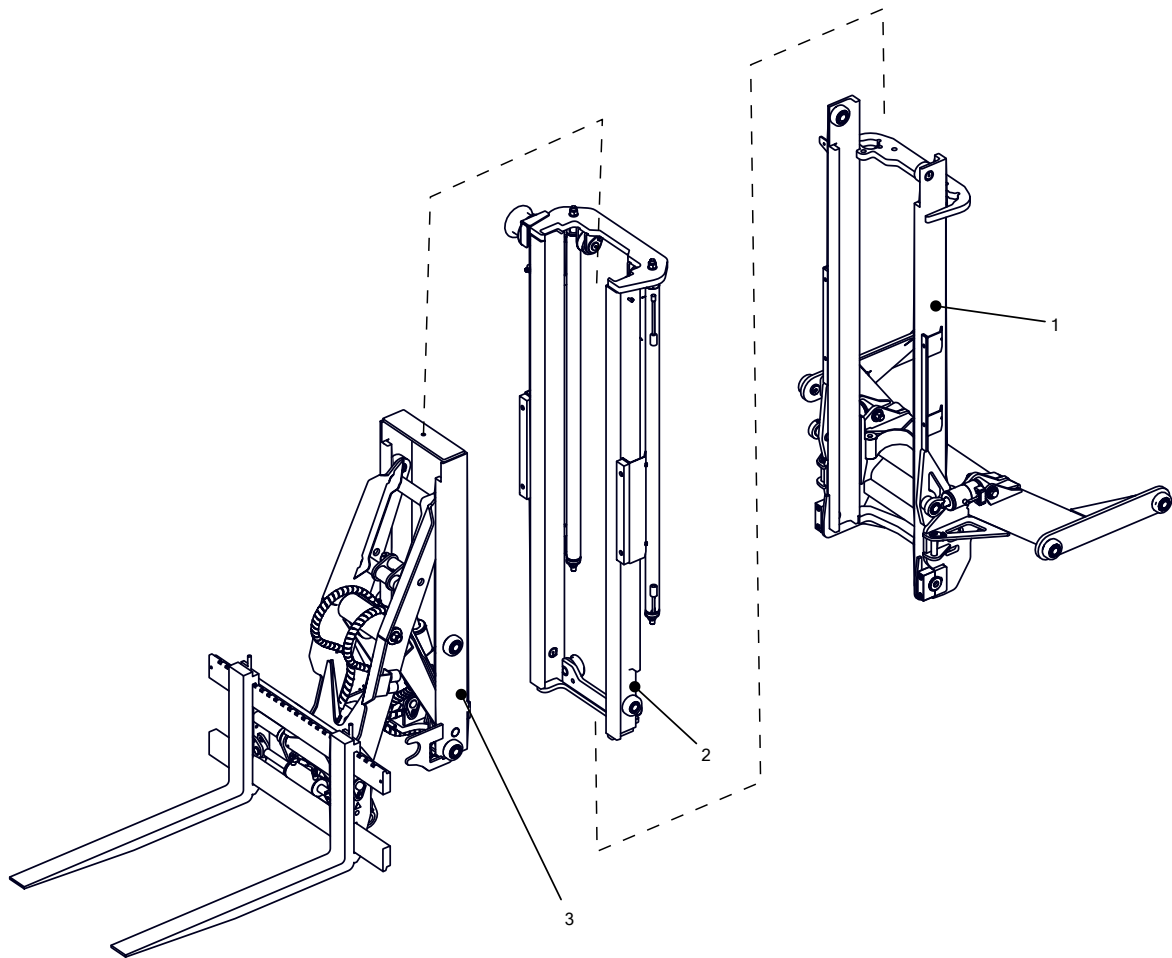


Figure 136: 3.1M CAM MAST



ITEM	Description	Qty
1	1ST STAGE 3.1M CAM	1
2	2ND STAGE 3.1M (CHAPTER 4.1)	1
3	3RD STAGE COMMON (CHAPTER 4.8)	1

Figure 137: 3.1M CAM MAST MAIN COMPONENTS



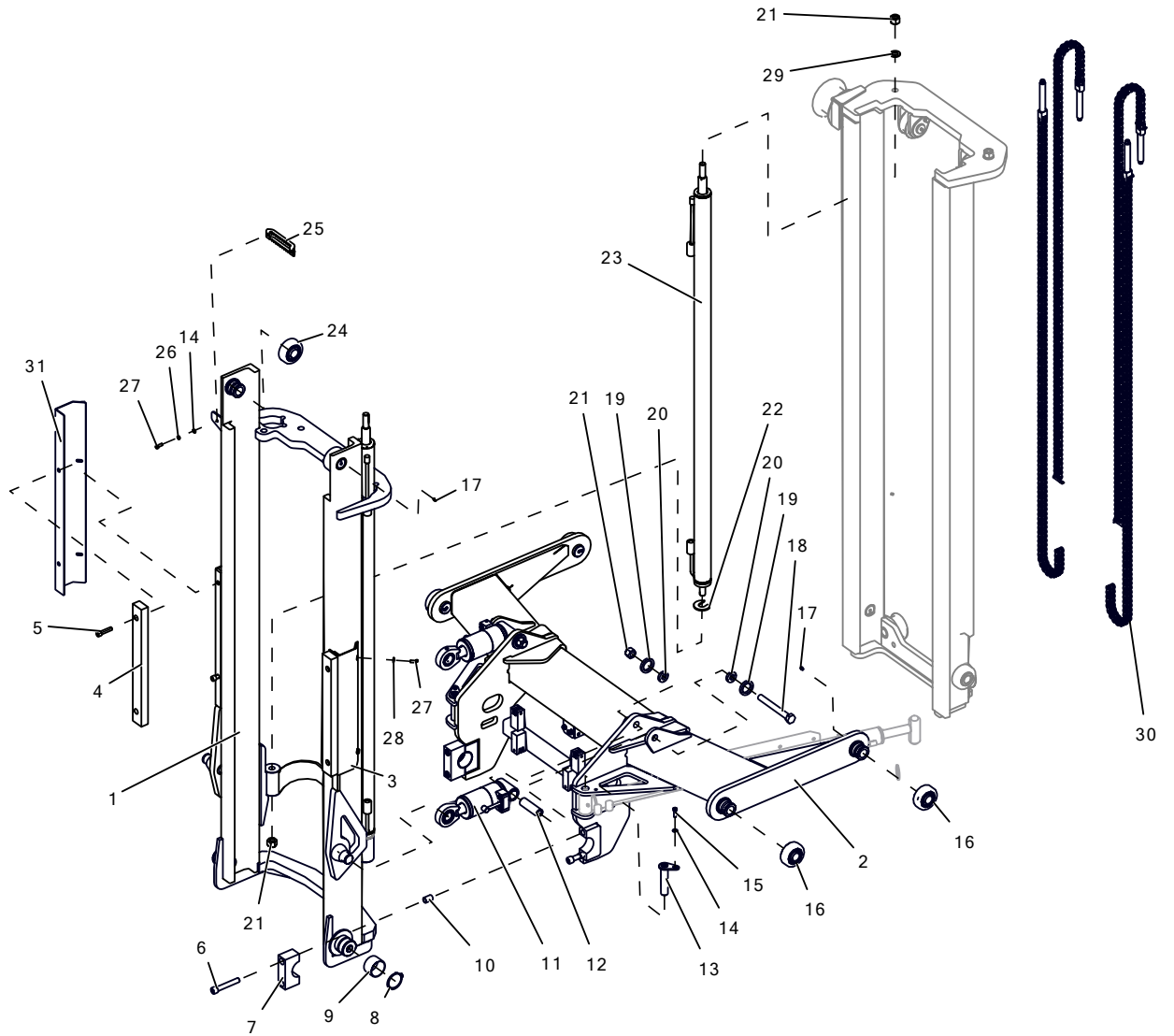


Figure 138: LM1-202-95 1<sup>ST</sup> STAGE CAM 3.1M

ITEM	PART NUMBER	QTY	DESCRIPTION	NOTES
1	LM1-202-70	1	STAGE 2-MAST CAM 3.1M W-A	
2	LM1-203-70	1	STAGE 2-CARRAGE CAM 3.1 W-A	
3	LM1-219-00	1	MAST PIPE CASING LHS	
4	LM1-200-02	2	TRAILER PAD	
5	XSC12050Z	4	M12x50 SKT CAP SCREW 8.8	
6	XS16100Z	4	M16X100 SKT CAP HEAD SCREW 12.9	
7	LM1-203-74	2	SPLIT BEARING - UPPER	
8	YCIRCLIP12	2	60.0 SHAFT EXTERNAL CIRCLIP DIN471	
9	YBUSH21	2	CAM MAST DX BUSH	
10	YDOWEL1	4	HOLLOW DOWEL	
11	LM1-210-13	2	TILT MAST CYLINDER	
12	LM1-203-96	2	BUSH - TILT CYLINDER BASE	
13	LM1-217-70	2	CARRIAGE PIN W-A	
14	XW08AZ	4	M8 FORM A WASHER	
15	XB08030Z	2	M8 X 30 HEX HEAD SCREW 8.8	
16	YBEARIN19	4	PARALLEL MAST BEARING SET	
17	YGN0600	5	YGN0600 GREASE NIPPLE	
18	XB20170Z-10.9	2	M20 X 170 HEX HEAD BOLT 10.9	
19	LM1-203-103	4	RING - CYLINDER MOUNT	
20	LM1-203-104	4	ECCENTRIC CYLINDER MOUNT	
21	XN20N	6	M20 NYLOC NUT	
22	LM1-200-07	2	SPACER	
23	LM1-210-52	2	UNIVERSAL LIFT CYLINDER 3.1m	
24	YBEARING20	2	TAPERED MAST BEARING SET	
25	LM1-224-00	1	HYDRAULIC HOSE CLAMP	
26	XW08SZ	2	M8 SPRING WASHER	
27	XS08020Z	6	M8 X 20 HEX HEAD SCREW 8.8	
28	XW08CZ	4	M8 FORM C WASHER	
29	XW20AZ	2	M20 FORM A WASHER	
30	YCHAINKIT1	1	3.1 MAST CHAIN KIT	
31	LM1-218-00	1	MAST PIPE CASING RHS	

Table 67: LM1-202-95 1ST STAGE CAM BOM

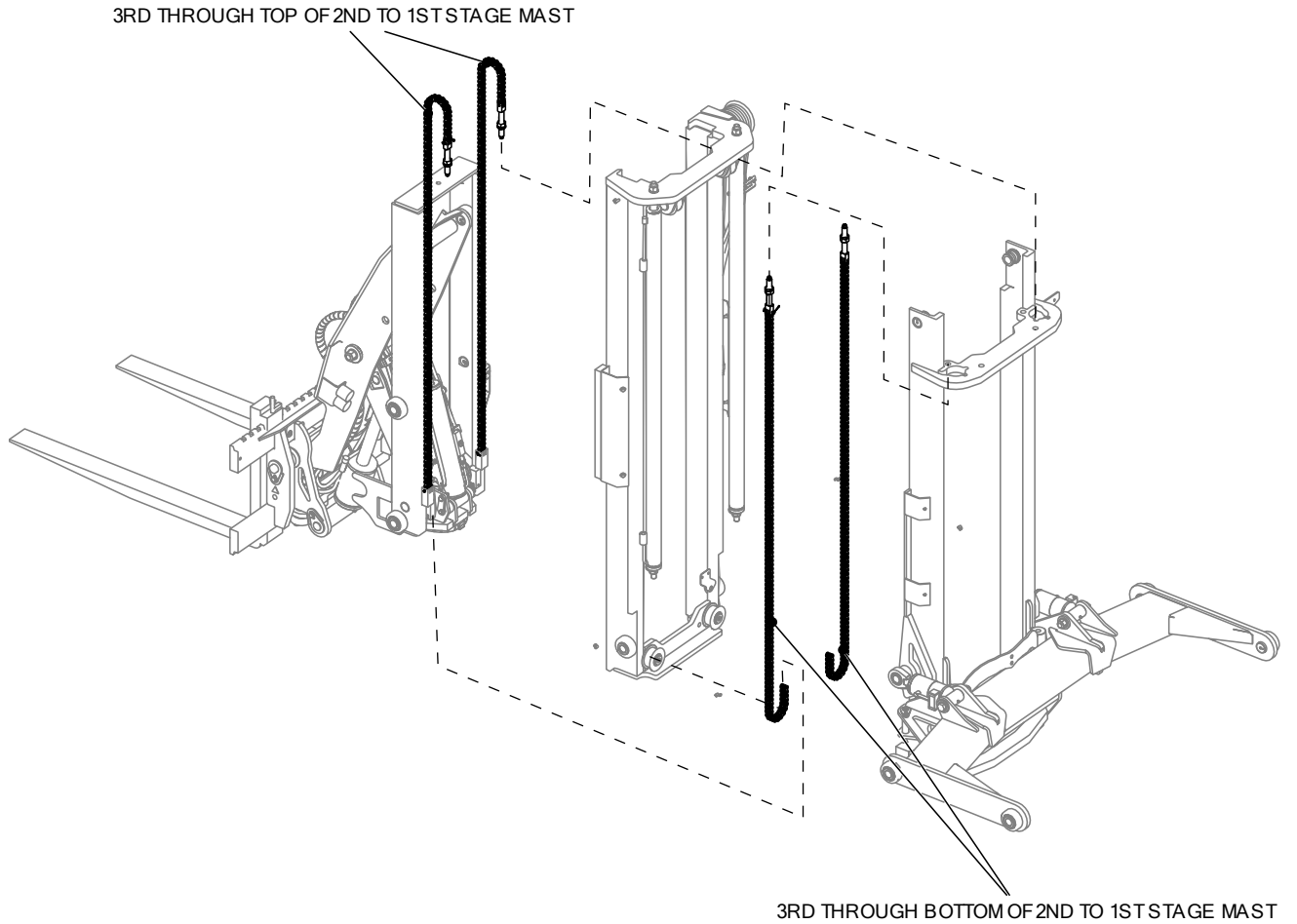


Table 68: CHAINKITS ON CAM MAST

## CHAPTER4.14: 3.1M CAM MAST STAGES 1 AND 2 HYDRAULICS

Valid for truck 855-713 to date

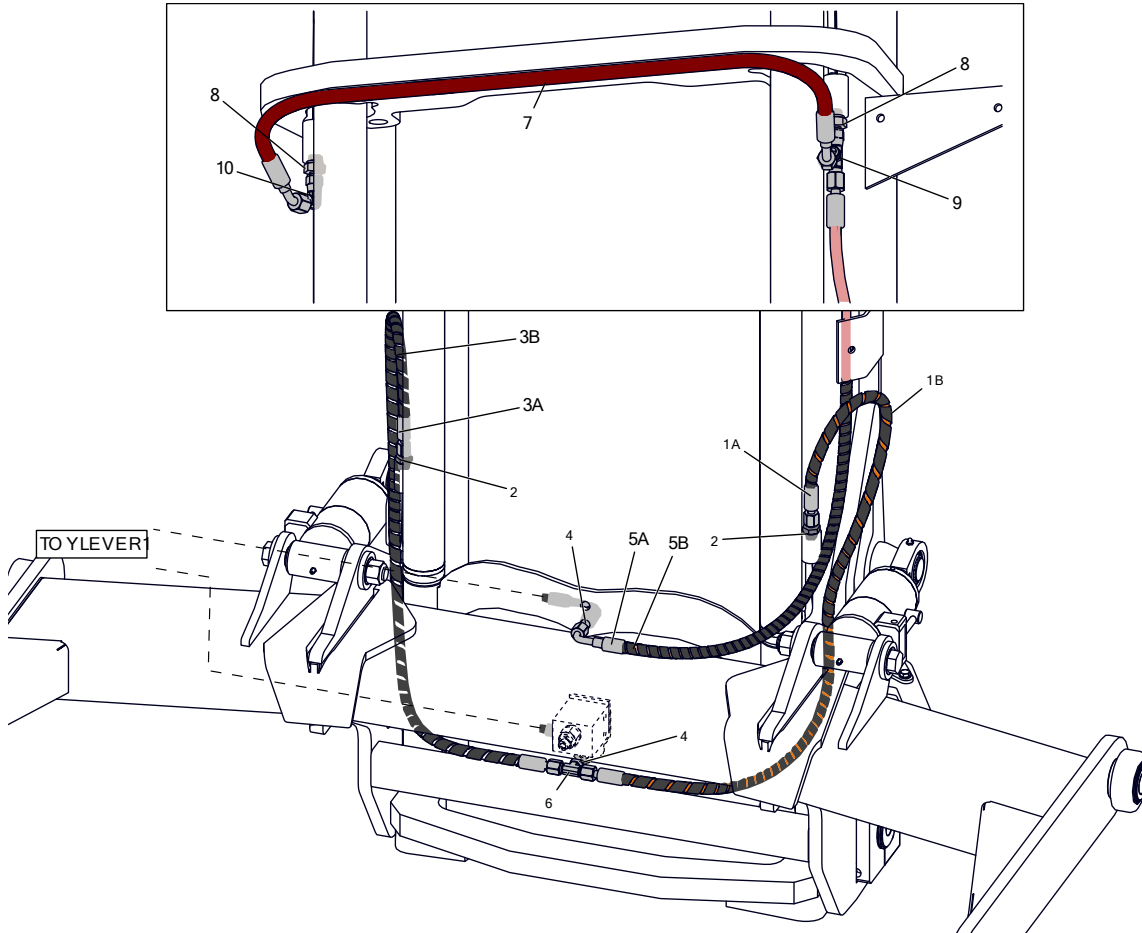


Figure 139: 3.1M CAM MAST LIFT CYLINDER HOSE DETAIL

ITEM	PART NUMBER	Qty	DESCRIPTION	NOTES
1A	LM1-700-344 [177-182] CAM SETUP	1	HOSE	
1B	LM1-700-344 [177-182] SPIRAL WRAP CAM SETUP	1	SPIRAL WRAP	
2	YHAR-2MM-3-8-9-16J	2	3/8" BSP M TO 9/16" J M W/ SEAL & 2MM RESTRICTOR	
3A	LM1-700-344 [179-184] CAM SETUP	1	HOSE	
3B	LM1-700-344 [179-184] HOSE CAM SIRAL WRAP	1	SPIRAL WRAP	
4	YHB9.16J	2	9/16" JIC BULKHEAD C/W LOCKNUT	
5A	LM1-700-359 [178-180]	1	HOSE	
5B	LM1-700-359 [178-180] HOSE SPIRAL WRAP	1	SPIRAL WRAP	
6	YHT9-16JMMF	1	9/16J-18 TEE MFM MALE ON BRANCH	
7	LM1-700-345 [181-183]	1	HOSE	
8	YHA3.8-9.16J	2	3/8" BSP M W/ SEAL TO 9/16J-18 M	
9	YHT9-16JMFM	1	9/16J-18 TEE MFM MALE ON BRANCH	
10	YHA9.16JMFE	1	9/16J-18 MF SWIVLE ELBOW	

Table 69: 3.1M CAM MAST LIFT CYLINDER HOSE DETAIL BOM

Valid for truck 855-713 to date

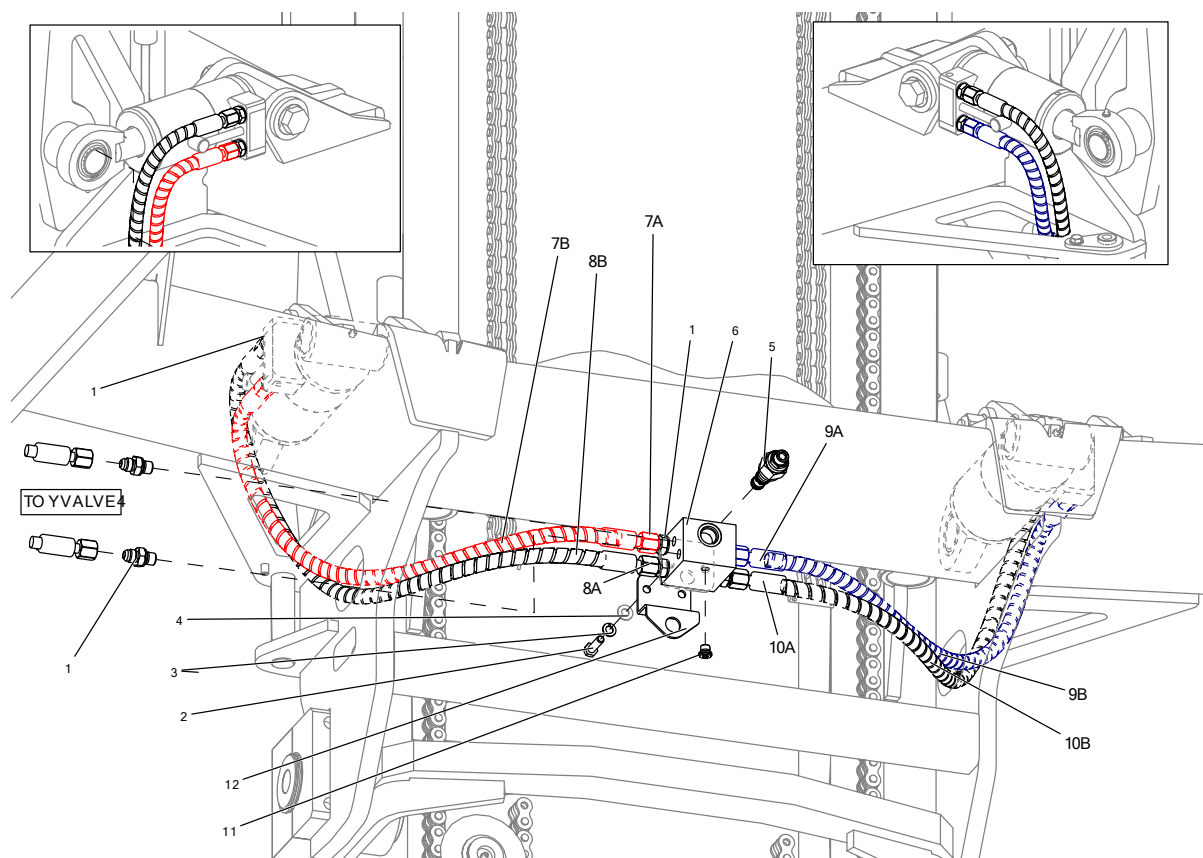


Figure 140: CAM CYLINDER HOSE CONFIGURATION (3.1M AND 3.6M MASTS)

ITEM	PART NUMBER	QTY	DESCRIPTION
1	YHA1.4-9.16J	10	1/4" BSP M W/ INTEGRAL SEAL TO 9/16J-18 M
2	XB08030Z	2	M8 X 30 HEX HEAD SCREW 8.8
3	XW08SZ	2	M8 SPRING WASHER
4	XW08AZ	2	M8 FORM A WASHER
5	YVALVE13	1	COUNTERBALANCE VALVE
6	LM1-203-98	1	SINGLE COUNTERBALANCE VALVE BLOCK
7A	LM1-700-197 [195-196]	1	HOSE
7B	LM1-700-197 [195-196] SPIRAL WRAP1	1	SPIRAL WRAP
8A	LM1-700-198 [193-194]	1	HOSE
8B	LM1-700-198 [193-194] SPIRAL WRAP	1	SPIRAL WRAP
9A	LM1-700-198 [199-200]	1	HOSE
9B	LM1-700-198 [199-200] SPIRAL WRAP	1	SPIRAL WRAP
10A	LM1-700-197 [197-198]	1	HOSE
10B	LM1-700-197 [197-198] SPIRAL WRAP	1	SPIRAL WRAP
11	1-8 BSP Blanking plug	1	1/8 BSP BLANKING PLUG
12	LM1-203-102	1	BRACKET - BULKHEAD FITTING

## **CHAPTER4.15: 3.6M CAM MAST**

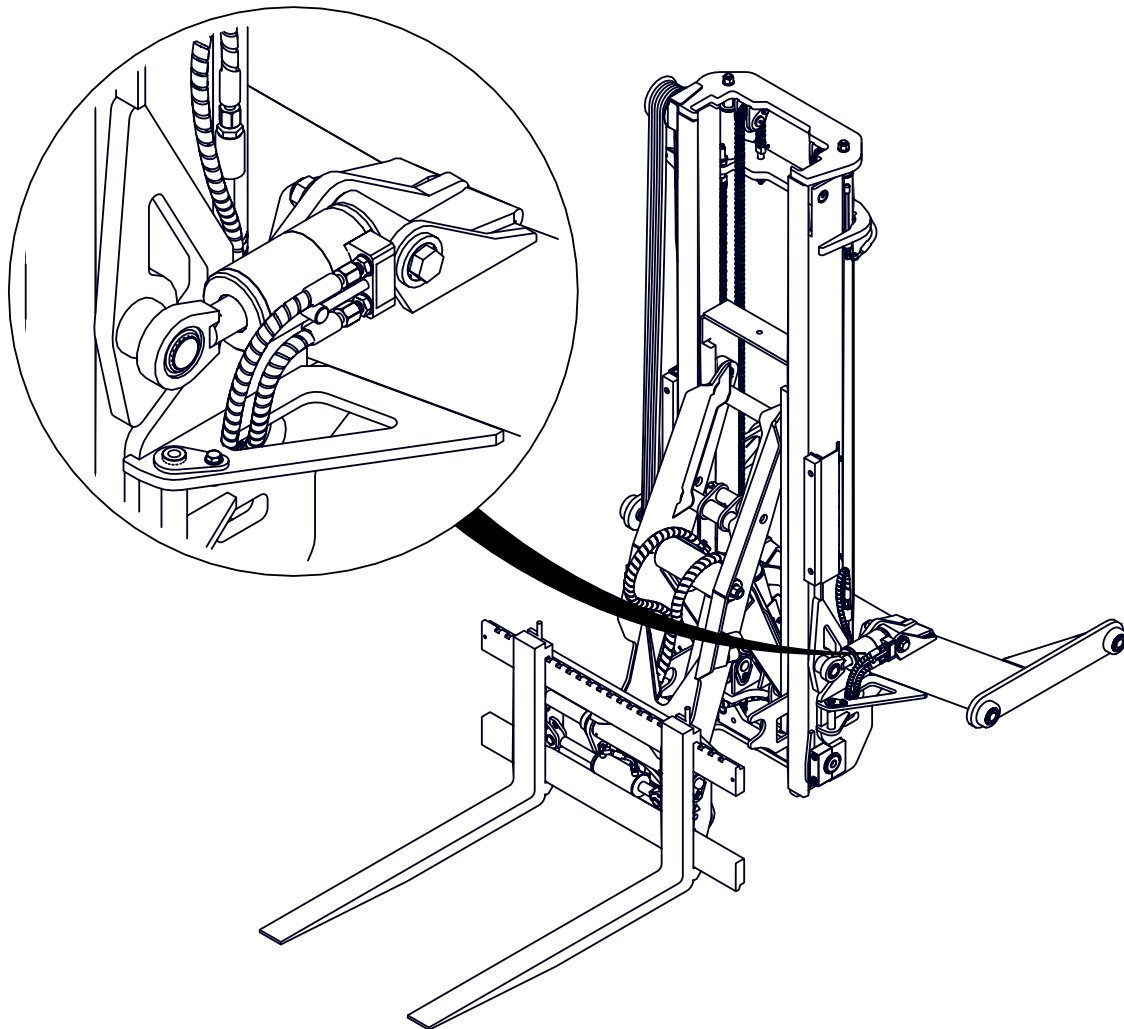


Figure 141: 3.6M CAM MAST



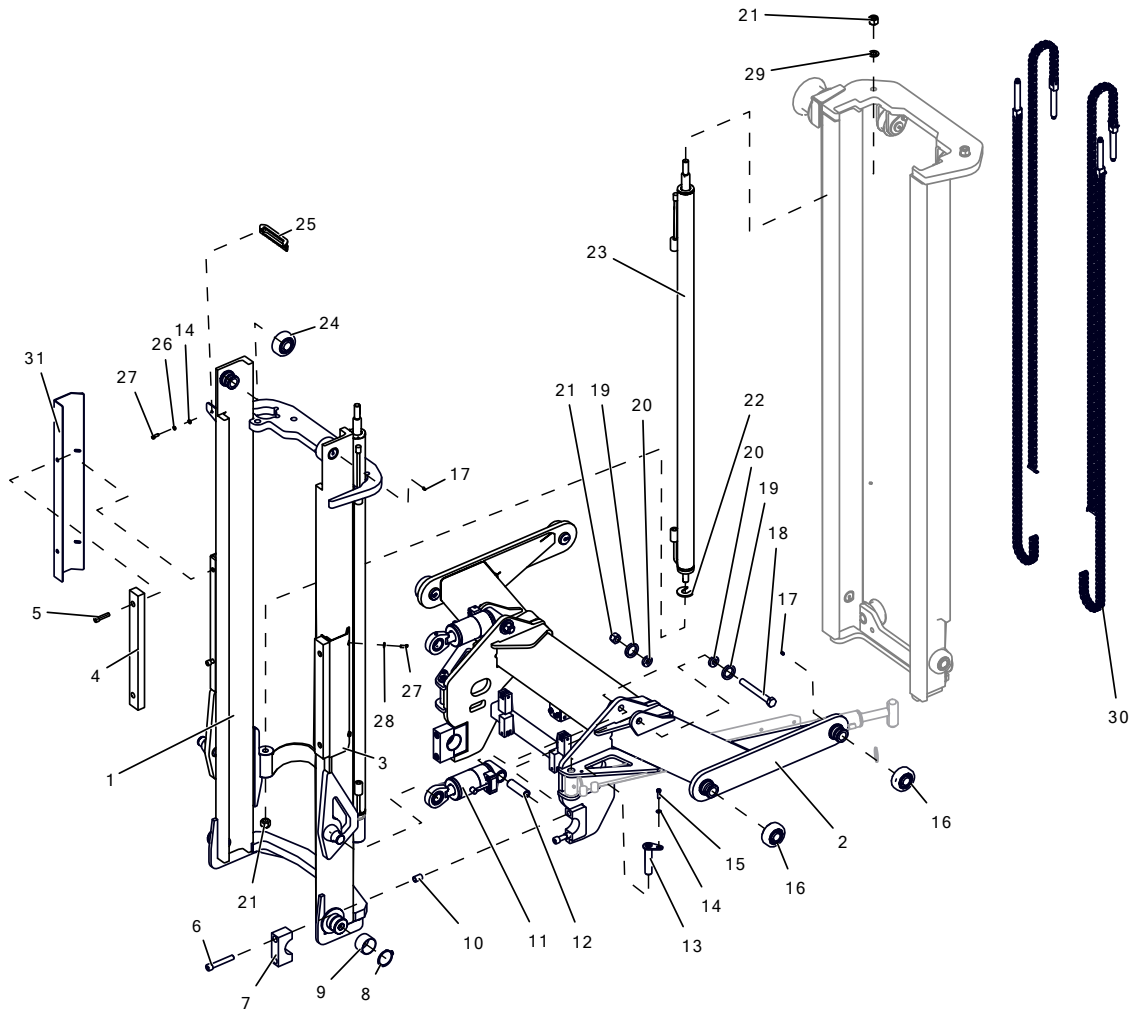


Figure 142: LM1-232-95 1ST STAGE CAM 3.6M

ITEM	PART NUMBER	QTY	DESCRIPTION	NOTES
1	LM1-232-70	1	STAGE 1-MAST CAM 3.6M W-A	
2	LM1-203-70	1	STAGE 1-CARRAGE CAM 3.1M/3.6M W-A	
3	LM1-219-00	1	MAST PIPE CASING LHS	
4	LM1-200-02	2	TRAILER PAD	
5	XSC12050Z	4	M12x50 SKT CAP SCREW 8.8	
6	XS16100Z	4	M16X100 SKT CAP HEAD SCREW 12.9	
7	LM1-203-74	2	SPLIT BEARING - UPPER	
8	YCIRCLIP12	2	60.0 SHAFT EXTERNAL CIRCLIP DIN471	
9	YBUSH21	2	CAM MAST DX BUSH	
10	YDOWEL1	4	HOLLOW DOWEL	
11	LM1-210-13	2	TILT MAST CYLINDER	
12	LM1-203-96	2	BUSH - TILT CYLINDER BASE	
13	LM1-217-70	2	CARRIAGE PIN W-A	
14	XW08AZ	4	M8 FORM A WASHER	
15	XB08030Z	2	M8 X 30 HEX HEAD SCREW 8.8	
16	YBEARIN19	4	PARALLEL MAST BEARING SET	
17	YGN0600	5	YGN0600 GREASE NIPPLE	
18	XB20170Z-10.9	2	M20 X 170 HEX HEAD BOLT 10.9	
19	LM1-203-103	4	RING - CYLINDER MOUNT	
20	LM1-203-104	4	ECCENTRIC CYLINDER MOUNT	
21	XN20N	6	M20 NYLOC NUT	
22	LM1-200-07	2	SPACER	
23	LM1-210-53	2	UNIVERSAL LIFT CYLINDER 3.6m	
24	YBEARING20	2	TAPERED MAST BEARING SET	
25	LM1-224-00	1	HYDRAULIC HOSE CLAMP	
26	XW08SZ	2	M8 SPRING WASHER	
27	XS08020Z	6	M8 X 20 HEX HEAD SCREW 8.8	
28	XW08CZ	4	M8 FORM C WASHER	
29	XW20AZ	2	M20 FORM A WASHER	
30	YCHAINKIT2	1	3.6M MAST CHAIN KIT	
31	LM1-218-00	1	MAST PIPE CASING RHS	

Table 71: LM1-232-95 1ST STAGE CAM BOM

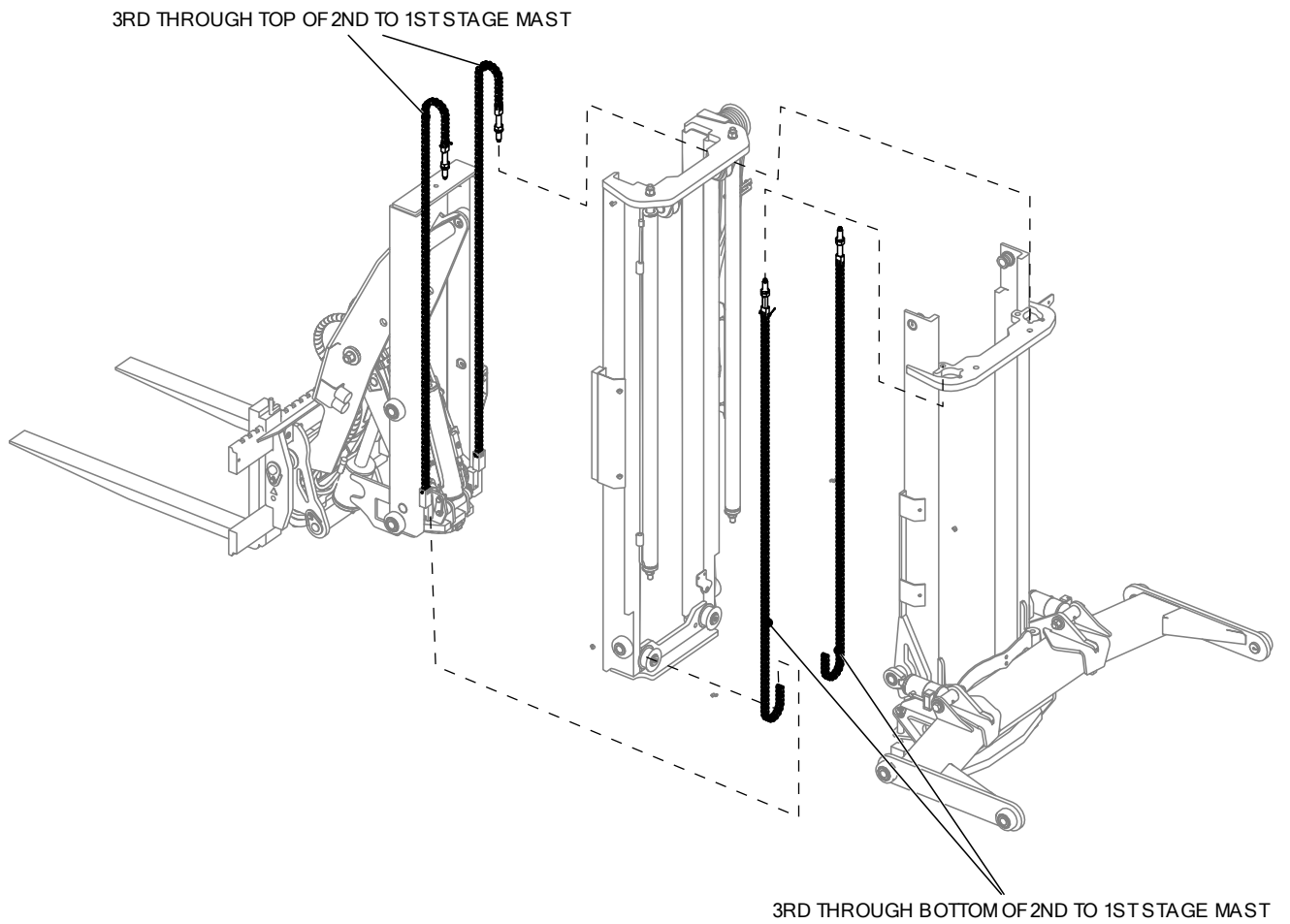


Table 72: CHAINKITS ON CAM MAST

## CHAPTER4.16: 3.6M CAM MAST STAGES 1 AND 2 HYDRAULICS

Valid for truck 855-713 to date

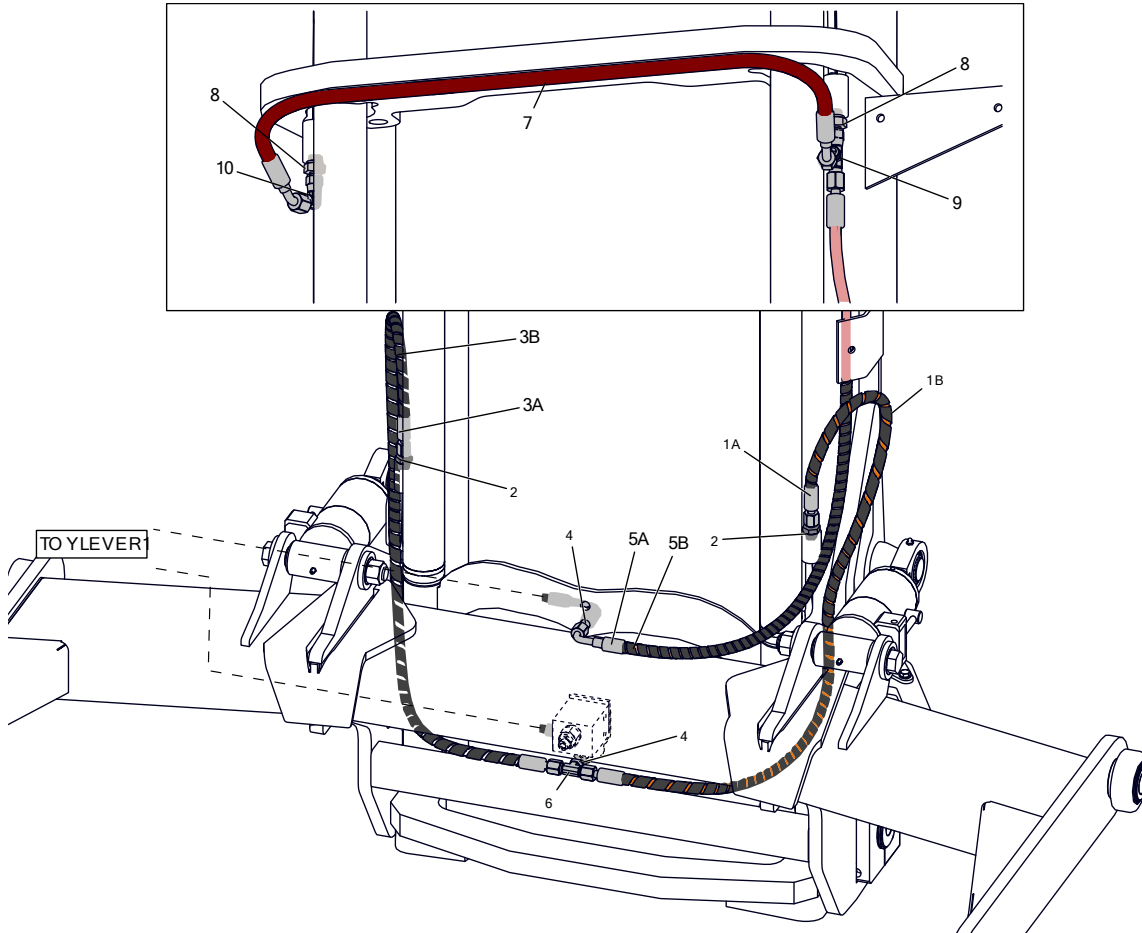


Figure 143: 3.6M CAM MAST LIFT CYLINDER HOSE DETAIL

ITEM	PART NUMBER	Qty	DESCRIPTION
1A	LM1-700-344 [177-182] CAM SETUP	1	HOSE
1B	LM1-700-344 [177-182] SPIRAL WRAP CAM SETUP	1	SPIRAL WRAP
2	YHAR-2MM-3-8-9-16J	2	3/8" BSP M TO 9/16" J M W/ SEAL & 2MM RESTRICTOR
3A	LM1-700-344 [179-184] CAM SETUP	1	HOSE
3B	LM1-700-344 [179-184] HOSE CAM SIRAL WRAP	1	SPIRAL WRAP
4	YHB9.16J	2	9/16" JIC BULKHEAD C/W LOCKNUT
5A	LM1-700-360 [178-180]	1	HOSE
5B	LM1-700-360 [178-180] HOSE SPIRAL WRAP	1	SPIRAL WRAP
6	YHT9-16JMMF	1	9/16J-18 TEE MFM MALE ON BRANCH
7	LM1-700-345 [181-183]	1	HOSE
8	YHA3.8-9.16J	2	3/8" BSP M W/ SEAL TO 9/16J-18 M
9	YHT9-16JMFM	1	9/16J-18 TEE MFM MALE ON BRANCH
10	YHA9.16JMFE	1	9/16J-18 MF SWIVLE ELBOW

Table 73: 3.6M CAM MAST LIFT CYLINDER HOSE DETAIL BOM

Valid for truck 855-713 to date

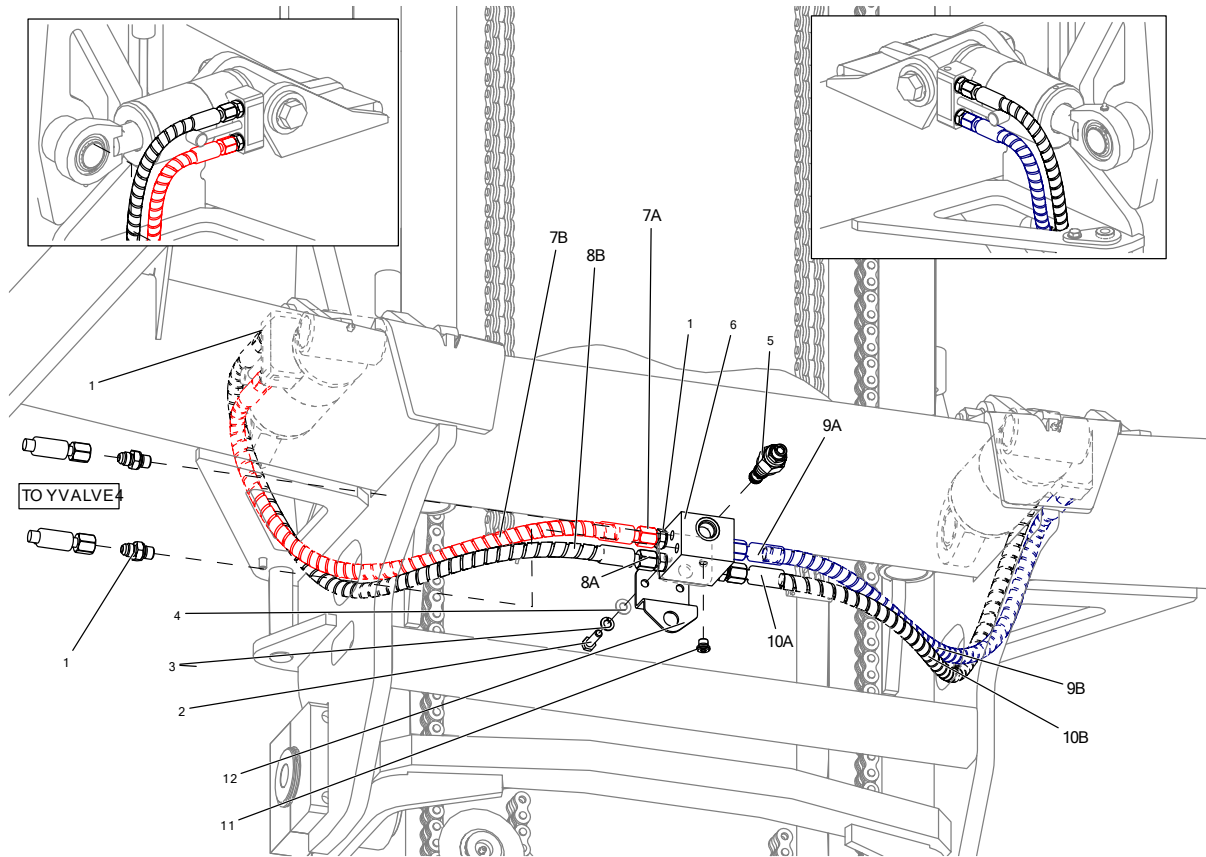


Figure 144: CAM CYLINDER HOSE CONFIGURATION (3.1M AND 3.6M MASTS)

ITEM	PART NUMBER	QTY	DESCRIPTION
1	YHA1.4-9.16J	10	1/4" BSP M W/ INTEGRAL SEAL TO 9/16J-18 M
2	XB08030Z	2	M8 X 30 HEX HEAD SCREW 8.8
3	XW08SZ	2	M8 SPRING WASHER
4	XW08AZ	2	M8 FORM A WASHER
5	YVALVE13	1	COUNTERBALANCE VALVE
6	LM1-203-98	1	SINGLE COUNTERBALANCE VALVE BLOCK
7A	LM1-700-197 [195-196]	1	HOSE
7B	LM1-700-197 [195-196] SPIRAL WRAP1	1	SPIRAL WRAP
8A	LM1-700-198 [193-194]	1	HOSE
8B	LM1-700-198 [193-194] SPIRAL WRAP	1	SPIRAL WRAP
9A	LM1-700-198 [199-200]	1	HOSE
9B	LM1-700-198 [199-200] SPIRAL WRAP	1	SPIRAL WRAP
10A	LM1-700-197 [197-198]	1	HOSE
10B	LM1-700-197 [197-198] SPIRAL WRAP	1	SPIRAL WRAP
11	1-8 BSP Blanking plug	1	1/8 BSP BLANKING PLUG

Table 74: CAM CYLINDER HOSE CONFIGURATION (3.1M AND 3.6M MASTS) BOM

LOADMAC, Ashburton Ind Est., Ross-on-Wye, Herefordshire, HR9 7BW  
 ☎ +44 (0)1989 563656 ✉ info@loadmac.co.uk 🌐 www.loadmac.com

## CHAPTER5: CAB

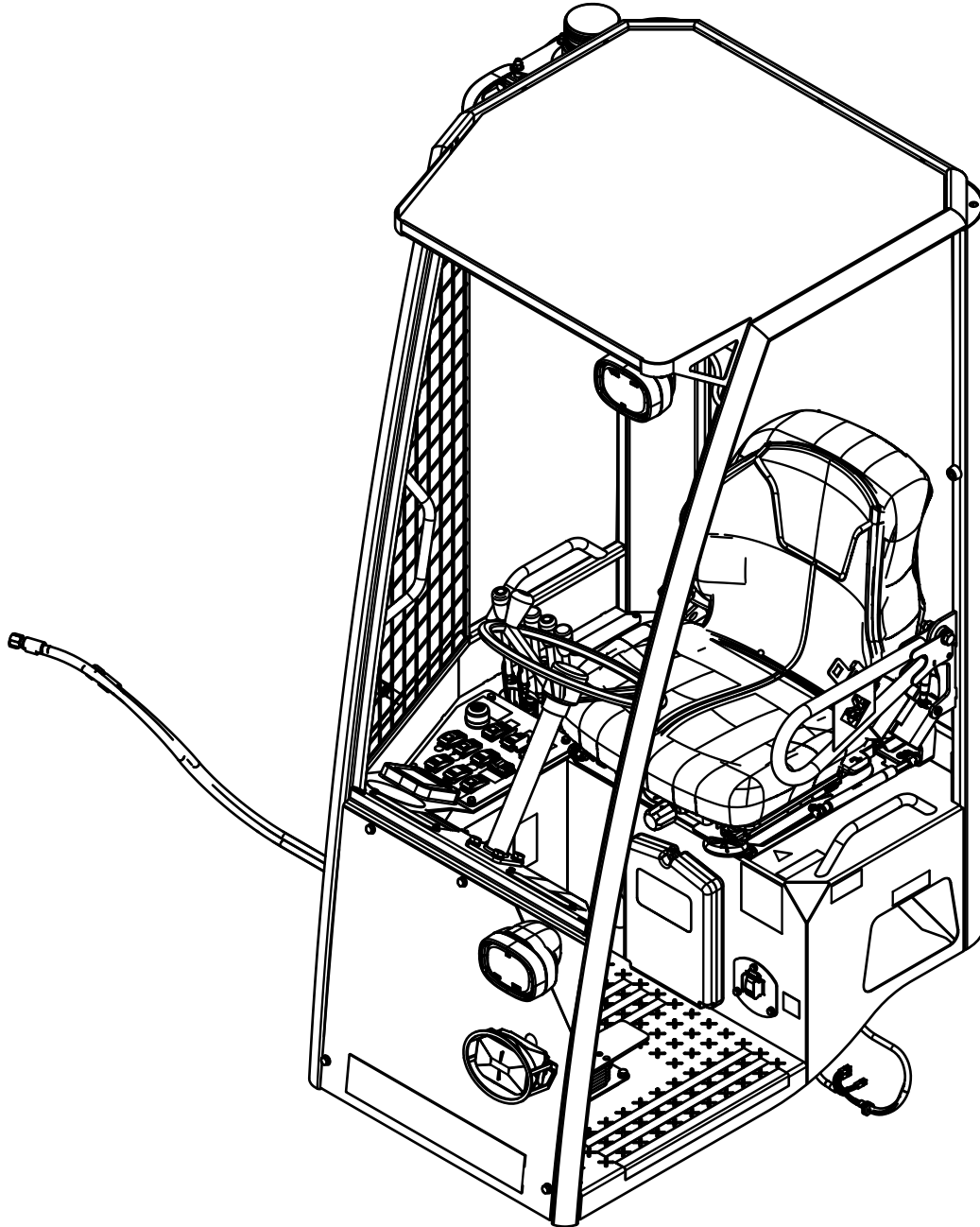


Figure 145: LM1-50-00 FULL CAB



LOADMAC Doc No: LM1-970-05

Valid for truck 855-713 to date



**INTENTIONALLY LEFT BLANK**

## CHAPTER5.1: SEAT

### COMFORT SEAT

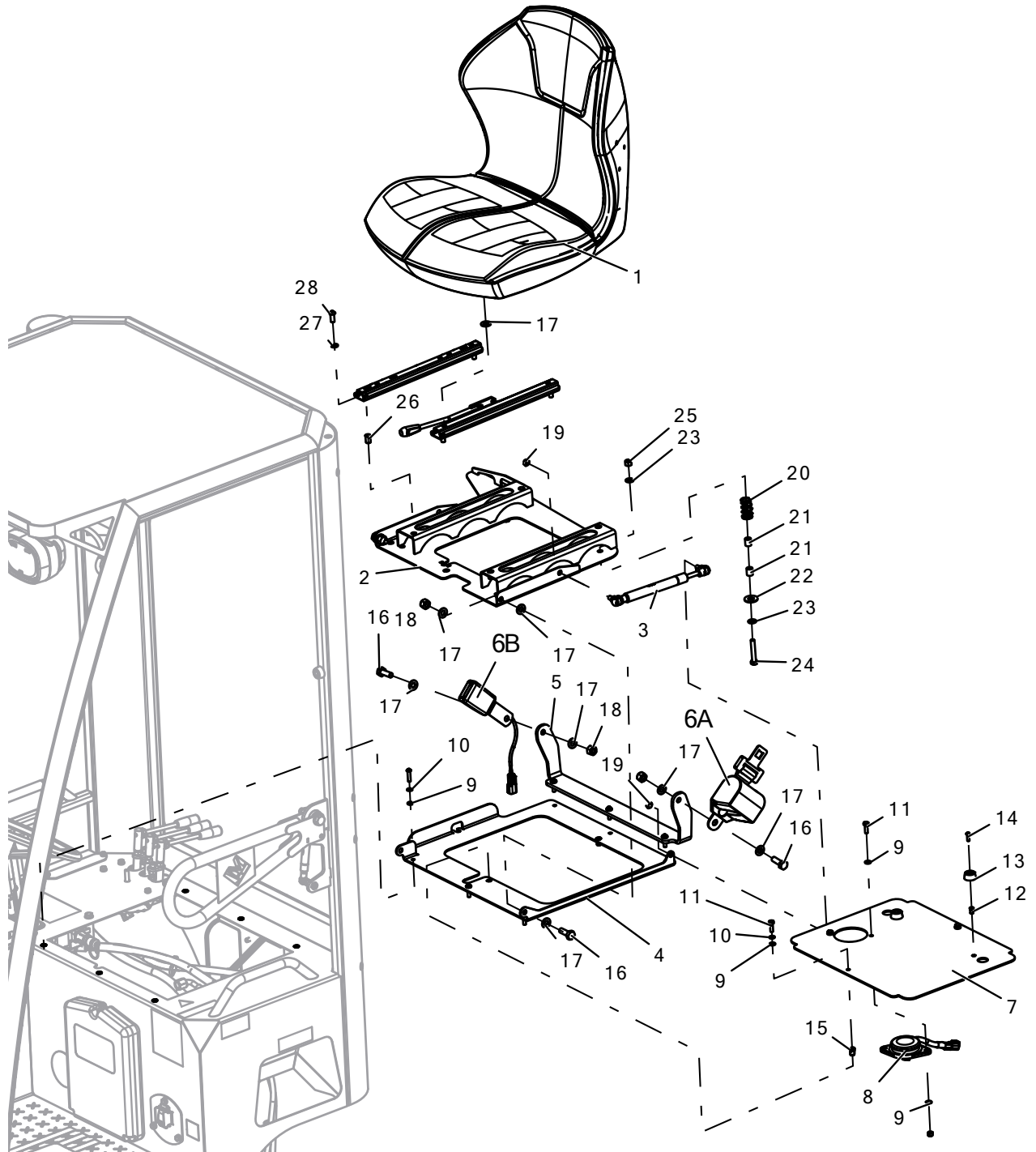


Figure 146: LM1-500-130 COMFORT SEAT ASSEMBLY

ITEM	PART NUMBER	QTY	DESCRIPTION	NOTES
1	YSEAT5	1	COMFORT SEAT	
2	LM1-510-00	1	COMFORT SEAT BASE	
3	YGASTRUT35	1	500N GAS STRUT	
4	LM1-506-01	1	UNDER SEAT PLATE	
5	LM1-510-11	1	SEAT BELT BRACKET	
6A	YSEATBELT3-REEL	1	PART OF YSEATBELT3 SUPPLIED COMPLETE	
6B	YEATBELT3-BUCKLE	1	PART OF YSEATBELT3 SUPPLIED COMPLETE	
7	LM1-506-06	1	UNDER SEAT HATCH PLATE	
8	YSWITCH56	1	SEAT SWITCH ASSEMBLY	
9	XW06AZ	12	M6 FORM A WASHER	
10	XW06SZ	8	M6 SPRING WASHER	
11	XS06020Z	4	M6 X 20 HEX HEAD SCREW 8.8	
12	XNS05H	2	M5 HEX NUTSERT	
13	YBUFFER1	2	BUFFER 25X12.5MM	
14	XBUT05016SKTZB	2	M5 X 16 BUTTON HEAD SCREW 8.8	
15	XNS06H	2	M6 HEX NUTSERT	
16	XS10030Z	4	M10 X 30 HEX HEAD SCREW 8.8	
17	XW10AZ	14	M10 X 30 FORM A WASHER	
18	XN10N	4	M10 NYLOC NUT	
19	XN08HZB	2	M8 HALF NUT	
20	YSPRING22	2	COMPRESSION SPRING	
21	LL10026	4	SPACER	
22	XW12CZ	2	M12 FORM C WASHER	
23	XW08AZ	4	M8 FORM A WASHER	
24	XS08050Z	2	M8 X 50 HEX HEAD SCREW 8.8	
25	XN08N	2	M8 NYLOC NUT	
26	XNS08	4	M8 NUTSERT	
27	XW08CZ	4	M8 SPRING WASHER	
28	XBUT08020SKTZB	4	M8 X 20 BUTTON HEAD SCREW 8.8	

Table 75: LM1-500-130 COMFORT SEAT ASSEMBLY – BOM

### SUSPENSION SEAT

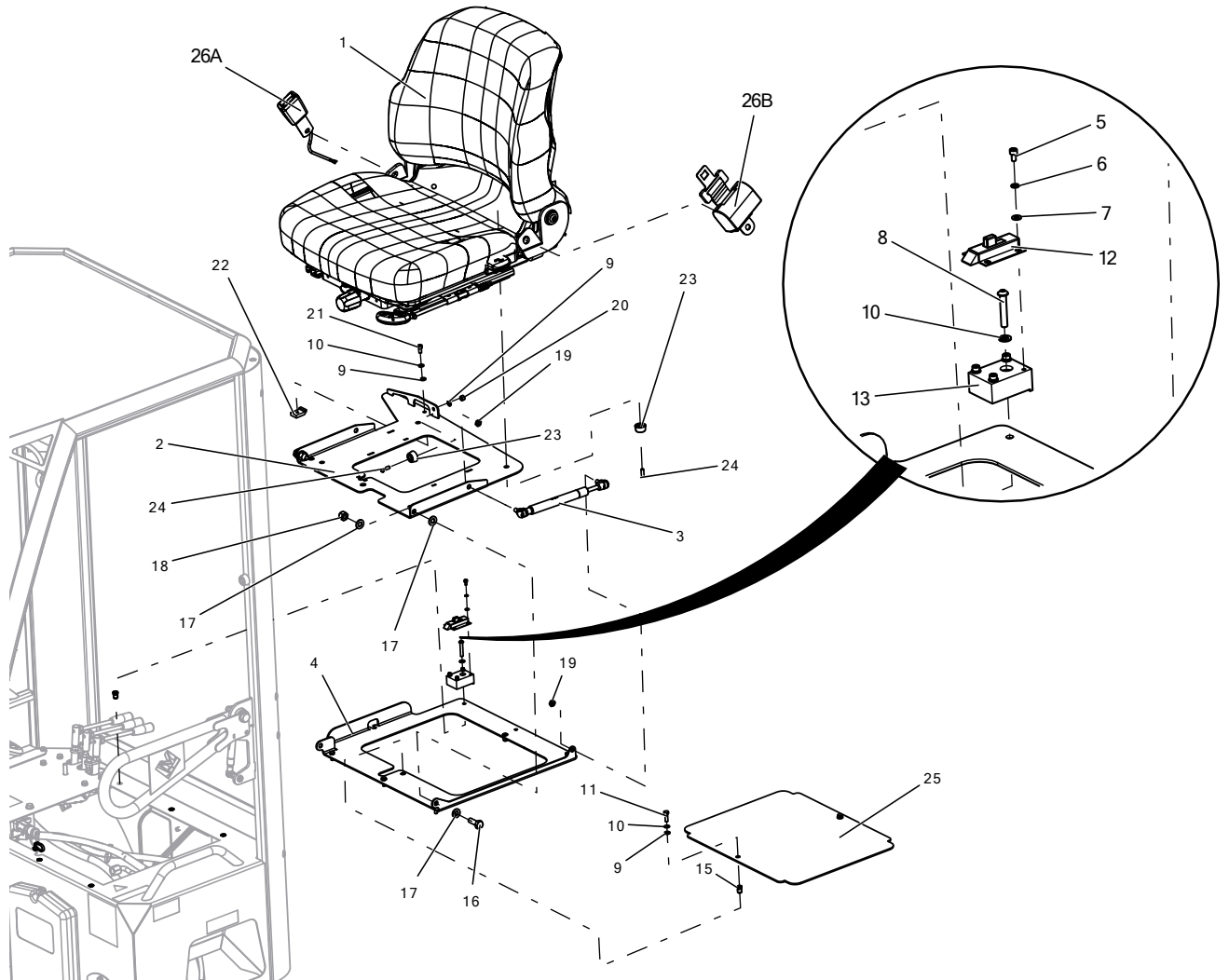


Figure 147: LM1-500-100 SUSPENSION SEAT

ITEM	PART NUMBER	QTY	DESCRIPTION	NOTES
1	YSEAT6	1	YSEAT2 SUSPENSION SEAT WITHOUT SEATBELT	
2	LM1-509-00	1	SEAT BASE W-A	
3	YGASTRUT35	1	500N GAS STRUT	
4	LM1-506-01	1	UNDER SEAT PLATE	
5	XSC04008Z	4	M4 X 8 SOCKET CAP SCREW	
6	XW04SZ	4	M4 SPRING WASHER	
7	XW04AZ	4	M4 FORM A WASHER	
8	XBUT06035SKTZB	1	M6 X 35 BUTTON HEAD SCREW 8.8	
9	XW06AZ	4	M6 FORM A WASHER	
10	XW06SZ	8	M6 SPRING WASHER	
11	XS06020Z	2	M6 X 20 HEX HEAD SCREW 8.8	
12	YLATCH16	1	BONNET LATCH	
13	LM1-508-02	1	LATCH MOUNTING BLOCK	
15	XNS06H	2	M6 HEX NUTSERT	
16	XS10030Z	2	M10 X 30 HEX HEAD SCREW 8.8	
17	XW10AZ	6	M10 X 30 FORM A WASHER	
18	XN10N	2	M10 NYLOC NUT	
19	XN08HZB	2	M8 HALF NUT	
20	XN06N	1	M6 NYLOC NUT	
21	XSC06012Z	1	M6 X 12 SCKT CAP SCREW	
22	LM1-508-01	1	LATCH GUIDE BLOCK	
23	YBUFFER1	3	BUFFER	
24	XBUT06020SKTZB	5	M6 X 20 BUTTON HEAD SCREW 8.8	
25	LM1-506-05	1	UNDER SEAT HATCH PLATE	
26A	YEATBELT3-BUCKLE	1	SEATBELT BUCKLE SECURED WITH M12 FORM A WASHER AND M12 FINE X 25MM 8.8 SCREW	
26B	YSEATBELT3-REEL	1	SEATBELT REEL SECURED WITH M12 FORM A WASHER AND M12 FINE X 25MM 8.8 SCREW	

Table 76: Table 80: LM1-500-100 SUSPENSION SEAT - BOM

## CHAPTER5.2: PEDALS

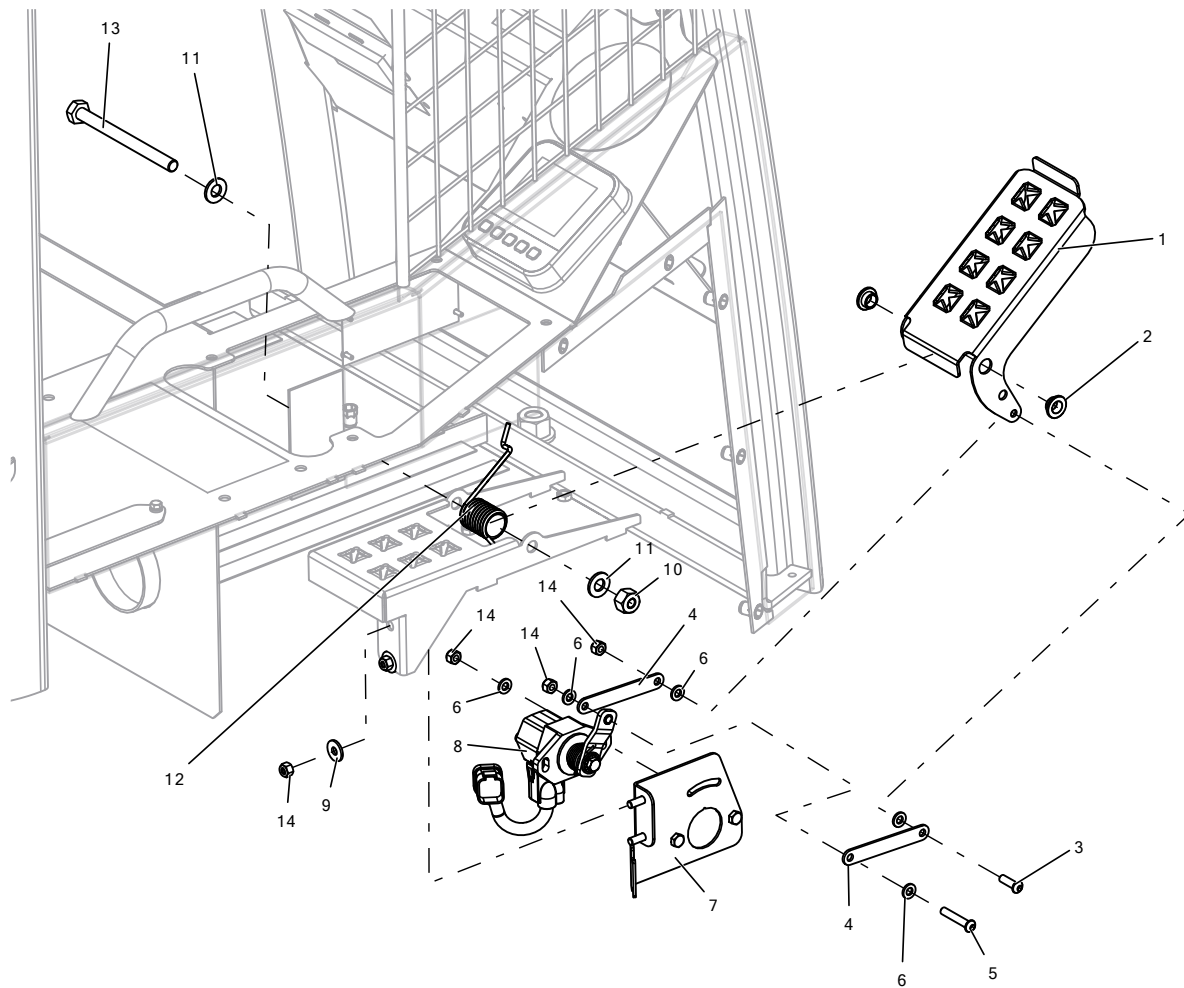


Figure 148 LM1-500-70 THROTTLE PEDAL ASSEMBLY

ITEM	PART NUMBER	QTY	DESCRIPTION	NOTES
1	LM1-502-07	1	ACCELERATOR PEDAL	
2	YBUSH15	2	SHOULDER BUSH	
3	XBUT06020SKTZB	1	M6 X 20 BUTTON HEAD SCREW 8.8	
4	LM1-500-63	2	LINKAGE THROTTLE POSITION SENSOR	
5	XBUT06035SKTZB	1	M6 X 35 BUTTON HEAD SCREW 8.8	
6	XW06AZ	13	M6 FORM A WASHER	
7	LM1-500-65	1	UNDER-PEDAL TPS MOUNT	
8	YTPS1	1	HATZ THROTTLE POSITION SENSOR	
9	XW06GZ	2	M6 FORM G WASHER	
10	XN10N	1	M10 NYLOC NUT	
11	XW10AZ	2	M10 FORM A WASHER	
12	3J0167	1	SPRING	
13	XS10120Z	1	M10 X 120 HEX HEAD SCREW 8.8	
14	XN06N	6	M6 NYLOC NUT	



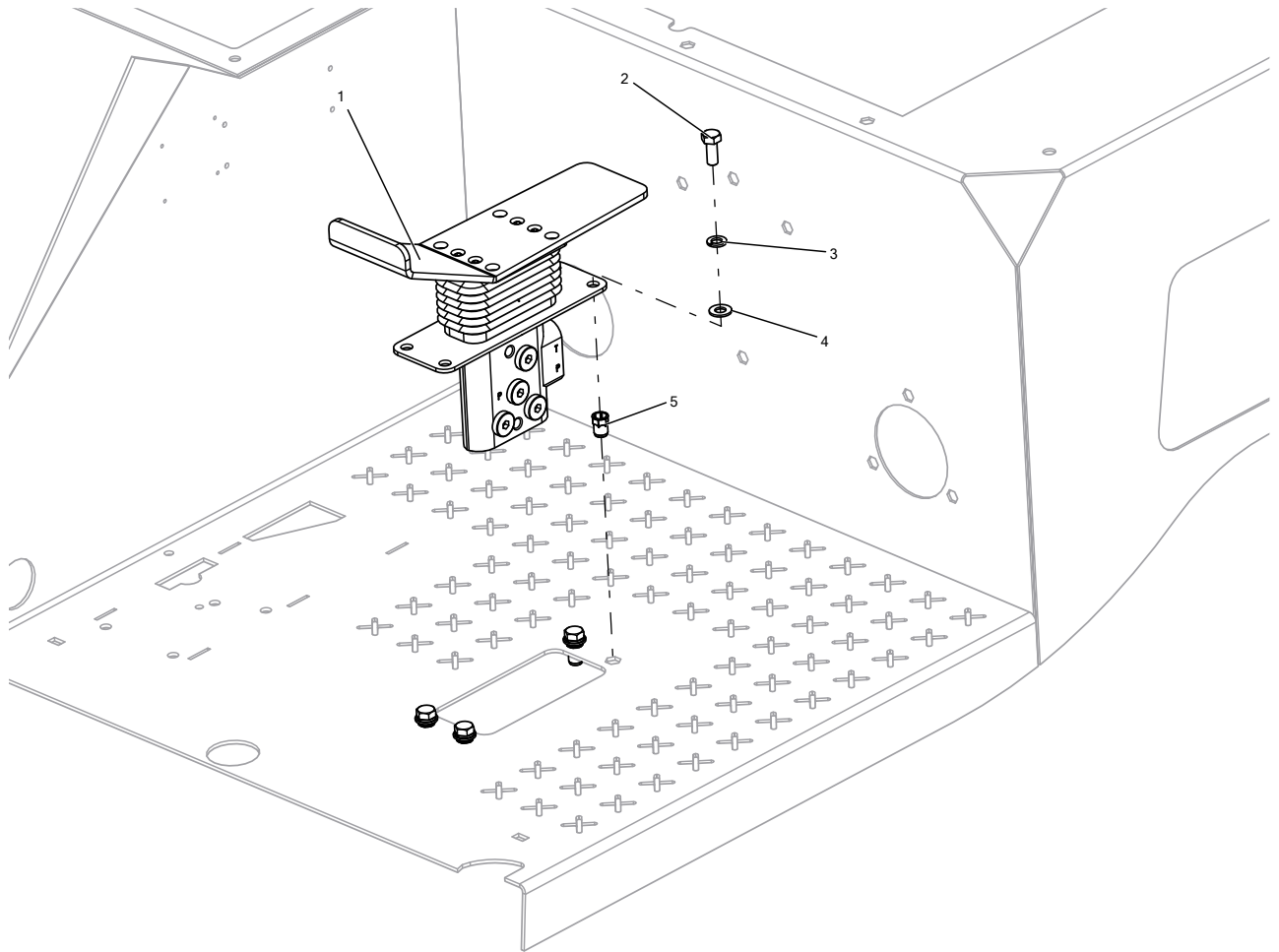
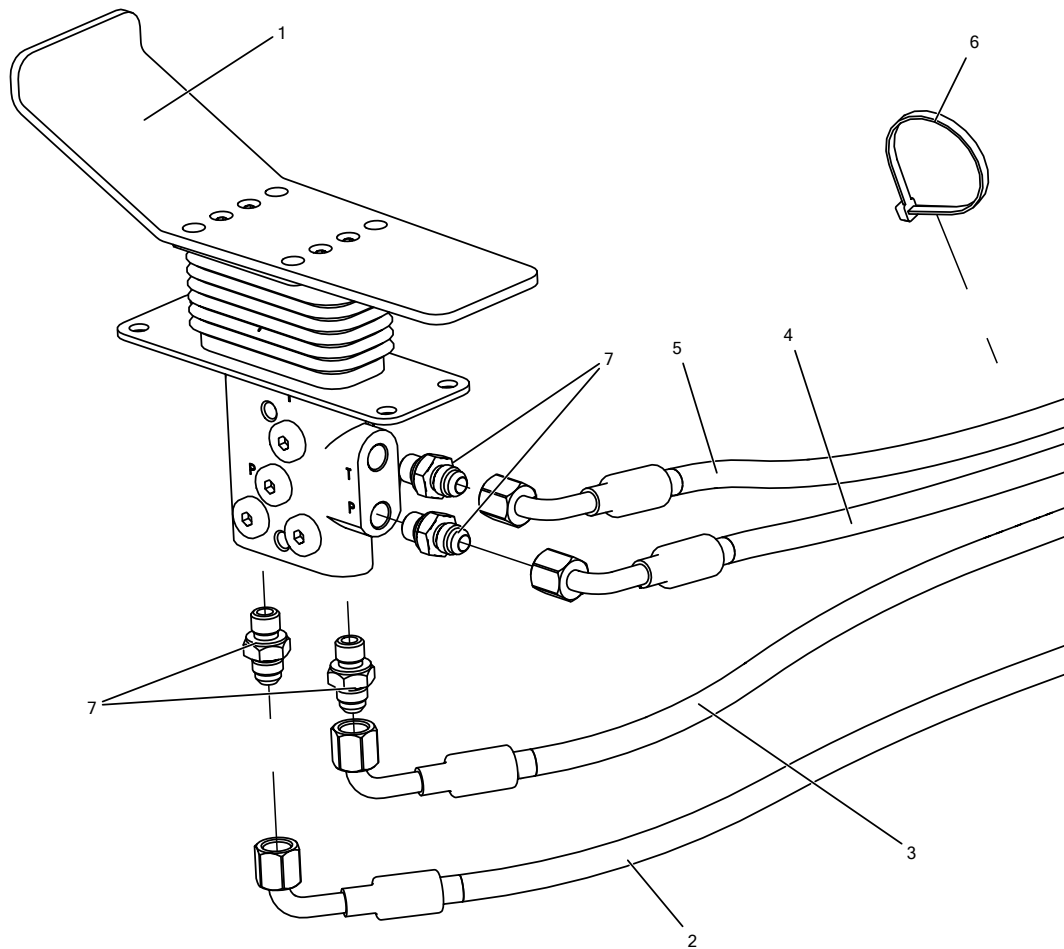


Figure 149: LM1-705-00 EBI HYDRAULIC DRIVE PEDAL TO CAB FLOOR

ITEM	PART NUMBER	QTY	DESCRIPTION	NOTES
1	YPEDAL1	1	FORWARD/REVERSE PEDAL	
2	XS08020Z	4	M8 X 20 HEX HEAD SCREW 8.8	
3	XW08SZ	4	M8 SPRING WASHER ZP	
4	XW08AZ	4	M8 FORM A WASHER	
5	XNS08H	4	M8 HEX NUTSERT	

Table 77: LM1-705-00 EBI HYDRAULIC DRIVE PEDAL TO CAB FLOOR – BOM



**NOTE: JIC HOSE CONNECTIONS SHOWN ABOVE AND IN DESCRIPTION BELOW. METRIC EQUIVALENTS LISTED AT END OF TABLE.**

Figure 150: LM1-705-20 EBI HYDRAULIC DRIVE PEDAL JIC

ITEM	PART NUMBER	QTY	DESCRIPTION	METRIC HOSE EQUIVALENTS
1	YPEDAL1-2	1	FORWARD/REVERSE PEDAL	-
2	LM1-700-J225	1	Foot Pedal "1" to Hydrostatic Pump Forward/Reverse	LM1-700-M225
3	LM1-700-J226	1	Foot Pedal "2" to Hydrostatic Pump Forward/Reverse	LM1-700-M226
4	LM1-700-J223	1	Block "BKR" to Foot Pedal "P"	LM1-700-M223
5	LM1-700-J224	1	"CDL" Block Tee to Foot Pedal "T"	LM1-700-M224
6	CABLE-TIE-5-260	1	CABLE TIE	-
7	YHA1.4-9.16J		1/4"BSP-9/16"JIC ADAPTOR WITH INTEGRAL SEAL	YHA1.4-8L

Table 78: LM1-705-20 EBI HYDRAULIC DRIVE PEDAL JIC - BOM

## CHAPTER5.3: MAIN PARTS AND DUMP VALVE

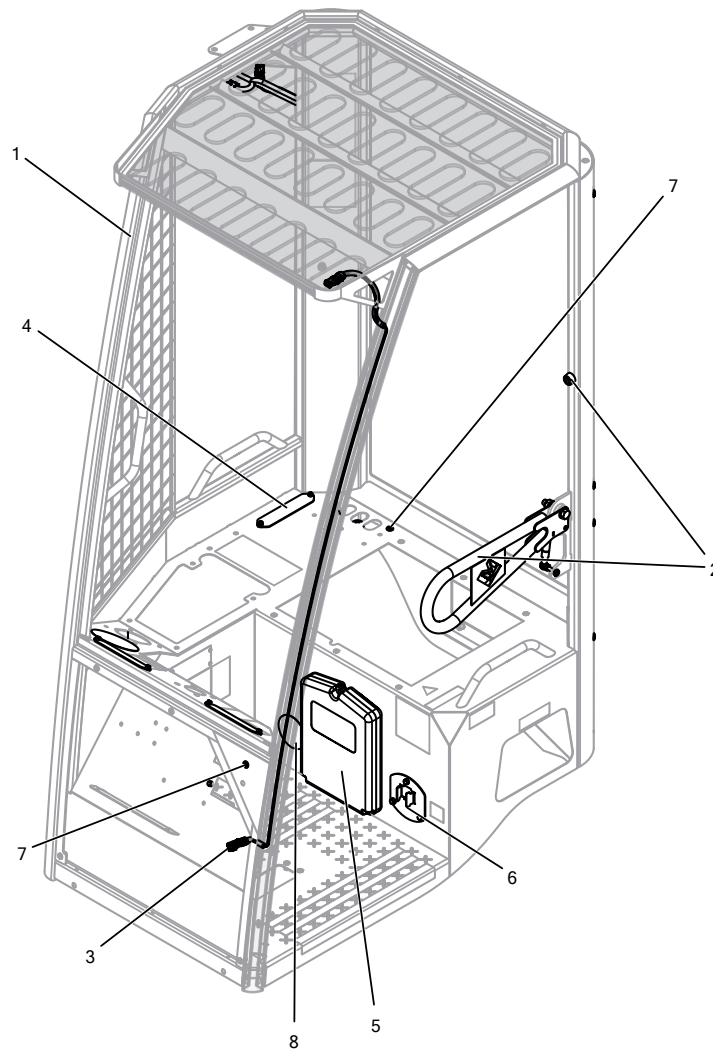


Figure 151: LM1-501-103 COMMON CAB MAIN PARTS

ITEM	PART NUMBER	QTY	DESCRIPTION	NOTES
1	LM1-501-97	1	CAB FRAME WELD ASSEMBLY WITH STICK-ON PARTS	
2	LM2-501-130	1	ARM REST/GUARD KIT	
3	LM1-810-07	1	CAB FRONT WORKLIGHT LOOM	
4	LM1-501-120	1	CAB VENT COVER PLATE WITH FASTENERS	
5	LM1-501-125	1	DOCUMENT HOLDER KIT	
6	LM1-501-124	1	DUMP VALVE SWITCH PLATE KIT	
7	YGR110	2	GROMMET OPEN 10DIA	
8	YPLUG76	1	DOMED BLANKING PLUG 76MM BLACK	

Table 79: LM1-501-103 COMMON CAB MAIN PARTS - BOM

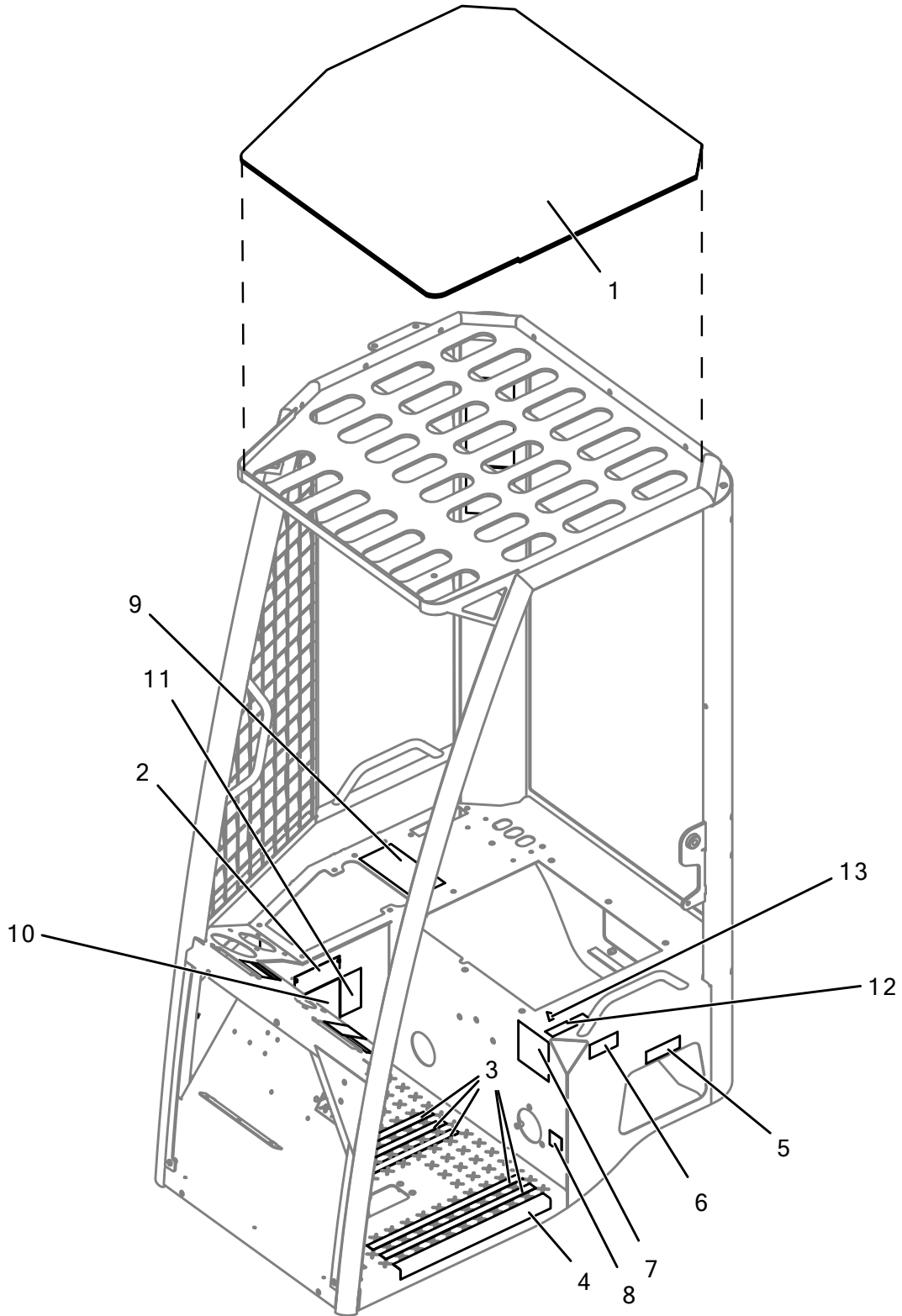


Figure 152: LM1-501-97 CAB FRAME WITH ROOF AND DECALS

ITEM	PART NUMBER	QTY	DESCRIPTION	NOTES
1	LM1-505-01	1	POLYCARBONATE ROOF REQUIRES THE FOLLOWING TO BOND TO CAB FRAME: -SIKA SIKAFLEX ULTRAFast BLACK ADHESIVE -SIKA ACTIVATOR 100 -SIKA PRIMER 209	
2	YLABEL2	1	LOADMAC SERIAL PLATE	
3	LM1-501-95	5	GRIP TAPE YTAPE8 400MM LONG	
4	LM1-501-96	1	GRIP TAPE YTAPE9 400MM LONG	
5	LM1-901-09	1	DIESEL DECAL	
6	LM1-901-63	1	GREASE DECAL	
7	LM1-901-28	1	SERVICE INFORMATION DECAL	
8	LM1-901-58	1	DUMP VALVE DECAL	
9	LM1-901-21	1	LEVER OPERATION DECAL	
10	LM1-901-26	1	LOADCHART DECAL	
11	LM1-901-25	1	MAINTENANCE WARNING DECAL	
12	LM1-901-29	1	NO PASSENGERS DECAL	
13	LM1-901-32	1	PINCH WARNING DECAL	

Table 80: LM1-501-97 CAB FRAME WITH ROOF AND DECALS BOM

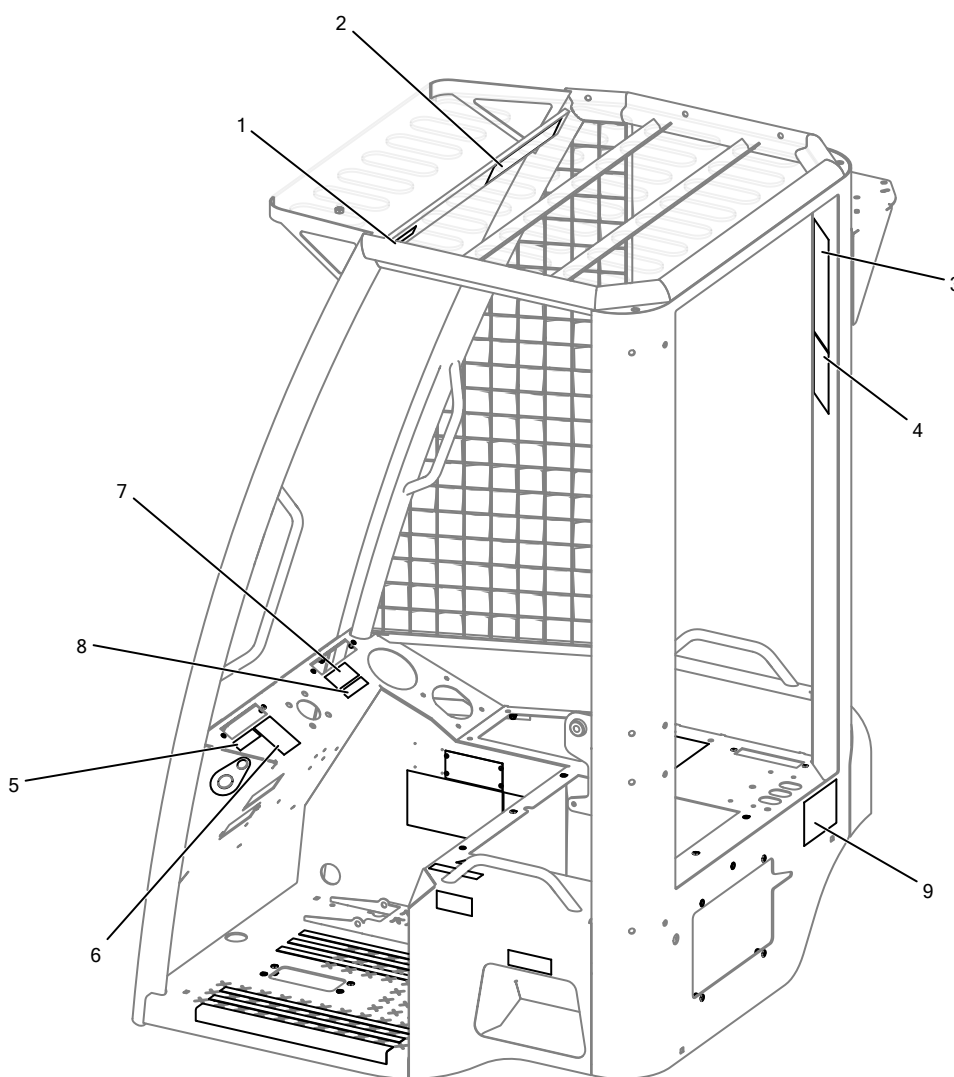


Figure 153: LM1-501-97 CAB DECALS 2

ITEM	PART NUMBER	QTY	DESCRIPTION	NOTES
1	LM1-901-11	1	DO NOT TOW DECAL	
2	LM1-901-35	1	DRIVER SAFETY DECAL	
3	LM1-901-34	1	SAFETY INSTRUCTIONS DECAL	
4	LM1-901-41	1	HIGH NOISE LEVEL DECAL	
5	LM1-901-12	1	DO NOT MOUNT USING ISR WARNING DECAL	
6	LM1-901-14	1	DRIVE DECAL	
7	LM1-901-08	1	DAILY CHECKS DECAL	
8	LM1-901-05	1	BATTERY ISOLATOR UNDER BONNET DECAL	
9	LM1-901-15	1	REAR LEVER CONTROLS DECAL	

Table 81: LM1-501-97 CAB DECALS 2 BOM

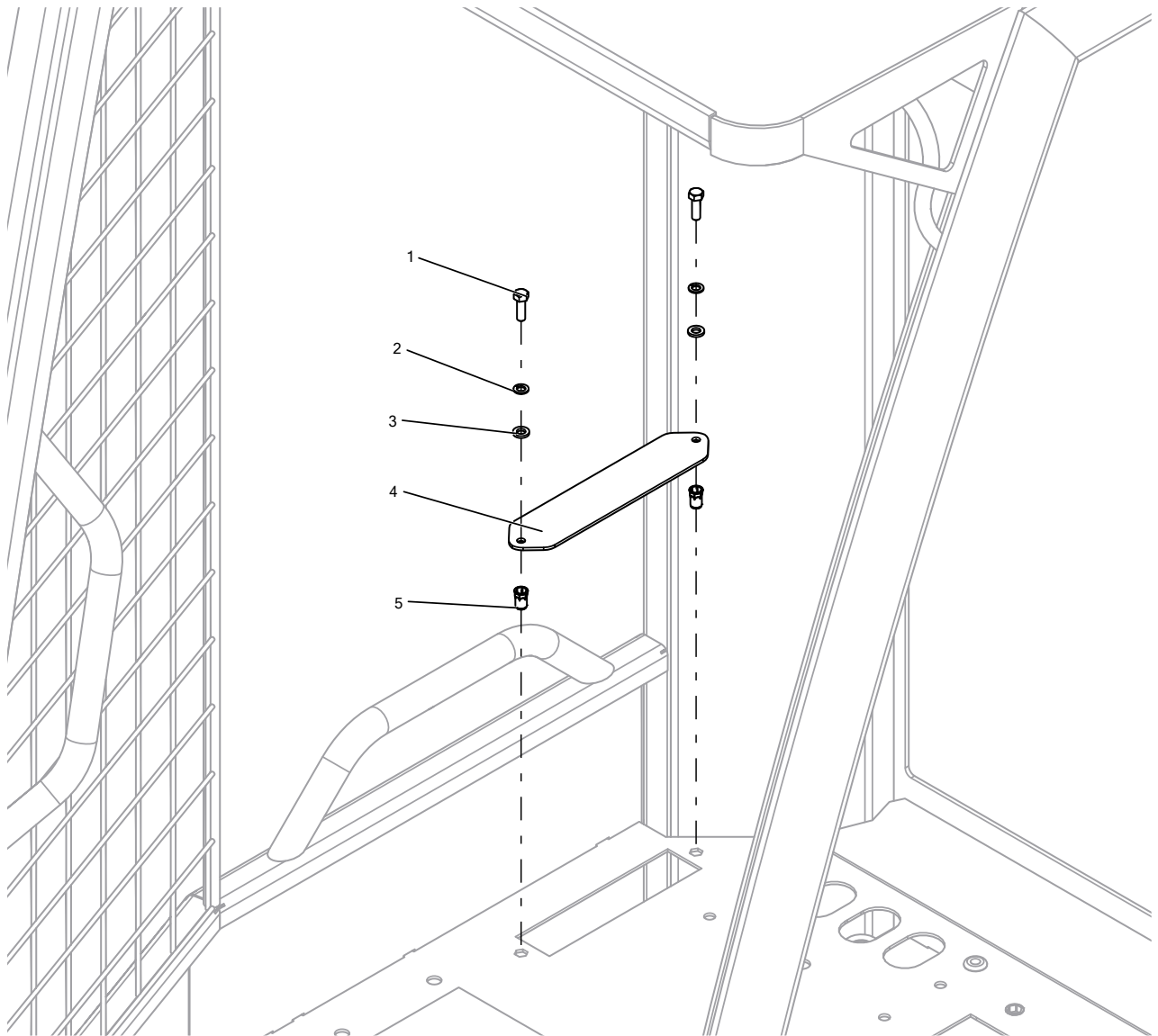


Figure 154: LM1-501-120 CAB VENT COVER PLATE WITH FASTENERS

ITEM	PART NUMBER	QTY	DESCRIPTION	NOTES
1	XS05016Z	2	M5 X 16 HEX HEAD SCREW 8.8	
2	XW05SZB	2	M5 SPRING WASHER	
3	XW05Z	2	M5 FORM A WASHER	
4	LM1-500-27	1	COVER PLATE	
5	XNS05H	2	M5 HEX NUTSERT	

Table 82: LM1-501-120 CAB VENT COVER PLATE WITH FASTENERS – BOM



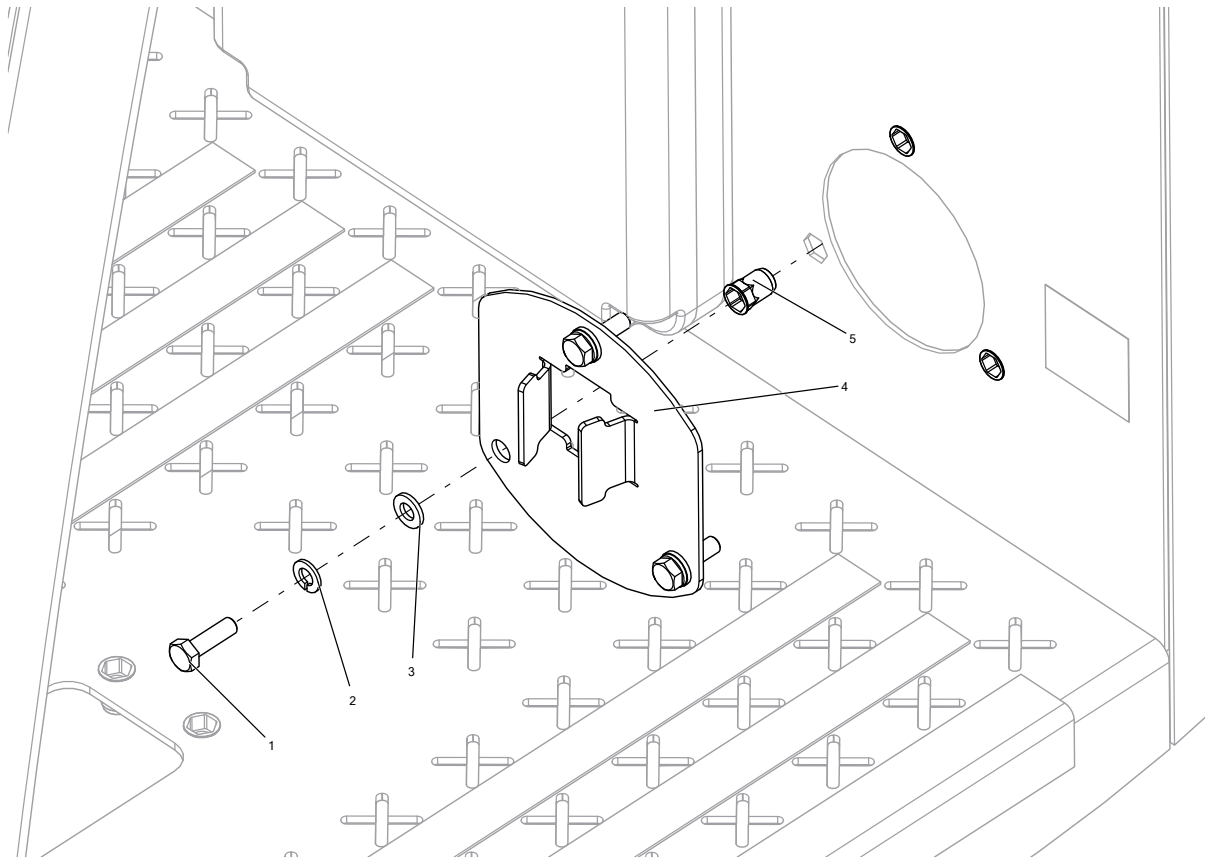


Figure 155: LM1-501-124 DUMP VALVE SWITCH PLATE KIT

ITEM	PART NUMBER	QTY	DESCRIPTION	NOTES
1	XS06020Z	3	M6 X 20 HEX HEAD SCREW 8.8	
2	XW06SZ	3	M6 SPRING WASHER	
3	XW06AZ	3	M6 FORM A WASHER	
4	LM1-500-30	1	PLATE - DUMP VALVE SWITCH	
5	XNS06H	3	M6 HEX NUTSERT	

Table 83: LM1-501-124 DUMP VALVE SWITCH PLATE KIT - BOM

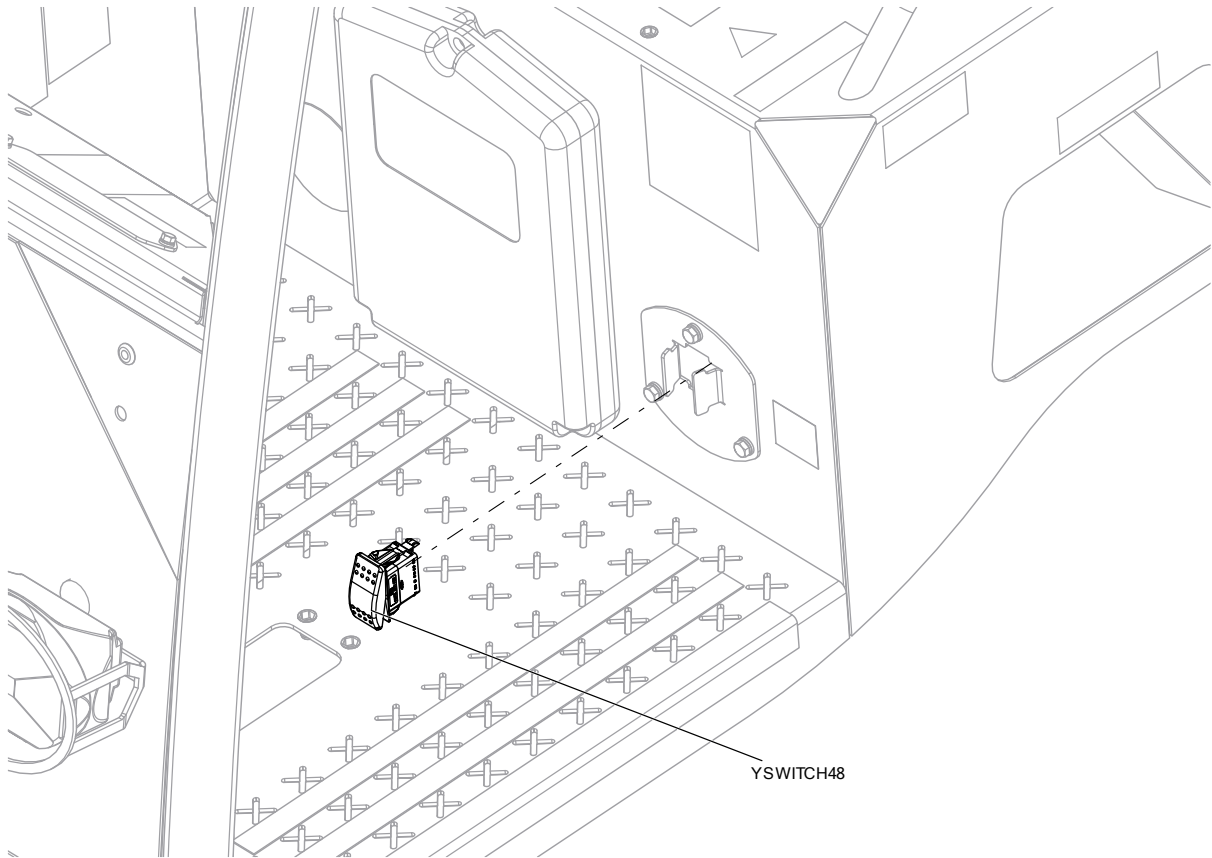


Figure 156: LM1-500-500 YSWITCH48 DUMP VALVE SWITCH

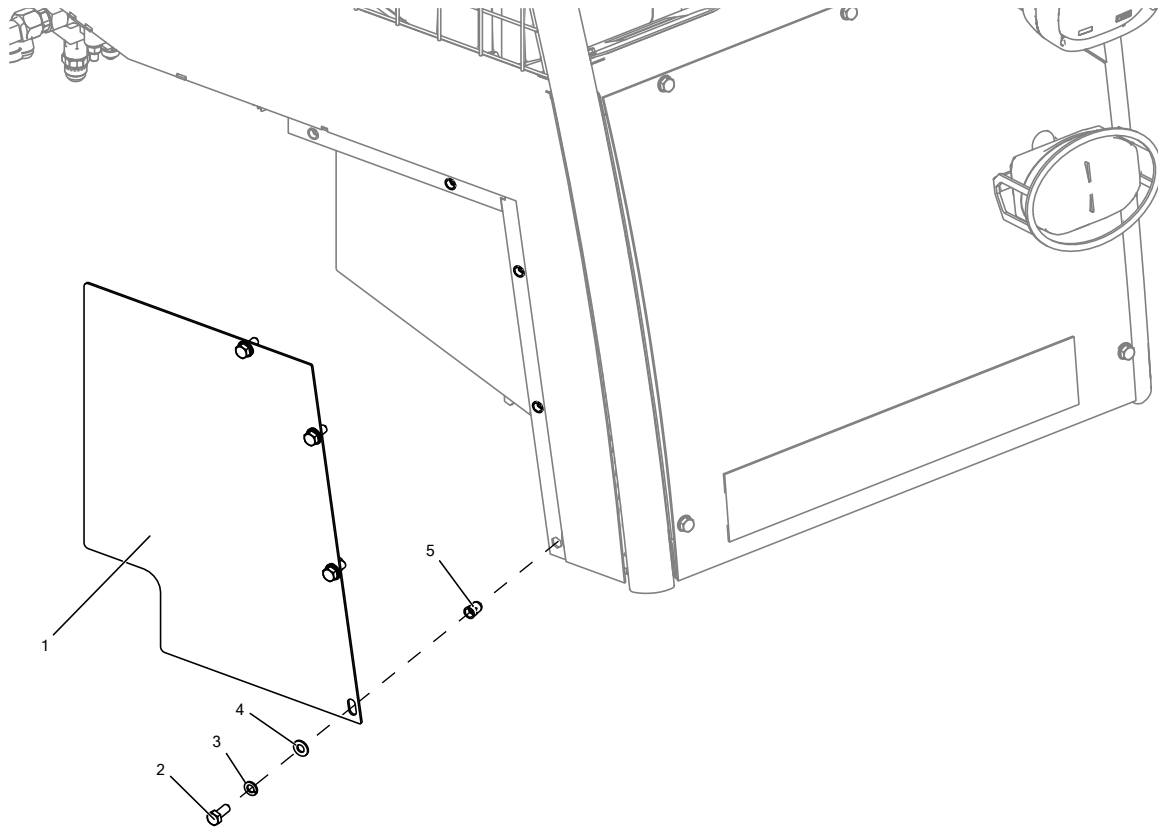


Figure 157: LM1-501-126 SIDE PANEL

ITEM	PART NUMBER	QTY	DESCRIPTION	NOTES
1	LM1-500-13	1	SIDE PANEL	
2	XS08020Z	4	M8 X 20 HEX HEAD SCREW 8.8	
3	XW08SZ	4	M8 SPRING WASHER	
4	XS08AZ	4	M8 FORM A WASHER	
5	XNS08H	4	M8 HEX NUTSERT	

LM1-501-126 SIDE PANEL

Valid for truck 855-713 to date



Figure 158: DUMP VALVE ASM JIC &amp; HOSES (MODEL NUMBER UP TO 855-959)

ITEM	PART NUMBER	QTY	DESCRIPTION	METRIC HOSE EQUIVALENTS
1	LM1-700-J321	1	JIC Diff Block "T" Tee to YVALVE17 Rear Tee	LM1-700-M321
2	LM1-700-J319	1	JIC Valve Bank Section 3 Rear Tee to YVALVE17 Rear Bottom Check Valve	LM1-700-M319
3	LM1-700-J318	1	JIC Valve Bank Section 1 Front Tee to YVALVE17 Front Tee	LM1-700-M318
4	LM1-700-J320	1	JIC Top Rear Check Valve to YVALVE17 Rear Tee Branch	LM1-700-M320
5	YVALVE17	1	N/C 2/2 SOLENOID VALVE	-
6	YHT9-16JMF	2	9/16" JIC MFM BRANCH TEE (J16)	YHT8LMFM
7	YHAR-1MM-1-4-9-16J	1	1MM RESTRICTED ADAPTOR 1/4" BSP TO 9/16" JIC	YHAR-1MM-1.4-8L
8	XN08N	2	M8 NYLOC NUT	-
9	XW08AZ	4	M8 FORM A WASHER	-
10	XS08020Z	2	M8 X 20 HEX HEAD SCREW 8.8	-
11	YHA1.4-9.16J	5	1/4" BSP-9/16" JIC ADAPTOR WITH INTEGRAL SEAL (J2)	YHA1.4-8L
12	YHCKV1.4FF	3	TH19-0192 - IN-LINE CHECK VALVE 1/4" BSP F/F	-
13	YHA9.16JMFE	3	9/16" JIC MF ELBOW (J18)	YHA8LMFE
14	YHS1/4D	1	1/4" BSP DOWTY SEAL (1)	NOT REQUIRED
15	YHA1.4-9.16JF	1	1/4" BSP TO 9/16" JIC FEMALE SWIVEL ADAPTOR (J3)	YHA1.4-8LF
16	YHT9.16JFFF	1	9/16" TEE PIECE	YHA1.4-8LFM
17	YHA1.4-9.16J	1	1/4" BSP-9/16" JIC ADAPTOR WITH INTEGRAL SEAL (J2)	YHA1.4-8LF

Table 84: LM1-707-30 DUMP VALVE ASM JIC &amp; HOSES (MODEL NUMBER UP TO 855-959) - BOM

Valid for truck 855-713 to date

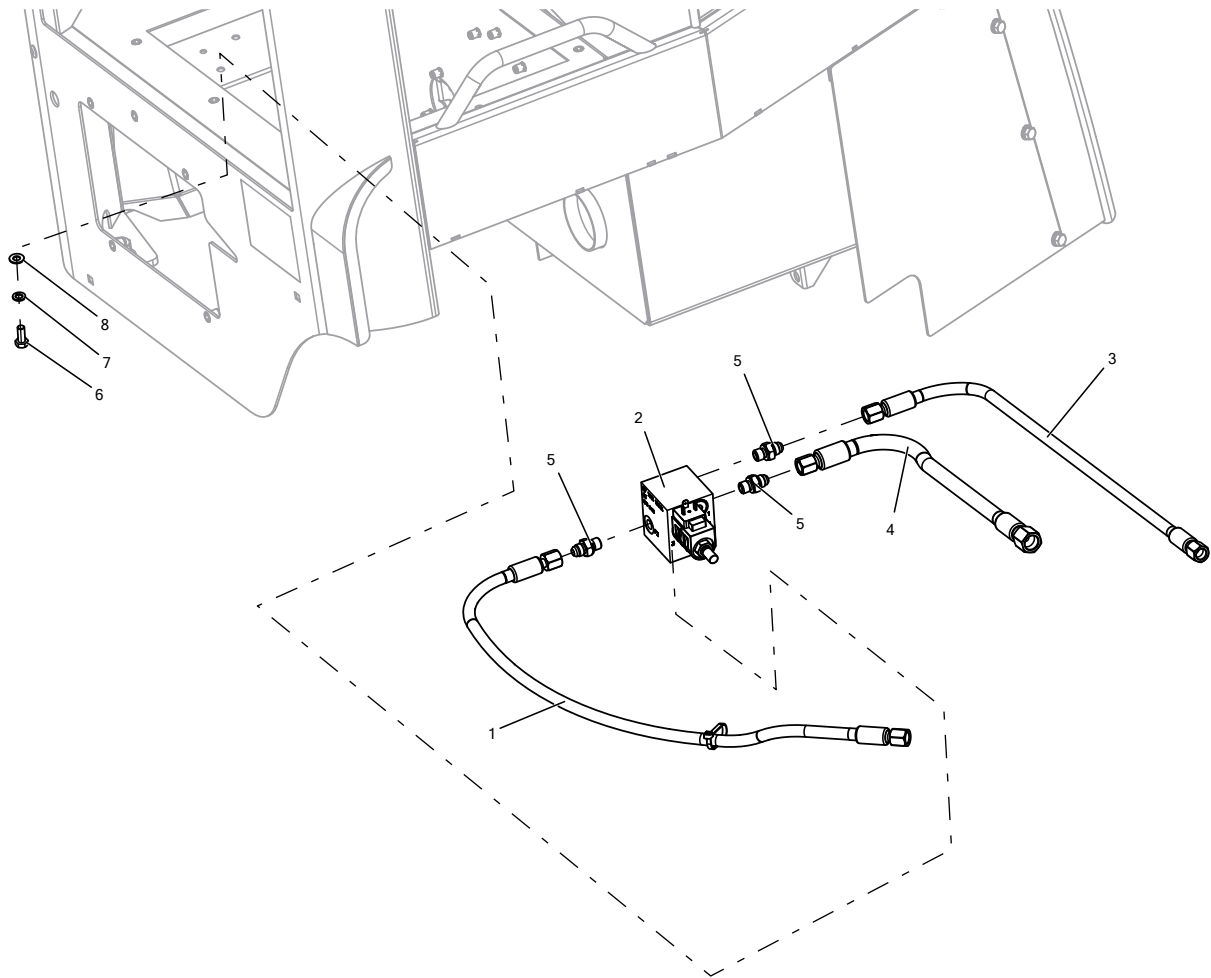


Figure 159: DUMP VALVE WITH FIXINGS AND HOSES JIC (MODEL NUMBER 855-960 ONWARDS)

ITEM	PART NUMBER	QTY	DESCRIPTION	METRIC HOSE EQUIVALENTS
1	LM1-700-J323	1	YBLOCK8 TO LEVER BANK POSITION 3 TEE JIC	LM1-700-M323
2	LM1-707-50	1	DUMP VALVE (YBLOCK8) WITH FASTNERS	-
3	LM1-700-J324	1	YBLOCK8 TO LEVER BANK POSITION 1 TEE JIC	LM1-700-M324
4	LM1-700-J322	1	YBLOCK8 TO 6-PORT MANIFOLD JIC	LM1-700-M322 + YHA8LF-10LF (ADAPTER)
5	YHA1.4-9.16J	3	1/4" BSP-9/16" JIC ADAPTOR WITH INTEGRAL SEAL (J2)	YHA1.4-8L
6	XS08020Z	2	M8 X 20 HEX HEAD SCREW 8.8	-
7	XS08SZ	2	M8 SPRING WASHER	-
8	XW08AZ	2	M8 FORM A WASHER	-

Table 85: LM1-707-70 DUMP VALVE WITH FIXINGS AND HOSES JIC (MODEL NUMBER 855-960 ONWARDS)

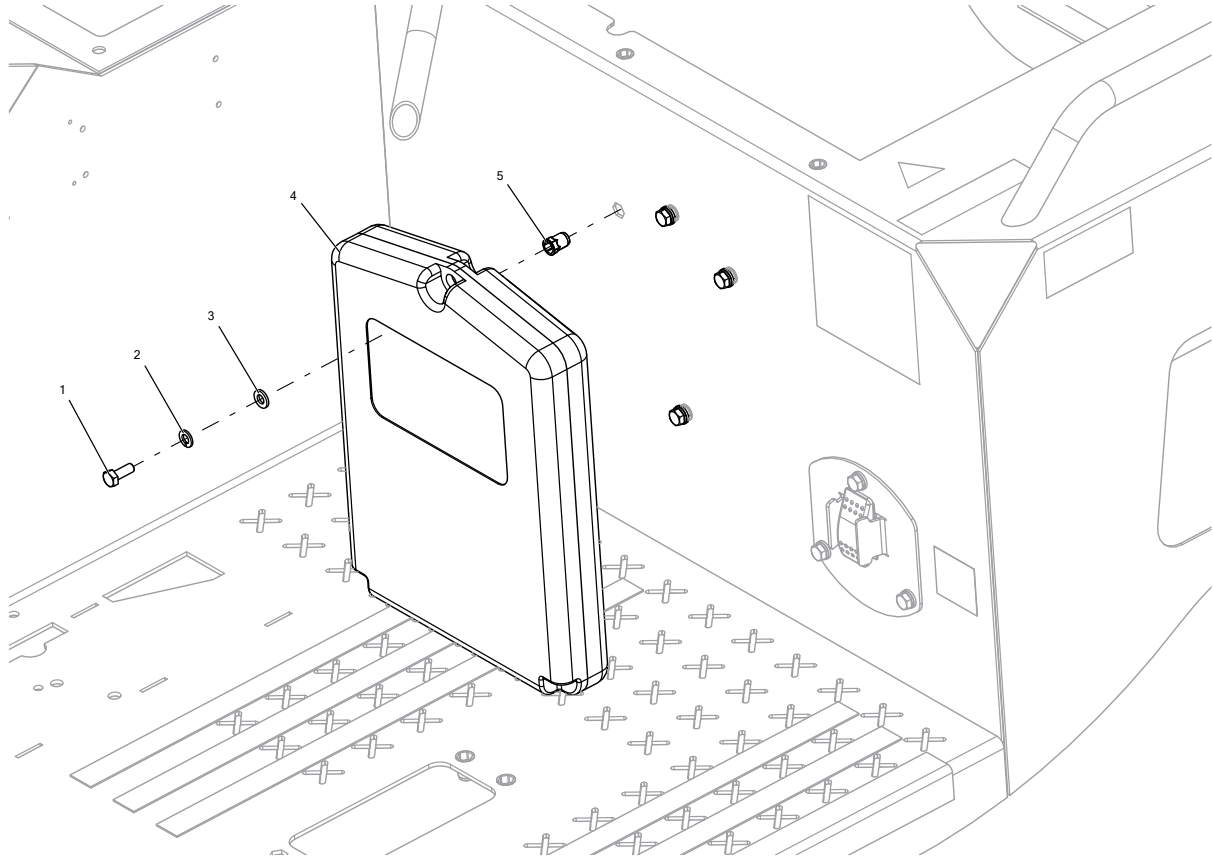


Figure 160: LM1-501-125 DOCUMENT HOLDER

ITEM	PART NUMBER	QTY	DESCRIPTION	NOTES
1	XS06016Z	4	M6 X 16 HEX HEAD SCREW 8.8	
2	XW06SZ	4	M6 SPRING WASHER ZP	
3	XW06AZ	4	M6 FORM A WASHER	
4	YDOCHOLD4	1	DOCUMENT HOLDER	
5	XNS06H	4	M6 HEX NUTSERT	

Table 86: LM1-501-125 DOCUMENT HOLDER - BOM

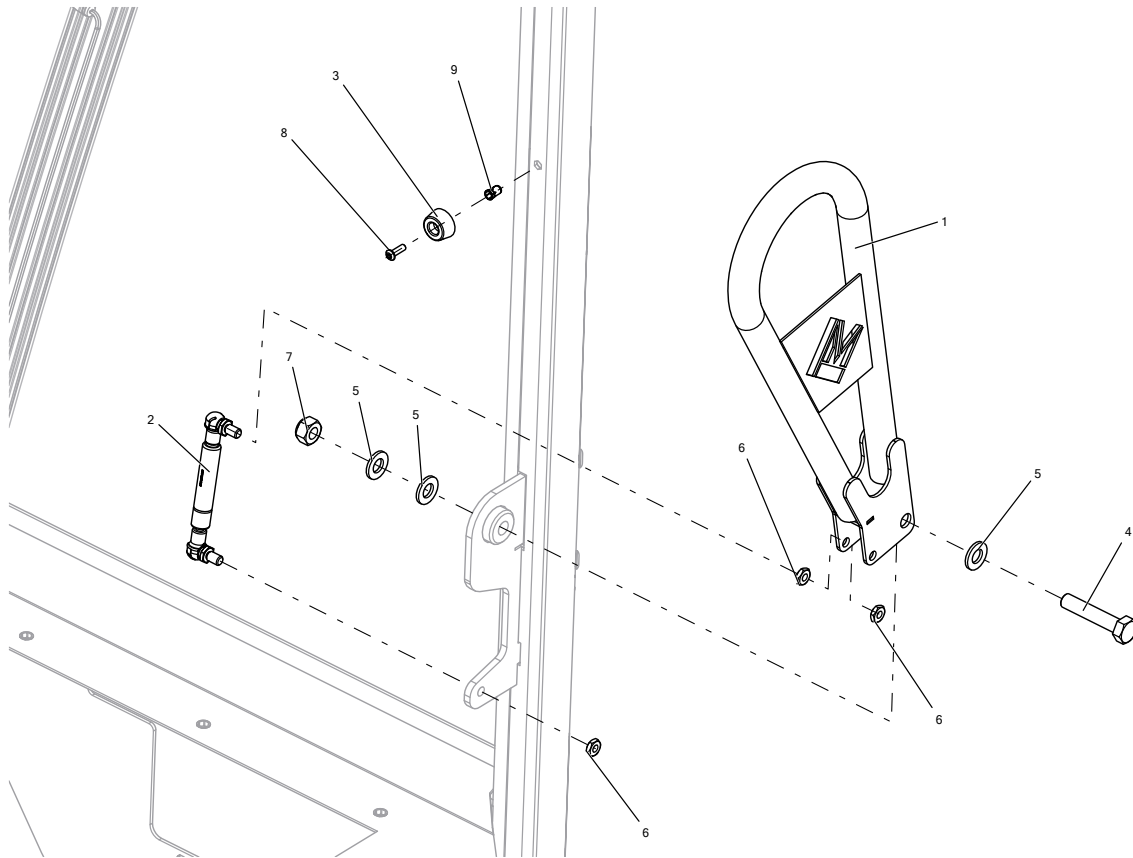


Figure 161: LM1-501-130 ARM REST GUARD

ITEM	PART NUMBER	QTY	DESCRIPTION	NOTES
1	LM1-505-00	1	ARM REST/GUARD	
2	YGASTRUT31	1	250N 155.5 MM GAS SPRING	
3	YBUFFER1	1	SMALL BUFFER STOP	
4	XS12060Z	1	M12 X 60 HEX HEAD SCREW 8.8	
5	XW12Z	3	M12 FORM A WASHER	
6	XN08HZB	3	M8 HALF NUT	
7	XN12N	1	M12 NYLOC NUT	
8	XBUT05016SKTZB	1	M5 X 16 BUTTON HEAD SCREW 8.8	
9	XNS05H	1	M5 HEX NUTSERT	

Table 87: LM1-501-130 ARM REST GUARD – BOM

## CHAPTER5.4: FRONT COVER PANEL ASSEMBLY AND LHS INDICATOR LIGHT



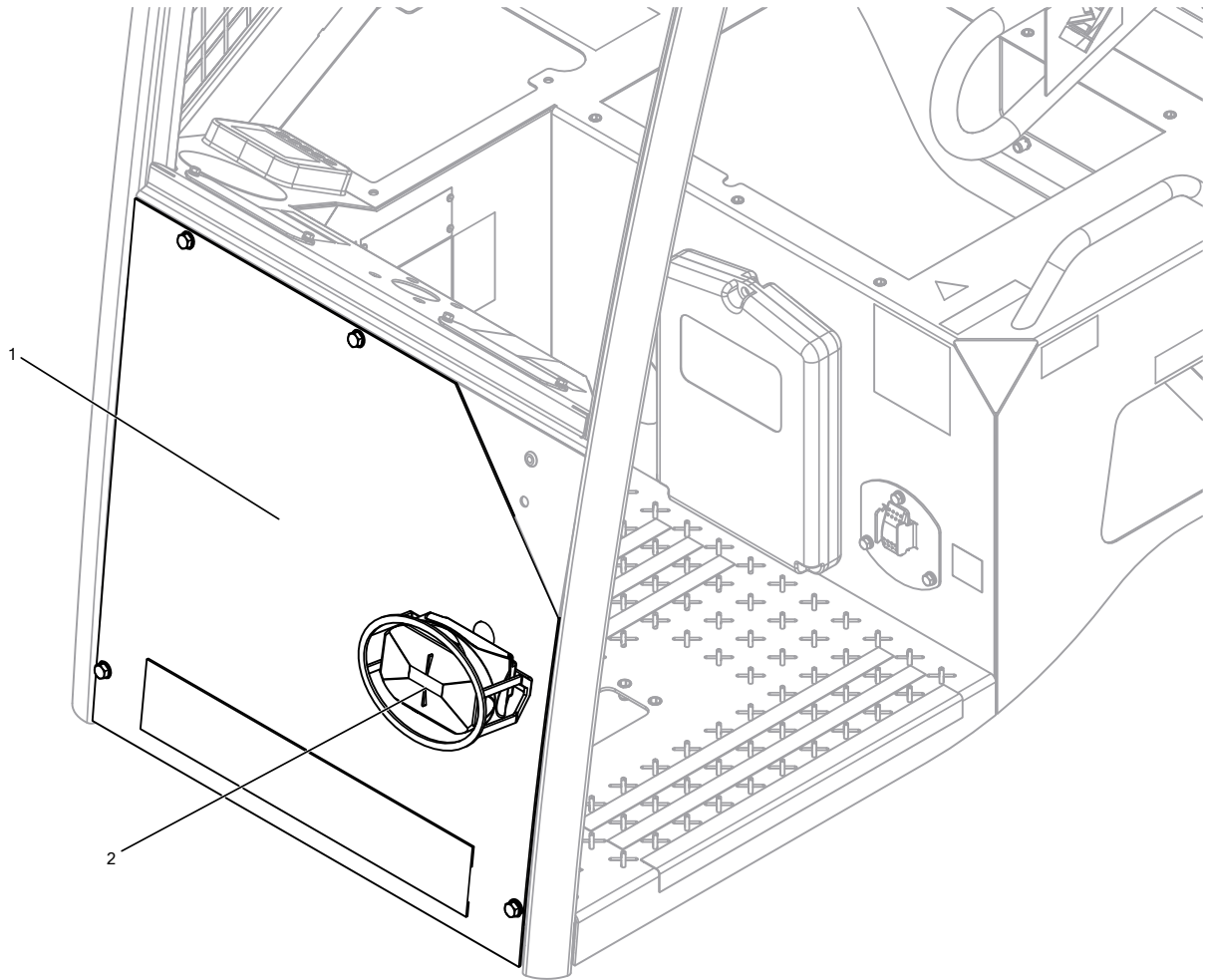


Figure 162: LM1-501-128 FRONT COVER PANEL ASSEMBLY

ITEM	PART NUMBER	QTY	DESCRIPTION	NOTES
1	LM1-500-54	1	CAB DASH COVER PANEL WITH SEAL AND DECAL	
2	LM1-840-01	1	CAB INDICATOR LIGHT ASSEMBLY	

Table 88: LM1-501-128 FRONT COVER PANEL ASSEMBLY – BOM

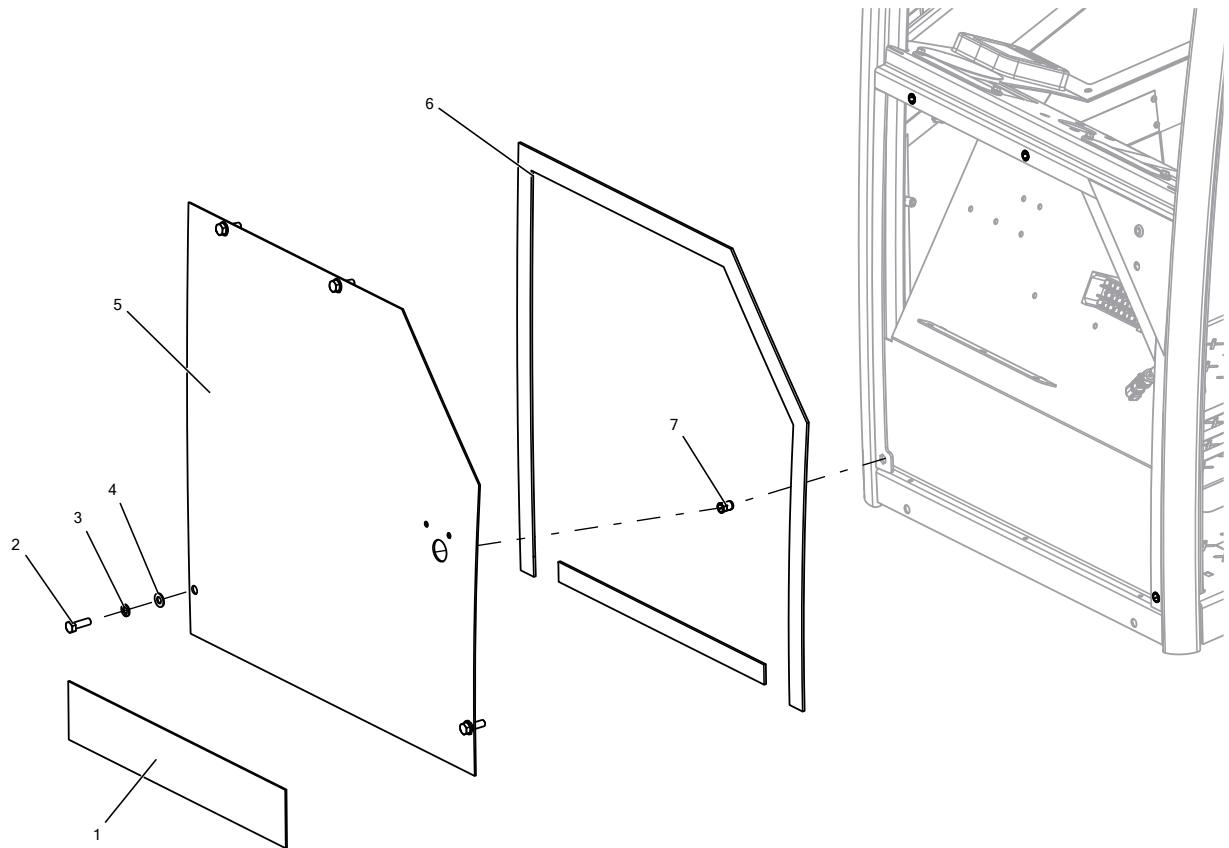


Figure 163 LM1-500-54 CAB DASH COVER PANEL WITH SEAL AND DECAL

ITEM	PART NUMBER	QTY	DESCRIPTION	NOTES
1	LM1-901-18	1	FRONT PANEL LOADMAC LOGO DECAL	
2	XS08025Z	4	M8 X 25 HEX HEAD SCREW 8.8	
3	XW08SZ	4	M8 SPRING WASHER	
4	XW08AZ	4	M8 FORM A WASHER	
5	LM1-500-02	1	FRONT PANEL	
6	LM1-500-53	1	FRONT PANEL SEAL STRIP	
7	XNS08H	4	M8 HEX NUTSERT	

Table 89: LM1-500-54 CAB DASH COVER PANEL WITH SEAL AND DECAL

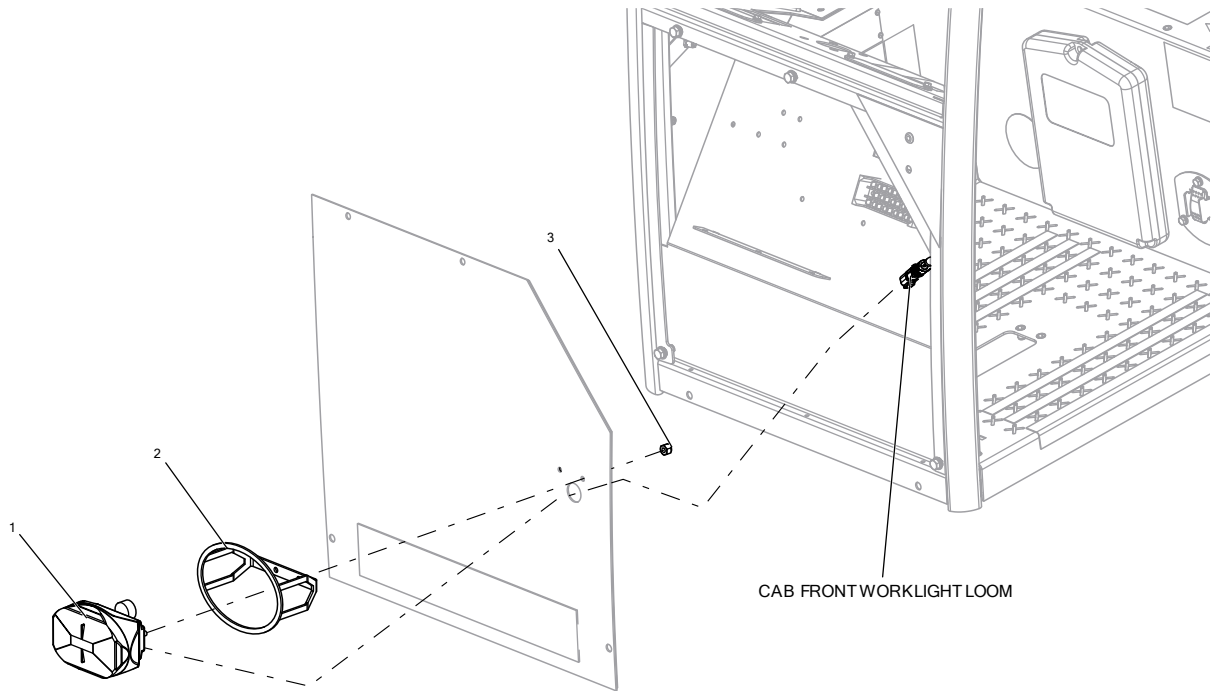


Figure 164: LM1-840-01 FRONT LIGHT ASSEMBLY

ITEM	PART NUMBER	QTY	DESCRIPTION	NOTES
1	YLIGHT27	1	LH SIDE/INDICATOR LAMP	
2	LM1-712-00	1	MK2 LIGHT PROTECTION BRACKET	
3	XN08N	2	M8 NYLOC NUT	

Table 90: LM1-840-01 FRONT LIGHT ASSEMBLY – BOM

## CHAPTER5.5: ORANGE BEACON LIGHT

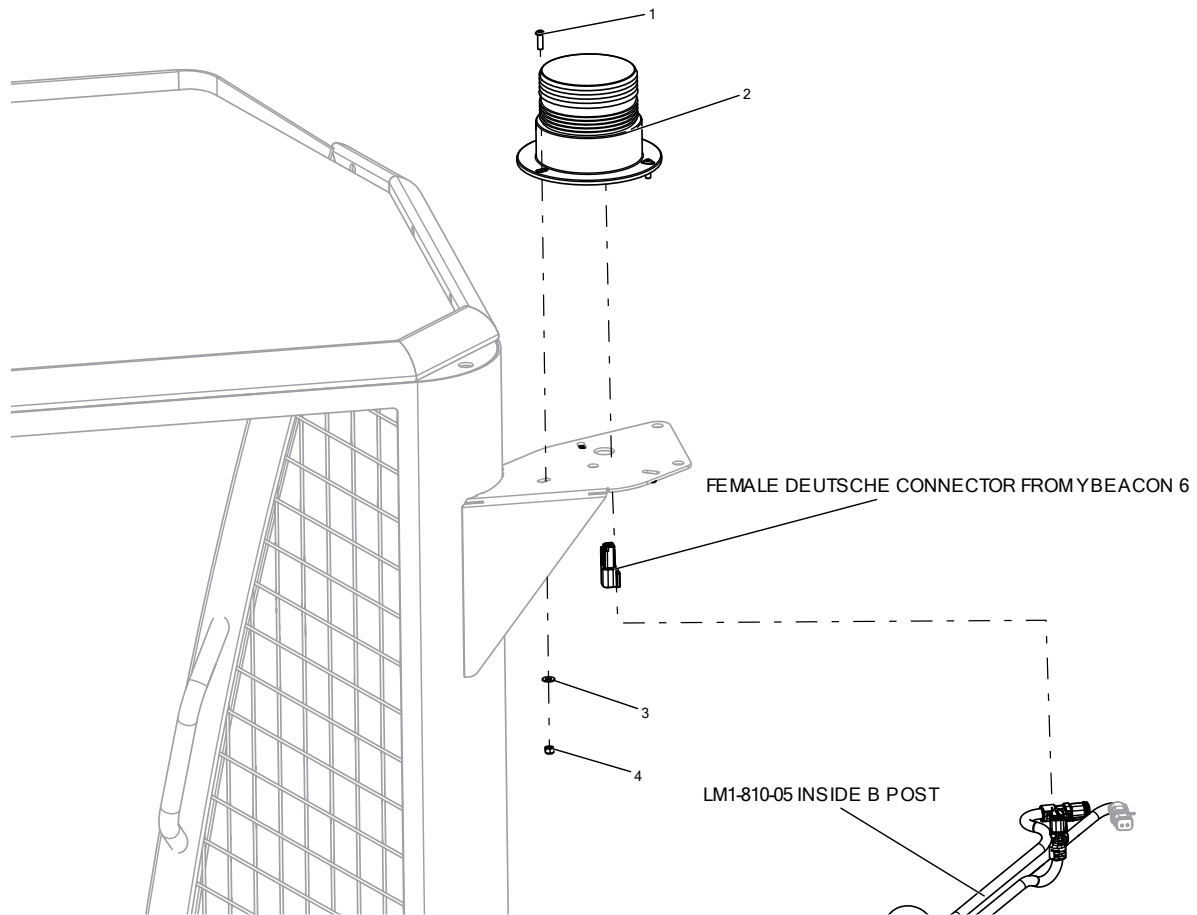


Figure 165: LM1-840-03 ORANGE BEACON LIGHT

ITEM	PART NUMBER	QTY	DESCRIPTION	NOTES
1	XBUT05016SKTZB	3	M5 X 16 BUTTON HEAD SCREW 8.8	
2	YBEACON6	1	AMBER BLASHING BEACON	
3	XW05CZB	3	M5 FORM A WASHER	
4	XN05N	3	M5 NYLOC NUT	

Table 91: LM1-840-03 ORANGE BEACON LIGHT – BOM

## CHAPTER5.6: SEATBELT GREEN BEACON WARNING KIT OPTION

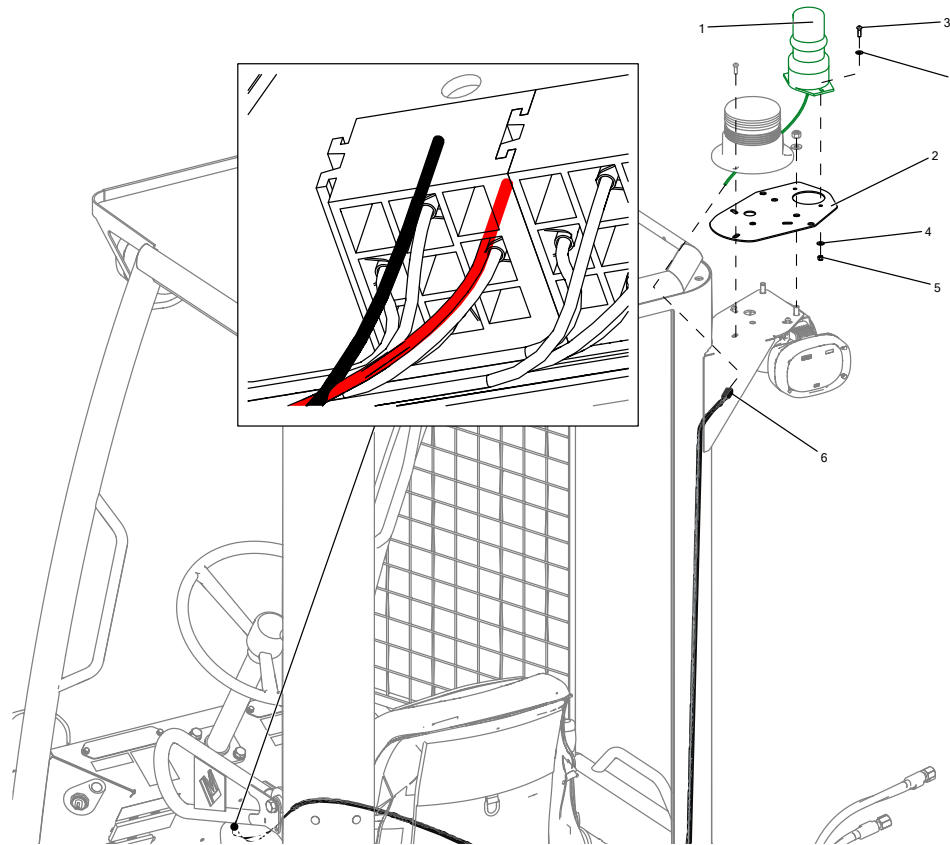


Figure 166: LM8SBWB SEATBELT BEACON WARNING KIT

ITEM	PART NUMBER	QUANTITY	DESCRIPTION
1	YLIGHT69	1	GREEN LED FLASHING BEACON
2	LM1-513-01	1	GREEN BEACON PLATE
3	XBUT05016SKTZB	2	M5 X 16 BUTTON HEAD SCREW 8.8
4	XW05AZ	4	M5 FORM A WASHER
5	XN05N	2	M5 NYLOC NUT
6	LM1-831-00	1	SECONDARY BEACON LOOM

Table 92: LM8SBWB SEATBELT BEACON WARNING KIT - BOM

## CHAPTER5.7: FUSES / DISPLAY / IGNITION / GLOW PLUG



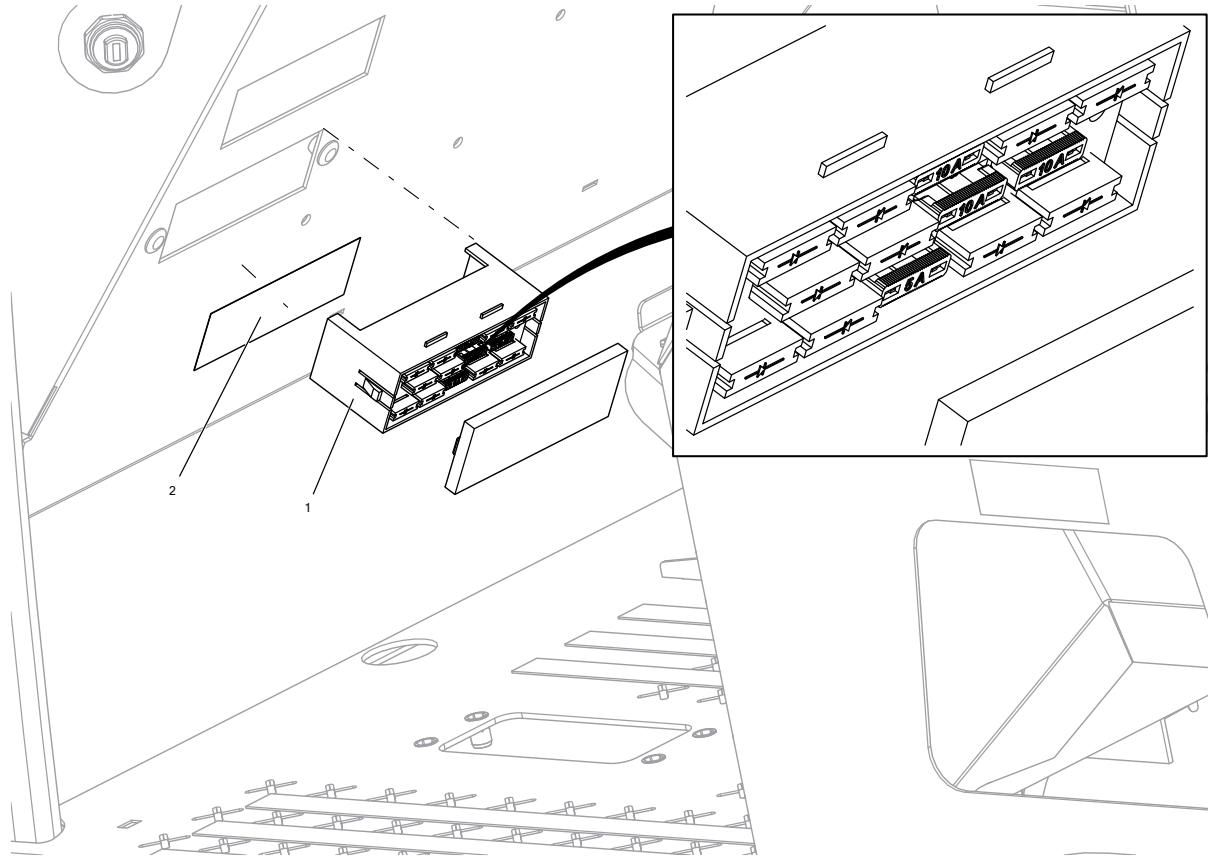


Figure 167 LM1-840-06 DASHBOARD FUSEBOX ASSEMBLY

ITEM	PART NUMBER	QTY	DESCRIPTION	NOTES
1	YFUSEBOX2	1	14 WAY FUSE HOLDER - COBO 1027838	
2	LM1-901-78 LM1-901-74	1	USA/CAN FUSEBOX DECAL ALL OTHER TERRITORIES FUSEBOX DECAL	

Table 93: LM1-840-06 DASHBOARD FUSEBOX ASSEMBLY

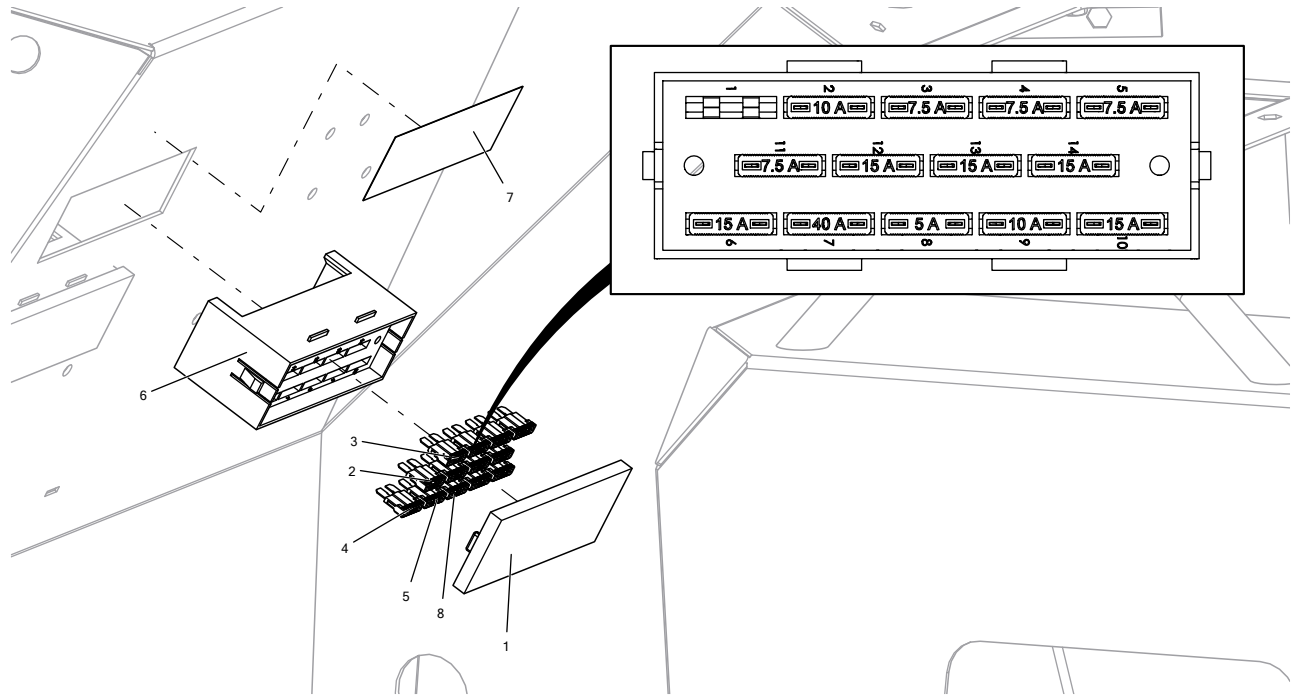


Figure 168: LM1-840-04 YFUSEBOX2 FUSES STANDARD ACCESSORIES – 2 WAY

ITEM	PART NUMBER	QTY	DESCRIPTION	NOTES
1	YFUSEBOX2-LID	1	FUSEBOX LID	
2	YFUSE4	4	7.5A FUSE	
3	YFUSE3	2	10A FUSE	
4	YFUSE2	5	15A FUSE	
5	YFUSE10	1	40A FUSE	
6	YFUSEBOX2-HOUSING	1	FUSEBOX HOUSING	
7	LM1-901-73	1	SIDE CHASSIS DECAL	
8	YFUSE6	1	5A FUSE	

Table 94: LM1-840-04 YFUSEBOX2 FUSES STANDARD ACCESSORIES – 2 WAY - BOM

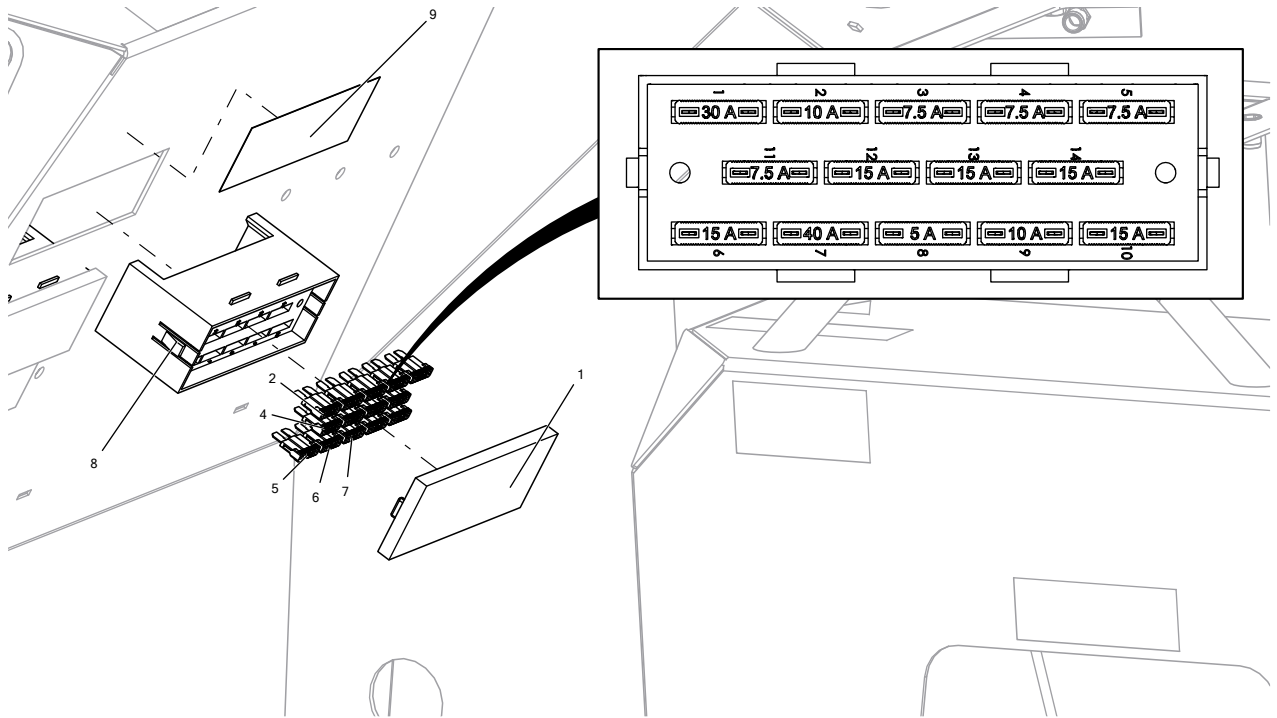


Figure 169: LM1-840-05 YFUSEBOX2 FUSES STANDARD ACCESSORIES – 4 WAY

ITEM	PART NUMBER	QTY	DESCRIPTION	NOTES
1	YFUSEBOX2-LID	1	FUSEBOX LID	
2	YFUSE5	1	30A FUSE	
3	YFUSE3	2	10A FUSE	
4	YFUSE4	4	7.5A FUSE	
5	YFUSE2	5	15A FUSE	
6	YFUSE10	1	40A FUSE	
7	YFUSE6	1	5A FUSE	
8	YFUSEBOX2-HOUSING	1	FUSEBOX HOUSING	
9	LM1-901-73	1	REAR LIGHTS FUSE BOX DECAL	

Table 95: LM1-840-05 YFUSEBOX2 FUSES STANDARD ACCESSORIES – 4 WAY - BOM

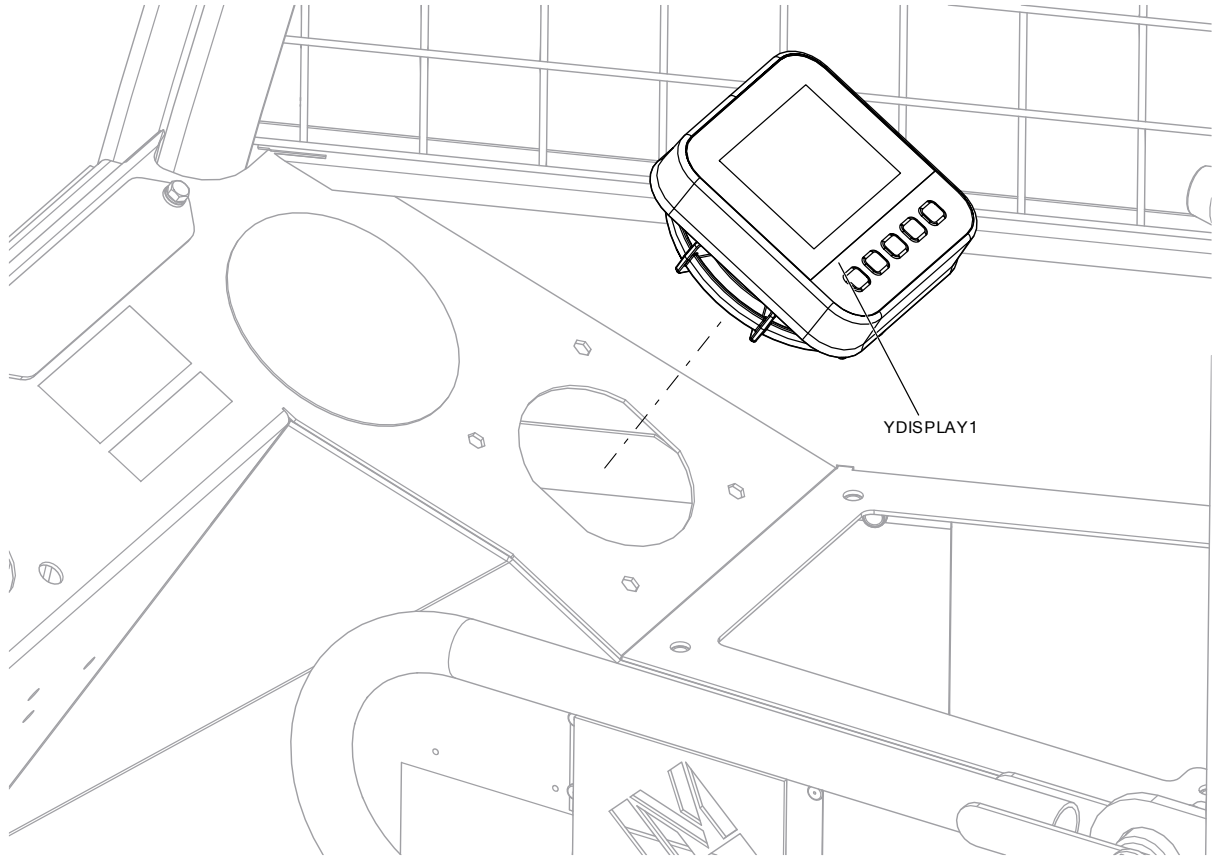


Figure 170: YDISPLAY1 DISPLAY SCREEN

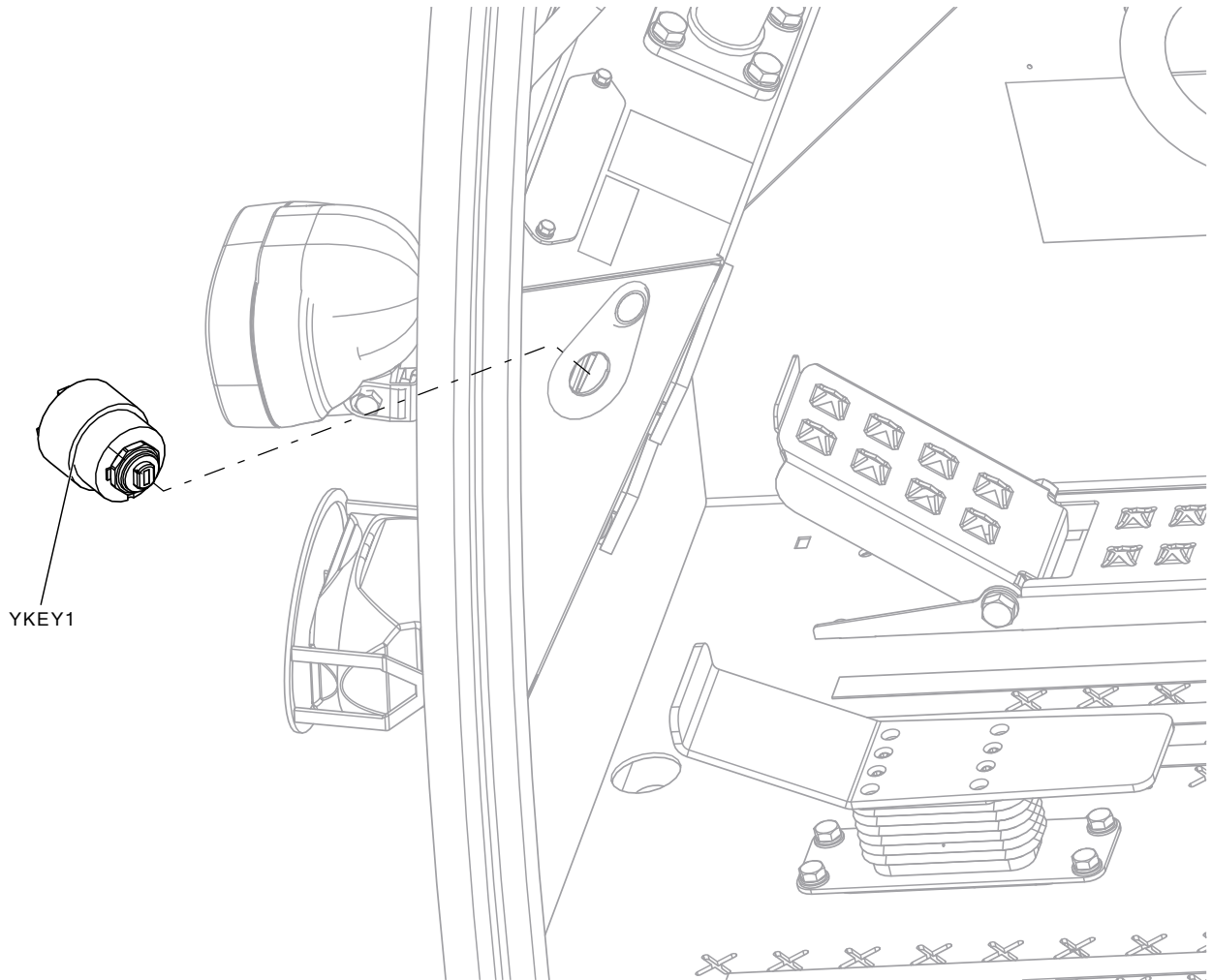


Figure 171: YKEY1 IGNITION KEY SWITCH

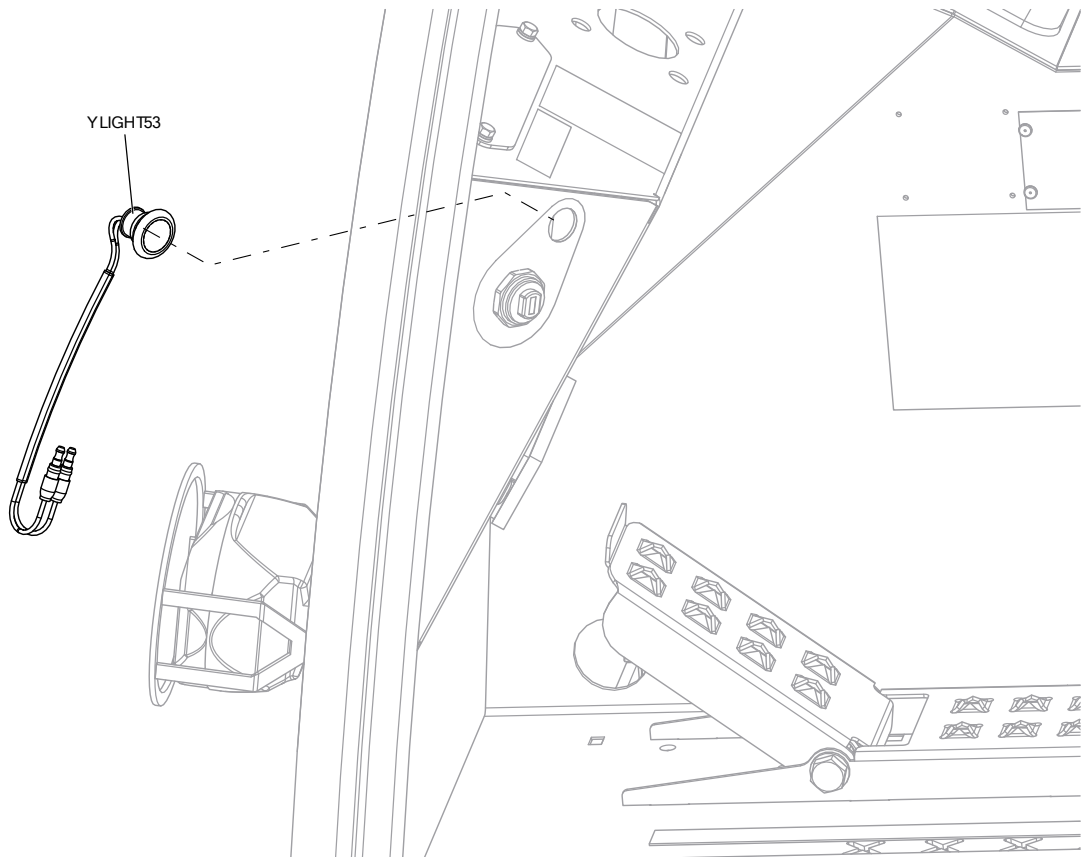


Figure 172: YLIGHT53 GLOW PLUG LIGHT

## CHAPTER 5.8: SWITCH PANEL ARRANGEMENT FOR 2 WAY AND 4 WAY

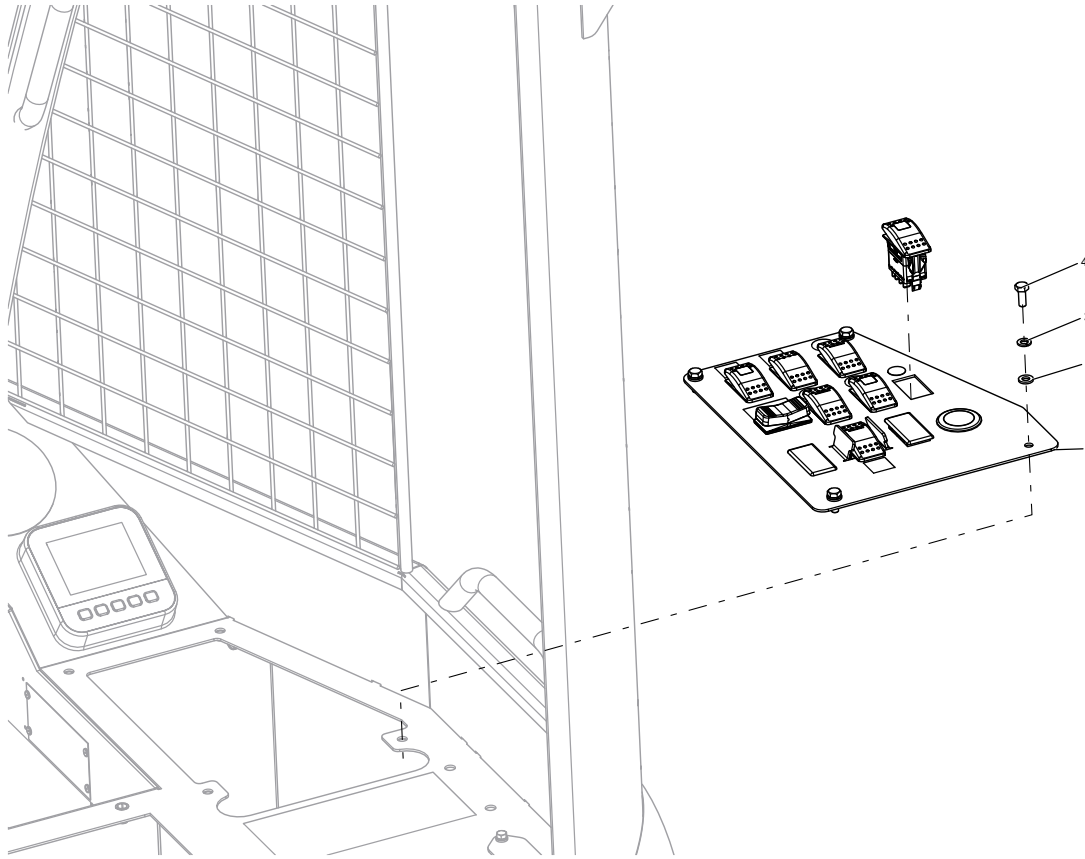


Figure 173: LM1-500-16 MAIN SWITCH PANEL GENERIC

ITEM	PART NUMBER	QTY	DESCRIPTION	NOTES
1	LM1-500-16	1	SWITCH PANEL PLATE	
2	XW06AZ	4	M6 FORM A WASHER	
3	XW06SZ	4	M6 SPRING WASHER	
4	XS06016Z	4	M6 X 16 HEX HEAD SCREW 8.8	

Table 96: LM1-500-16 MAIN SWITCH PANEL GENERIC – BOM



## USA/CAN 2-WAY

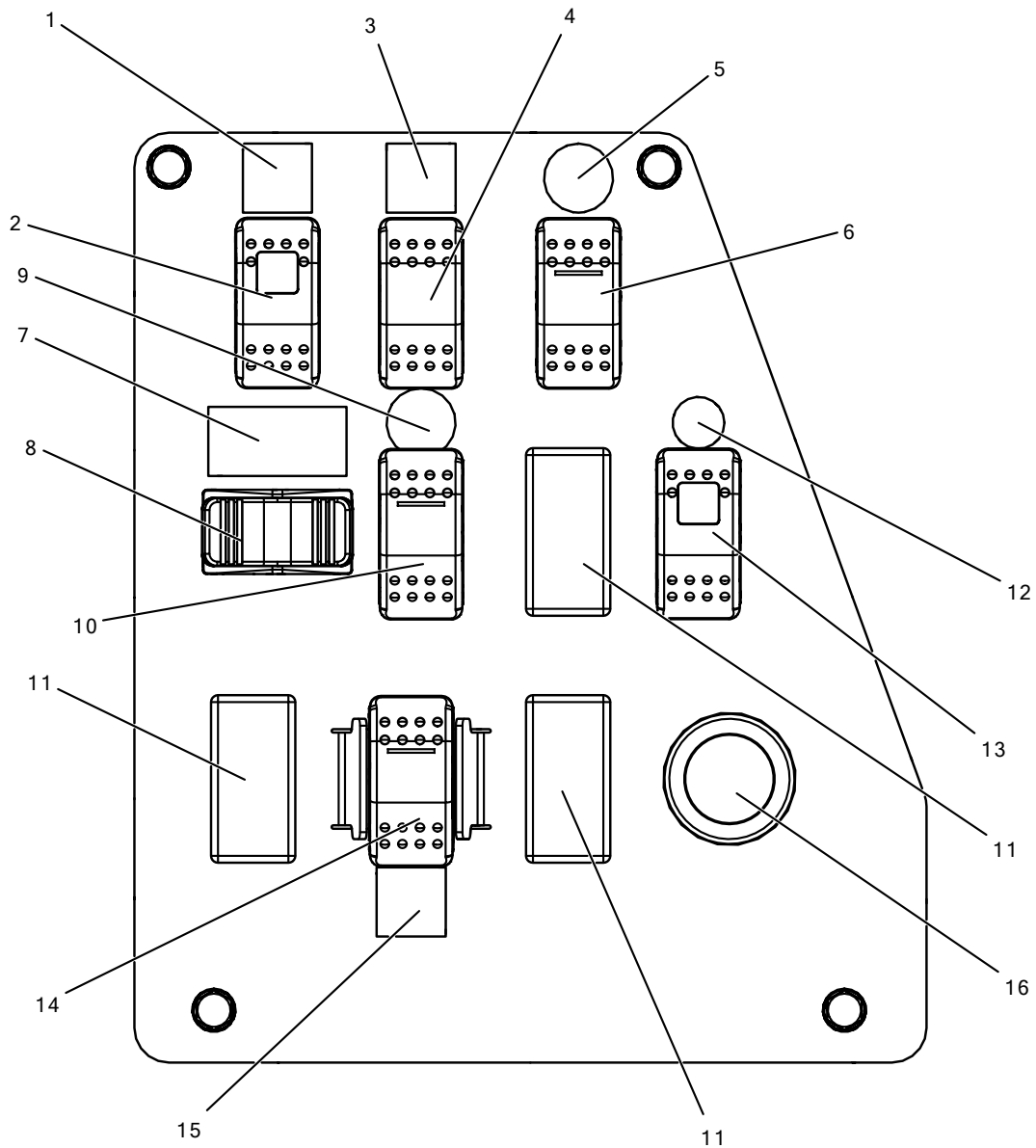


Figure 174: LM1-516-30 MAIN SWITCH PANEL USA-CAN 2-WAY

ITEM	PART NUMBER	QTY	DESCRIPTION	NOTES
1	LM1-901-10	1	DIFF LOCK DECAL	
2	YSWITCH49	1	DIFF LOCK SWITCH	
3	LM1-901-19	1	HORN DECAL	
4	YSWITCH48	1	HORN SWITCH	
5	LM1-901-40	1	UPPER WORKLIGHTS DECAL	
6	YSWITCH47	1	UPPER WORKLIGHTS SWITCH	
7	LM1-901-24	1	INDICATOR DECAL	
8	YSWITCH63	1	INDICATOR SWITCH	
9	LM1-901-17	1	FRONT WORKLIGHT / HEADLIGHTS DECAL	
10	YSWITCH47	1	FRONT WORKLIGHT / HEADLIGHTS SWITCH	
11	YSWITCH50	3	SWITCH BLANK	
12	LM2-901-01	1	REVERSE BUZZER MUTE DECAL	
13	YSWITCH49	1	REVERSE BUZZER MUTE SWITCH	
14	YSWITCH47	1	PARK BRAKE SWITCH	
15	LM1-901-31	1	PARK BRAKE DECAL	
16	YGR231.8	1	GROMMET 31.8MM	

Table 97: LM1-516-30 MAIN SWITCH PANEL USA-CAN 2-WAY

## USA/CAN 4-WAY

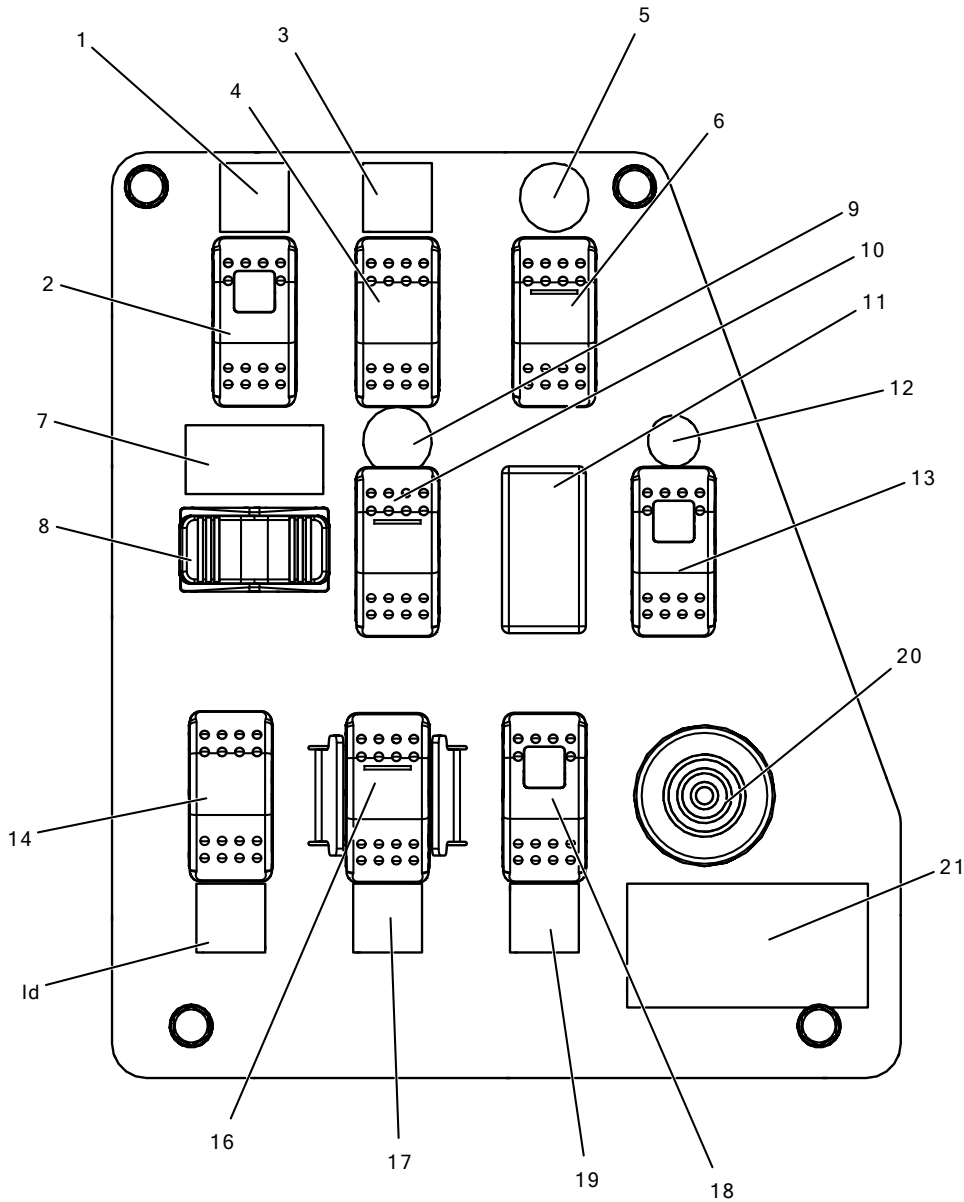


Figure 175: LM1-516-40 MAIN SWITCH PANEL USA-CAN 4-WAY

ITEM	PART NUMBER	QTY	DESCRIPTION	NOTES
1	LM1-901-10	1	DIFF LOCK DECAL	
2	YSWITCH49	1	DIFF LOCK SWITCH	
3	LM1-901-19	1	HORN DECAL	
4	YSWITCH48	1	HORN SWITCH	
5	LM1-901-40	1	UPPER WORKLIGHTS DECAL	
6	YSWITCH47	1	UPPER WORKLIGHTS SWITCH	
7	LM1-901-24	1	INDICATOR DECAL	
8	YSWITCH63	1	INDICATOR SWITCH	
9	LM1-901-17	1	FRONT WORKLIGHT / HEADLIGHT DECAL	
10	YSWITCH47	1	FRONT WORKLIGHT / HEADLIGHT SWITCH	
11	YSWITCH50	1	SWITCH BLANK	
12	LM2-901-01	1	REVERSE BUZZER MUTE DECAL	
13	YSWITCH49	1	REVERSE BUZZER MUTE SWITCH	
14	YSWITCH51	1	4-WAY AUTO SWITCH	
15	LM1-901-01	1	4-WAY AUTO DECAL	
16	YSWITCH47	1	PARK BRAKE SWITCH	
17	LM1-901-31	1	PARK BRAKE DECAL	
18	YSWITCH49	1	4-WAY ON SWITCH	
19	LM1-901-02	1	4-WAY ON DECAL	
20	YBEACON10	1	AMBER WARNING LIGHT AND BUZZER	
21	LM1-901-51	1	MULTI-DIRECTION WARNING BUZZER DECAL	

Figure 176: LM1-516-40 MAIN SWITCH PANEL USA-CAN 4-WAY - BOM

## AUSTRALIA 2-WAY

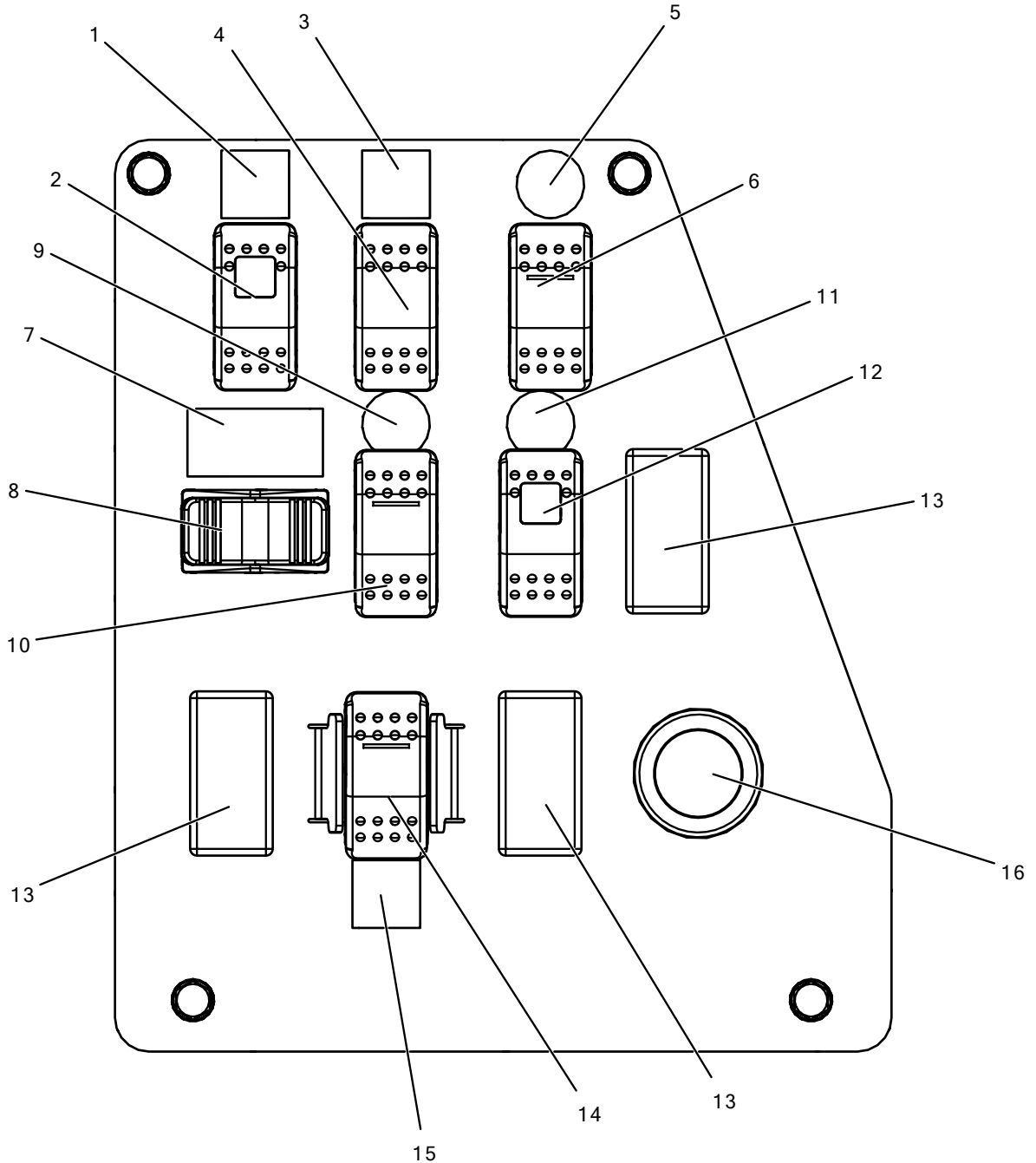


Figure 177: LM1-516-50 MAIN SWITCH PANEL AUS 2-WAY

ITEM	PART NUMBER	QTY	DESCRIPTION	NOTES
1	LM1-901-10	1	DIFF LOCK DECAL	
2	YSWITCH49	1	DIFF LOCK SWITCH	
3	LM1-901-19	1	HORN DECAL	
4	YSWITCH48	1	HORN SWITCH	
5	LM1-901-40	1	UPPER WORKLIGHTS DECAL	
6	YSWITCH47	1	UPPER WORKLIGHTS SWITCH	
7	LM1-901-24	1	INDICATOR DECAL	
8	YSWITCH53	1	INDICATOR SWITCH	
9	LM1-901-17	1	FRONT WORKLIGHT / HEADLIGHTS DECAL	
10	YSWITCH47	1	FRONT WORKLIGHT / HEADLIGHTS SWITCH	
11	LM1-901-16	1	FOG LIGHTS DECAL	
12	YSWITCH49	1	FOG LIGHTS SWITCH	
13	YSWITCH50	3	SWITCH BLANK	
14	YSWITCH47	1	PARK BRAKE SWITCH	
15	LM1-901-31	1	PARK BRAKE DECAL	
16	YGR231.8	1	GROMMET 31.8MM	

Table 98: LM1-516-50 MAIN SWITCH PANEL AUS 2-WAY - BOM

# AUSTRALIA 4-WAY

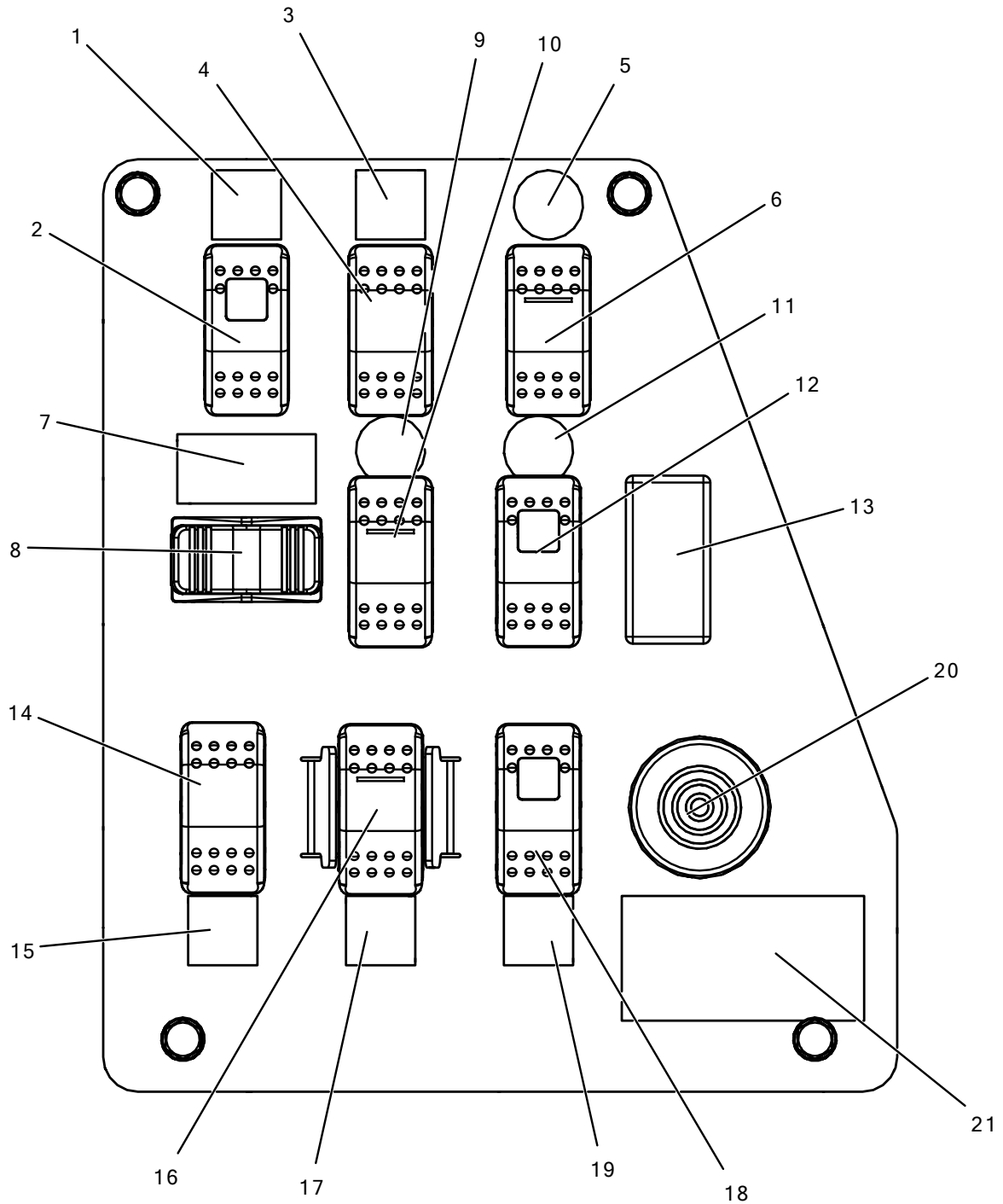


Figure 178: LM1-516-60 MAIN SWITCH PANEL AUS 4-WAY

ITEM	PART NUMBER	QTY	DESCRIPTION	NOTES
1	LM1-901-10	1	DIFF LOCK DECAL	
2	YSWITCH49	1	DIFF LOCK SWITCH	
3	LM1-901-19	1	HORN DECAL	
4	YSWITCH48	1	HORN SWITCH	
5	LM1-901-40	1	UPPER WORKLIGHTS DECAL	
6	YSWITCH47	1	UPPER WORKLIGHTS SWITCH	
7	LM1-901-24	1	INDICATOR DECAL	
8	YSWITCH53	1	INDICATOR SWITCH	
9	LM1-901-17	1	FRONT WORKLIGHT / HEADLIGHTS DECAL	
10	YSWITCH47	1	FRONT WORKLIGHT / HEADLIGHTS SWITCH	
11	LM1-901-16	1	FOG LIGHTS DECAL	
12	YSWITCH49	1	FOG LIGHTS SWITCH	
13	YSWITCH50	1	SWITCH BLANK	
14	YSWITCH51	1	4-WAY AUTO SWITCH	
15	LM1-901-01	1	4-WAY AUTO DECAL	
16	YSWITCH47	1	PARK BRAKE SWITCH	
17	LM1-901-31	1	PARK BRAKE DECAL	
18	YSWITCH49	1	4-WAY ON SWITCH	
19	LM1-901-02	1	4-WAY ON DECAL	
20	YBEACON10	1	AMBER WARNING LIGHT AND BUZZER	
21	LM1-901-51	1	MULTI-DIRECTION WARNING BUZZER DECAL	

Table 99: LM1-516-60 MAIN SWITCH PANEL AUS 4-WAY - BOM



## UK 2-WAY

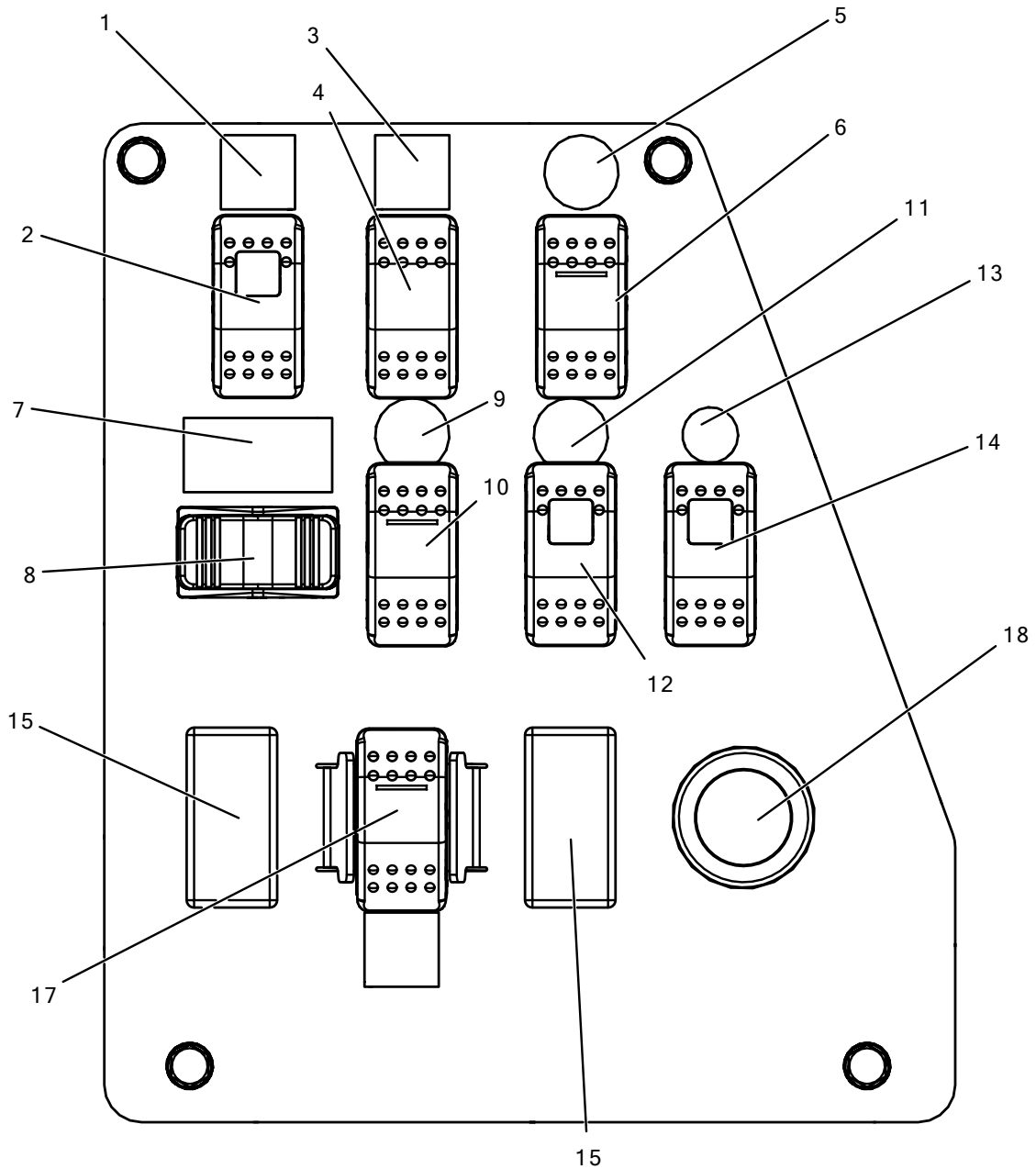


Figure 179: LM1-516-60 MAIN SWITCH PANEL AUS 4-WAY

ITEM	PART NUMBER	QTY	DESCRIPTION	NOTE
1	LM1-901-10	1	DIFF LOCK DECAL	
2	YSWITCH49	1	DIFF LOCK SWITCH	
3	LM1-901-19	1	HORN DECAL	
4	YSWITCH48	1	HORN SWITCH	
5	LM1-901-40	1	UPPER WORKLIGHTS DECAL	
6	YSWITCH47	1	UPPER WORKLIGHTS SWITCH	
7	LM1-901-24	1	INDICATOR DECAL	
8	YSWITCH53	1	INDICATOR SWITCH	
9	LM1-901-17	1	FRONT WORKLIGHT/ HEADLIGHTS DECAL	
10	YSWITCH47	1	FRONT WORKLIGHT/ HEADLIGHTS SWITCH	
11	LM1-901-16	1	FOG LIGHTS DECAL	
12	YSWITCH49	1	FOG LIGHTS SWITCH	
13	LM2-901-01	1	REVERSE BUZZER MUTE DECAL	
14	YSWITCH49	1	REVERSE BUZZER MUTE SWITCH	
15	YSWITCH50	2	SWITCH BLANK	
16	LM1-901-31	1	PARK BRAKE DECAL	
17	YSWITCH47	1	PARK BRAKE SWITCH	
18	YGR231.8	1	GROMMET 31.8MM	

Table 100: LM1-516-60 MAIN SWITCH PANEL AUS 4-WAY - BOM

# UK 4-WAY

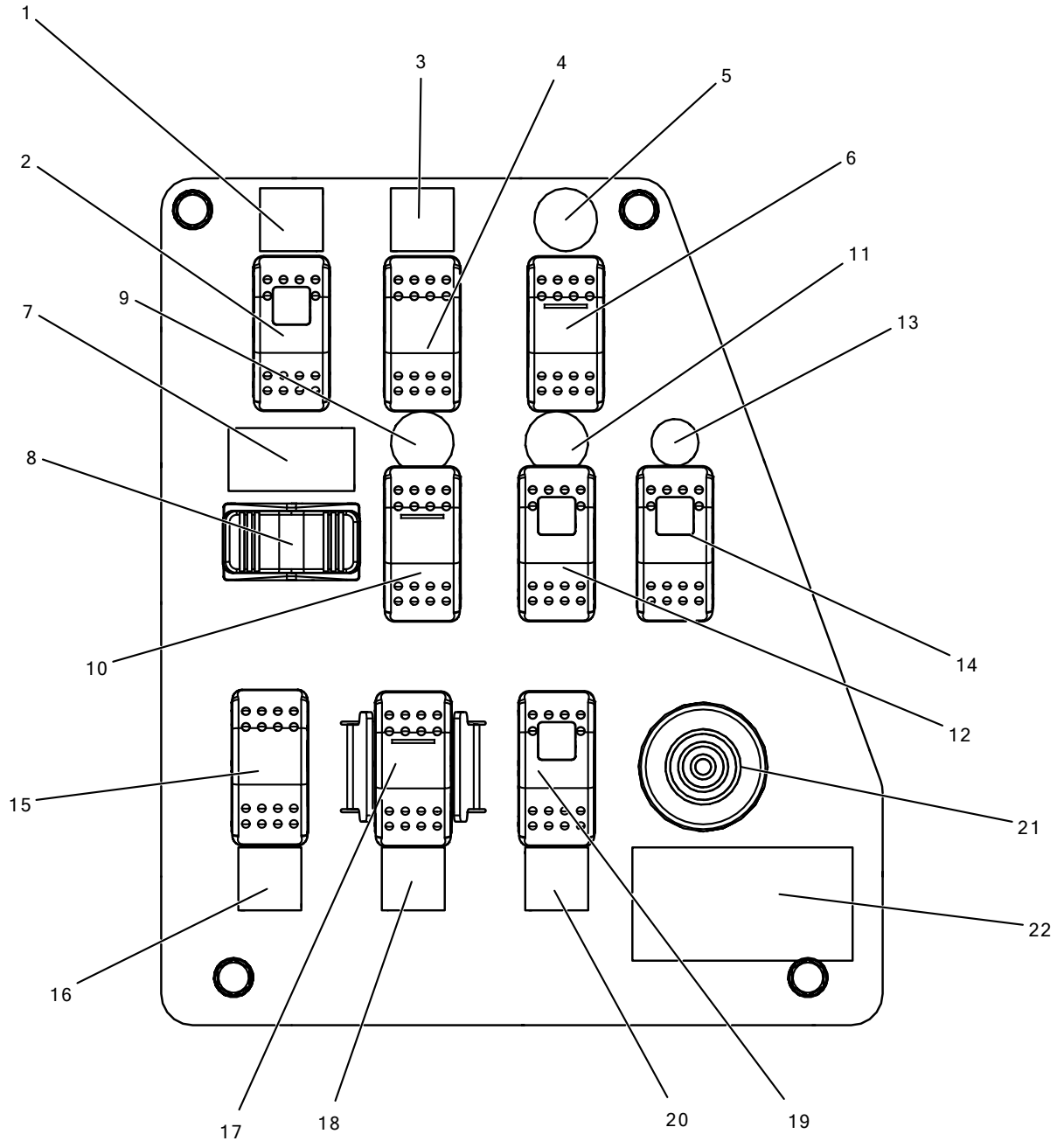


Figure 180: LM1-516-20 MAIN SWITCH PANEL UK 4-WAY

ITEM	PART NUMBER	QTY	DESCRIPTION	NOTES
1	LM1-901-10	1	DIFF LOCK DECAL	
2	YSWITCH49	1	DIFF LOCK SWITCH	
3	LM1-901-19	1	HORN DECAL	
4	YSWITCH48	1	HORN SWITCH	
5	LM1-901-40	1	UPPER WORKLIGHTS DECAL	
6	YSWITCH47	1	UPPER WORKLIGHTS SWITCH	
7	LM1-901-24	1	INDICATOR DECAL	
8	YSWITCH53	1	INDICATOR SWITCH	
9	LM1-901-17	1	FRONT WORKLIGHT/HEADLIGHTS DECAL	
10	YSWITCH47	1	FRONT WORKLIGHT/HEADLIGHTS SEITCH	
11	LM1-901-16	1	FOG LIGHTS DECAL	
12	YSWITCH49	1	FOG LIGHTS SWITCH	
13	LM2-901-01	1	REVERSE BUZZER MUTE DECAL	
14	YSWITCH49	1	REVERSE BUZZER MUTE SWITCH	
15	YSWITCH51	1	4-WAY AUTO SWITCH	
16	LM1-901-01	1	4-WAY AUTO DECAL	
17	YSWITCH47	1	PARK BRAKE SWITCH	
18	LM1-901-31	1	PARK BRAKE DECAL	
19	YSWITCH49	1	4-WAY ON SWITCH	
20	LM1-901-02	1	4-WAY ON DECAL	
21	YBEACON10	1	AMBER WARNING LIGHT AND BUZZER	
22	LM1-901-51	1	MULTI-DIRECTION WARNING BUZZER DECAL	

Table 101: LM1-516-20 MAIN SWITCH PANEL UK 4-WAY - BOM

## CHAPTER5.9: LEVER BANKS

# JIC LEVER BANK

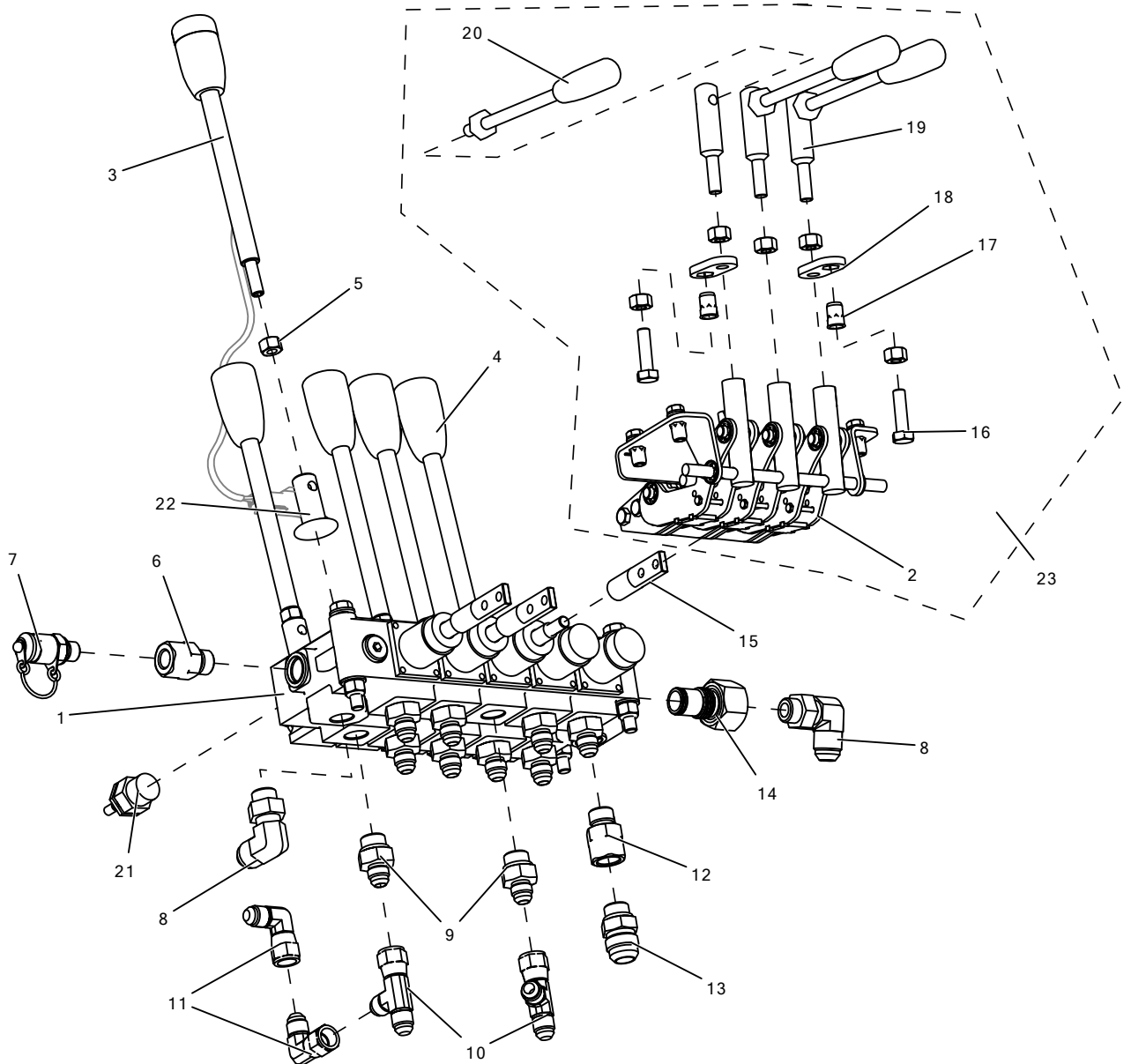


Figure 181: LM1-730-02 JIC LEVER CONTROL STANDARD

ITEM	PART NUMBER	QTY	DESCRIPTION	NOTES
1	YLEVER1	1	5 WAY LEVER BANK	
2	LM1-501-90	1	REAR LEVER ASM COMPLETE	
3	YLEVER5	1	193MM LEVER WITH INTEGRATED MICRO-SWITCH	
4	YLEVER4	4	VALVE BANK LEVER	
5	XN08Z	10	M8 HEX NUT	
6	YHR3.8-1.4	1	3/8" BSP (M) TO 1/4" BSP (F) REDUCER (22)	
7	YHTP1.4	1	1/4" BSP (M) PRESSURE TEST POINT C/W INTEGRAL SEAT & KNURLED CAP	
8	YHA3.8-3.4JEA	2	ADJUSTABLE LOCKNUT ELBOW M 3/8"BSP TO M 3/4"JIC (J8)	
9	YHA3.8-9.16J	10	3/8"BSP-9/16"JIC ADAPTOR (J4) WITH INTEGRATED SEAL	
10	YHT9-16JMF	2	9/16"JIC MFM BRANCH TEE (J16)	
11	YHA9.16JMFE	2	9/16"JIC MF ELBOW (J18)	
12	YHA3.8-3.8MF	1	3/8"BSP M TO 3/8"BSP F SOLID ADAPTOR (23)	
13	YHA3.8-7.8J	1	3/8"BSP - 7/8"JIC ADAPTOR (C/W SEAL) (J9)	
14	YHR1.2-3.8LPS	1	YLEVER PORT SPLITTING REDUCER 1/2"BSP TO 3/8"BSP M/F (37)	
15	LM1-501-50	3	SPOOL CONNECTOR	
16	XS08030Z	2	M8 X 30 HEX HEAD SCREW 8.8	
17	XNS08H	2	M8 HEX NUTSERT	
18	LM1-501-84	2	LEVER MOVEMENT RESTRICTOR	
19	LM1-501-85	3	REMOTE LEVER EXTENSION	
20	YLEVER6	3	LEVER 164MM LONG	
21	YVALVE20	1	LEVER BANK RELIEF VALVE	
22	YLEVERPIVOT1	5	LEVER PIVOT	
23	LM8REARLEVERKIT	1	SPARE REAR LEVER ARM ASSEMBLY	

Table 102: LM1-730-02 JIC LEVER CONTROL STANDARD – BOM

# METRIC LEVER BANK

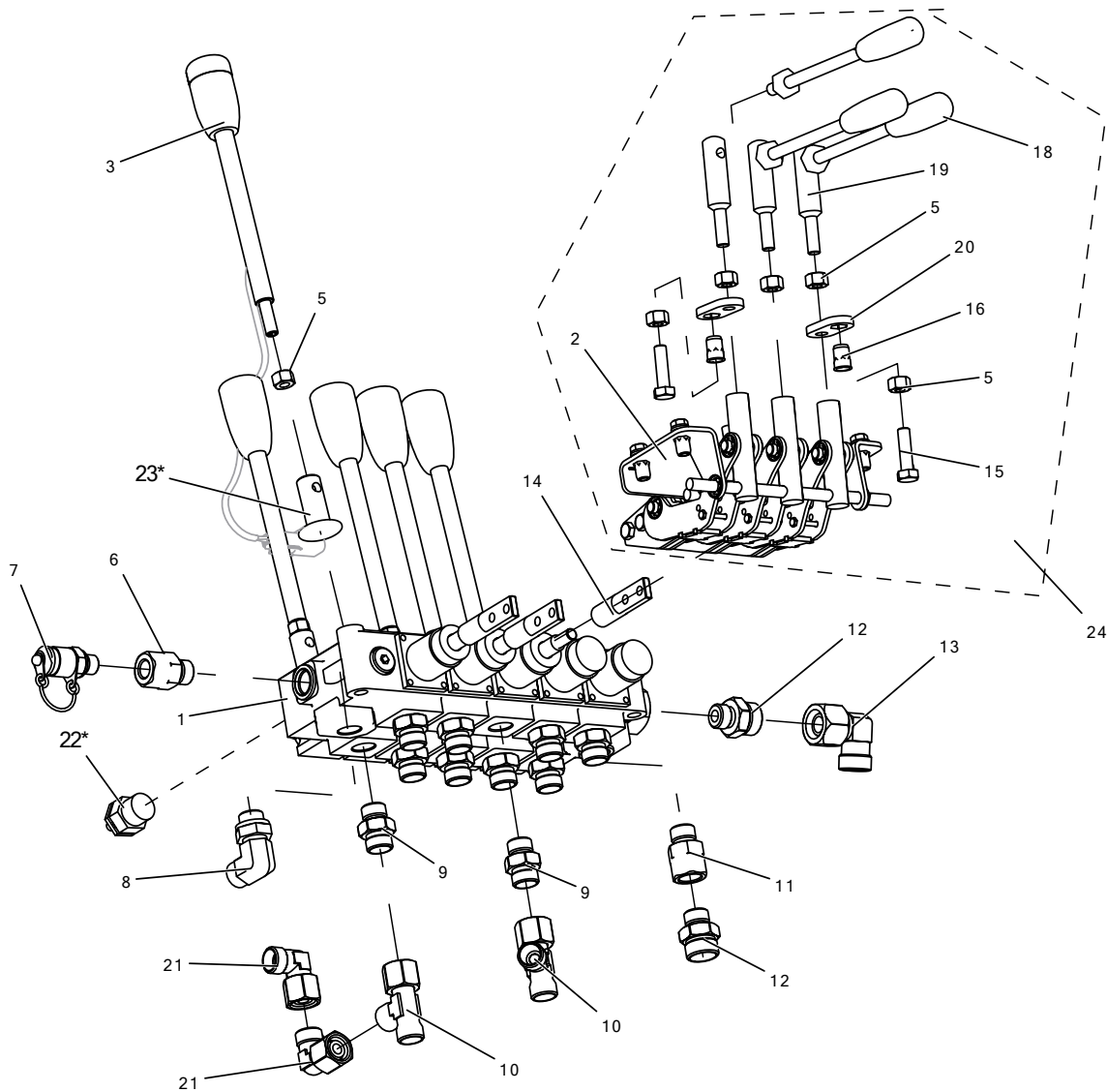


Figure 182: LM1-730-01 METRIC LEVER CONTROL STANDARD



ITEM	PART NUMBER	QTY	DESCRIPTION	NOTES
1	YLEVER1	1	5 WAY LEVER BAN	
2	LM1-501-91	1	ON-GROUND CONTROLS MECHANISM	
3	YLEVER5	1	193MM LEVER WITH INTEGRATED MICRO-SWITCH	
4	YLEVER4	4	VALVE BANK LEVER	
5	XN08Z	10	M8 HEX NUT	
6	YHR3.8-1.4	1	3/8"BSP (M) TO 1/4"BSP (F) REDUCER (22)	
7	YHTP1.4	1	1/4" BSP M PRESSURE TEST POINT C/WINTEGRAL SEAL & KNURLED CAP	
8	YHA3.8-12LEA	1	ADJUSTABLE LOCKNUT ELBOW M 3/8" BSP	
9	YHA3.8-12L	10	3/8"BSP TO 12L ADAPTO	
10	YHT12LMFM	2	12L M/F/M TEE PIECE (27)	
11	YHA3.8-3.8MF	1	3/8"BSP M TO 3/8"BSP F SOLID ADAPTOR (23)	
12	YHA3.8-15L	2	3/8"BSP TO 15L ADAPTOR (19)	
13	YHA15LMFE	1	15L M/F ELBOW (39)	
14	LM1-501-50	3	SPOOL CONECTOR	
15	XS08030Z	2	M8 X 30 HEX HEAD SCREW 8.8	
16	XNS08H	2	M8 HEX NUTSERT	
18	YLEVER6	3	LEVER 164MM LONG	
19	LM1-501-85	3	REMOTE LEVER EXTENSION	
20	LM1-501-84	2	LEVER MOVEMENT RESTRICTO	
21	YHA12LMFE	2	12L M/F ELBOW (26)	
22*	YVALVE20	1	PRESSURE RELIEF VALVE - PART OF YLEVER1 BUT CAN BE SUPPLIED AS SPARE	
23*	YLEVERPIVOT1	5	LEVER PIVOT - PART OF YLEVER1 BUT CAN BE SUPPLIED AS SPARE	
24	LM8REARLEVERKIT	1	SPARE REAR LEVER ARM ASSEMBLY	

Figure 183: LM1-730-01 METRIC LEVER CONTROL STANDARD - BOM

## AUXILIARY/CAM MAST LEVERS

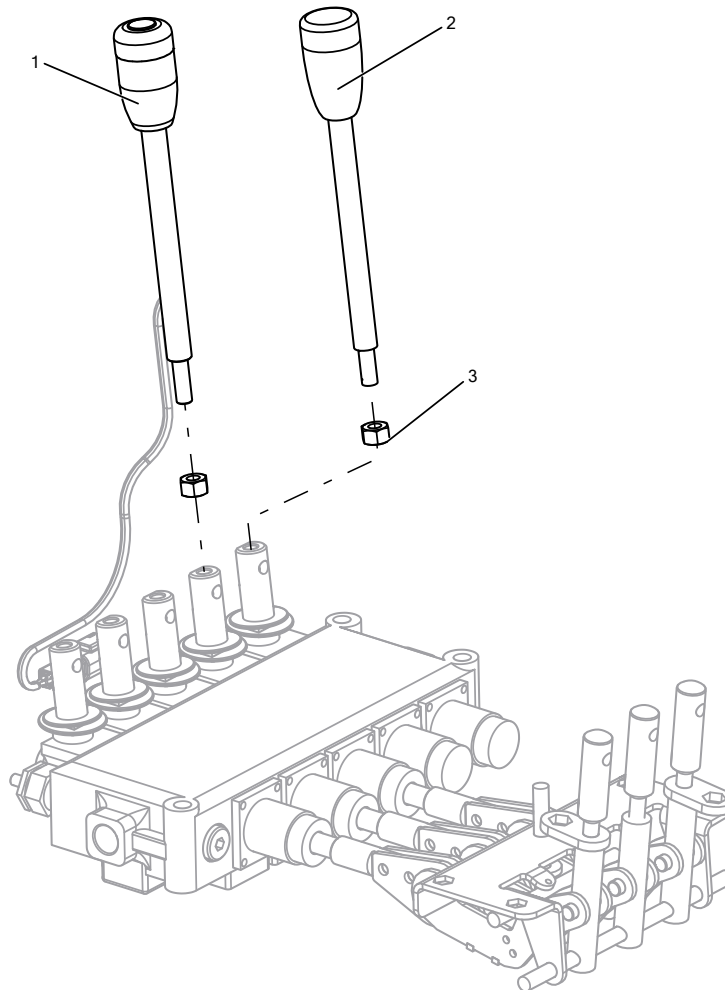


Figure 184: LEVER CONTROL ASM WITH AUXILLIARY LEVER SWITCH (ALL OTHER LEVERS REMAIN UNCHANGED FROM STANDARD ARRANGEMENT)

ITEM	PART NUMBER	QTY	DESCRIPTION	NOTES
1	YLEVER5	1	193MM LEVER WITH INTEGRATED MICRO-SWITCH	
2	YLEVER4	1	VALVE BANK LEVER	
3	XN08Z	2	M8 HEX NUT	

Table 103: LEVER CONTROL ASM WITH AUXILLIARY LEVER SWITCH – BOM

## CHAPTER5.10: COUNTERBALANCE VALVE UNDER CAB

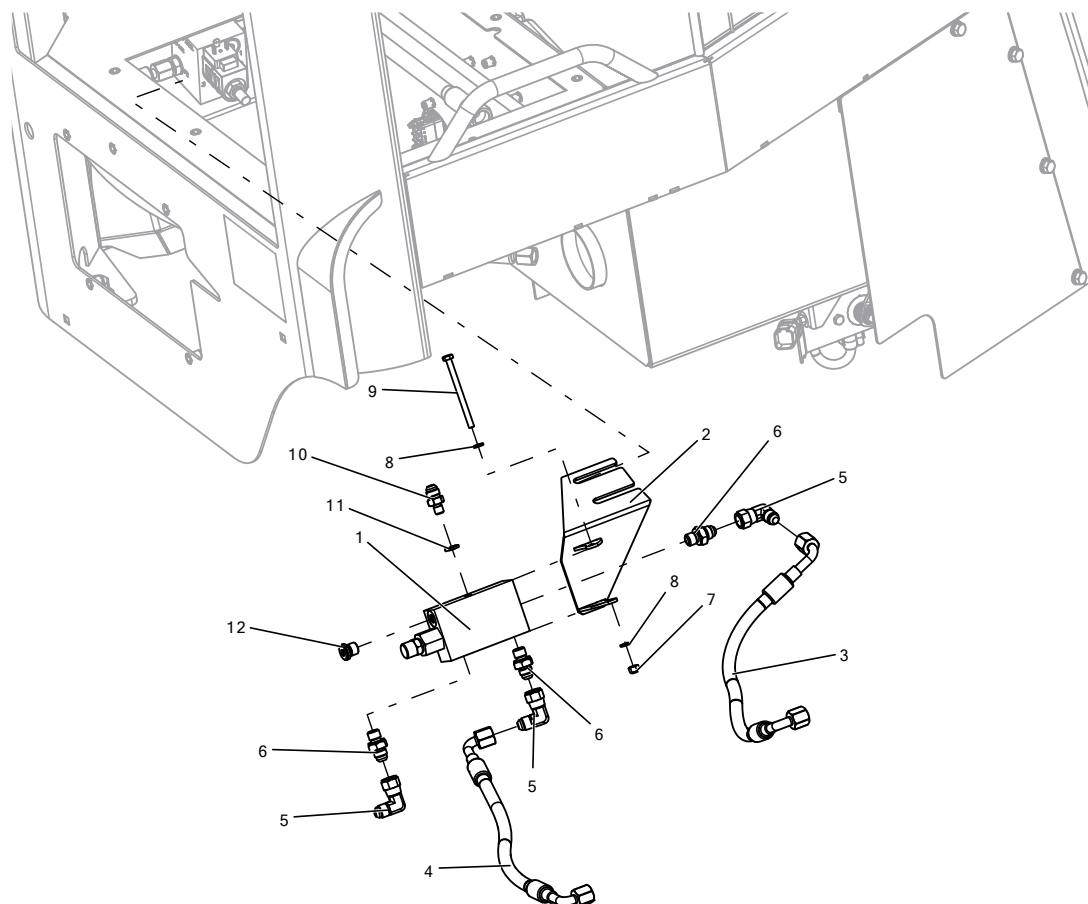


Figure 185: LM1-709-20 ISR DOUBLE COUNTERBALANCE D.C.B) VALVE ASM JIC AND HOSES

ITEM	PART NUMBER	QTY	DESCRIPTION	NOTES
1	YVALVE31	1	COUNTERBALANCE VALVE FOR LM1-210-14	
2	LM1-100-79	1	CB VALVE MOUNT ASSY	
3	LM1-700-J259	1	ISR RELIEF VALVE TO D.C.B. VALVE	
4	LM1-700-J257	1	DIVERTER VALVE TO D.C.B. VALVE	
5	YHA9.16JMFE	3	9/16" JIC MF ELBOW (J18)	
6	YHA1.4-9.16J	3	1/4" BSP-9/16" JIC ADAPTOR WITH INTEGRAL SEAL (J2)	
7	XN06N	1	M6 NYLOC NUT	
8	XW06AZ	2	M6 FORM A WASHER	
9	XS06080Z	1	M6 X 80 HEX HEAD SCREW 8.8	
10	YHA1.8-9.16J	1	1/8" BSP-9/16" JIC ADAPTOR ISS1 (J36)	
11	YHS1/8D	1	1/8" DOWTY SEAL (59)	
12	1-4 BSP Blanking Plug - round	1	1-4 BSP Blanking Plug - round	

Table 104: LM1-709-20 ISR DOUBLE COUNTERBALANCE D.C.B) VALVE ASM JIC AND HOSES - BOM

## CHAPTER5.11: STEERING

Valid for truck 855-713 to date

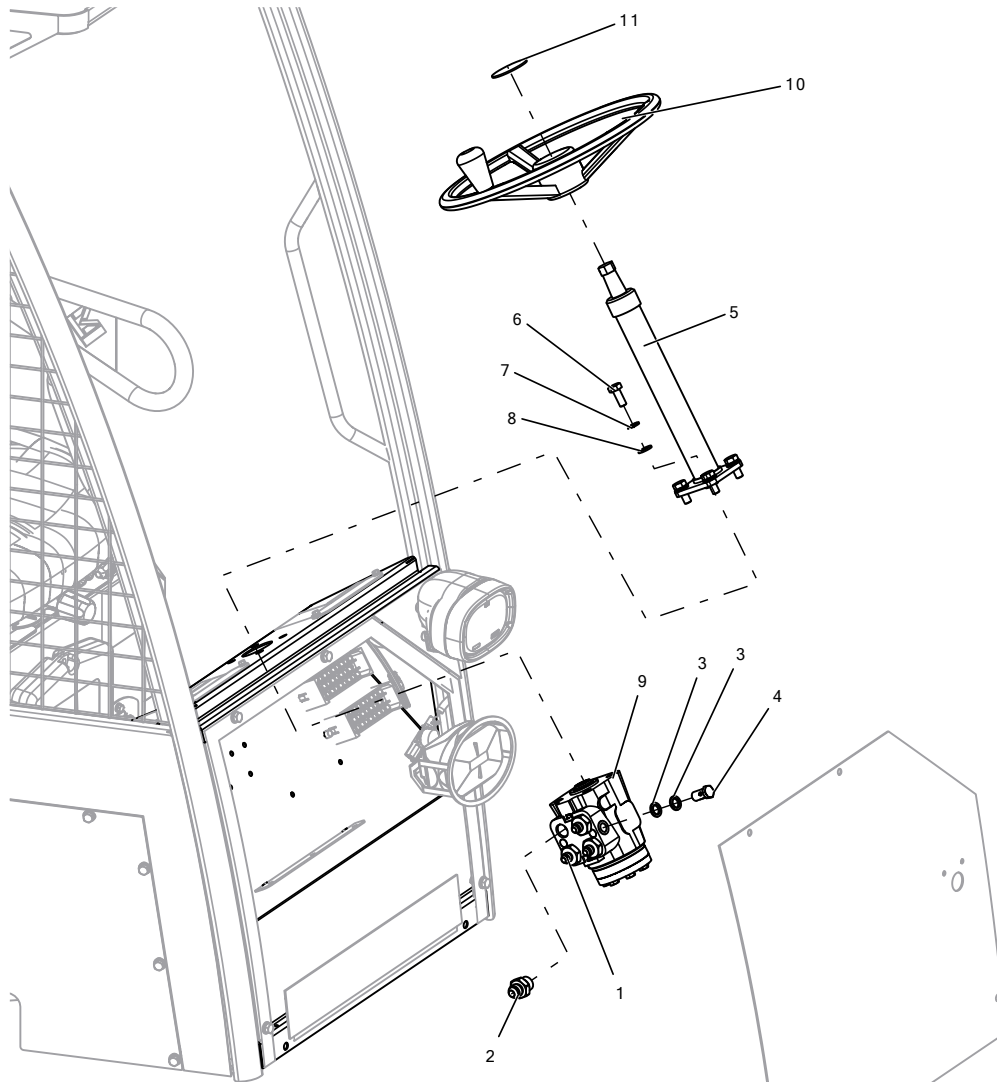


Figure 186: LM1-740-02 JIC STEERING PUMP AND COLUMN ASM

ITEM	PART NUMBER	QTY	DESCRIPTION	METRIC HOSE EQUIVALENTS
1	YHA1.2-9.16J	3	1/2"BSP-9/16"JIC ADAPTOR (J11) FITTED WITH INTEGRAL SEAL	YHA1.2-12L
2	YHA1.2-3.4J	1	1/2"BSP-3/4"JIC ADAPTOR WITH INTEGRAL SEAL (J10)	YHA1.2-15L
3	YHS1/4D	2	1/4"BSP DOWTY SEAL (1)	-
4	YHA1.4BB	1	1/4"BSP BANJO BOLT (14)	-
5	YSTEER1	1	300MM STEERING COLUMN	-
6	XS10025Z	4	M10 X 25 HEX HEAD SCREW 8.8	-
7	XW10SZ	4	M10 SPRING WASHER	-
8	XW10AZ	4	M10 FORM A WASHER	-
9	YSTEERPUMP1	1	STEERING PUMP	-
10	YSTEER2	1	STEERING WHEEL 350MM STEERING KNOB YSTEER2KNOB ALSO SOLD AS SPARE	-
11	LM1-901-38	1	STEERING WHEEL CENTRE LOGO - DECAL	-

Table 105: LM1-740-02 JIC STEERING PUMP AND COLUMN ASM – BOM

LOADMAC, Ashburton Ind Est., Ross-on-Wye, Herefordshire, HR9 7BW  
 ☎ +44 (0)1989 563656 ✉ info@loadmac.co.uk 🌐 www.loadmac.com

## CHAPTER5.12: WORKLIGHTS ON CAB

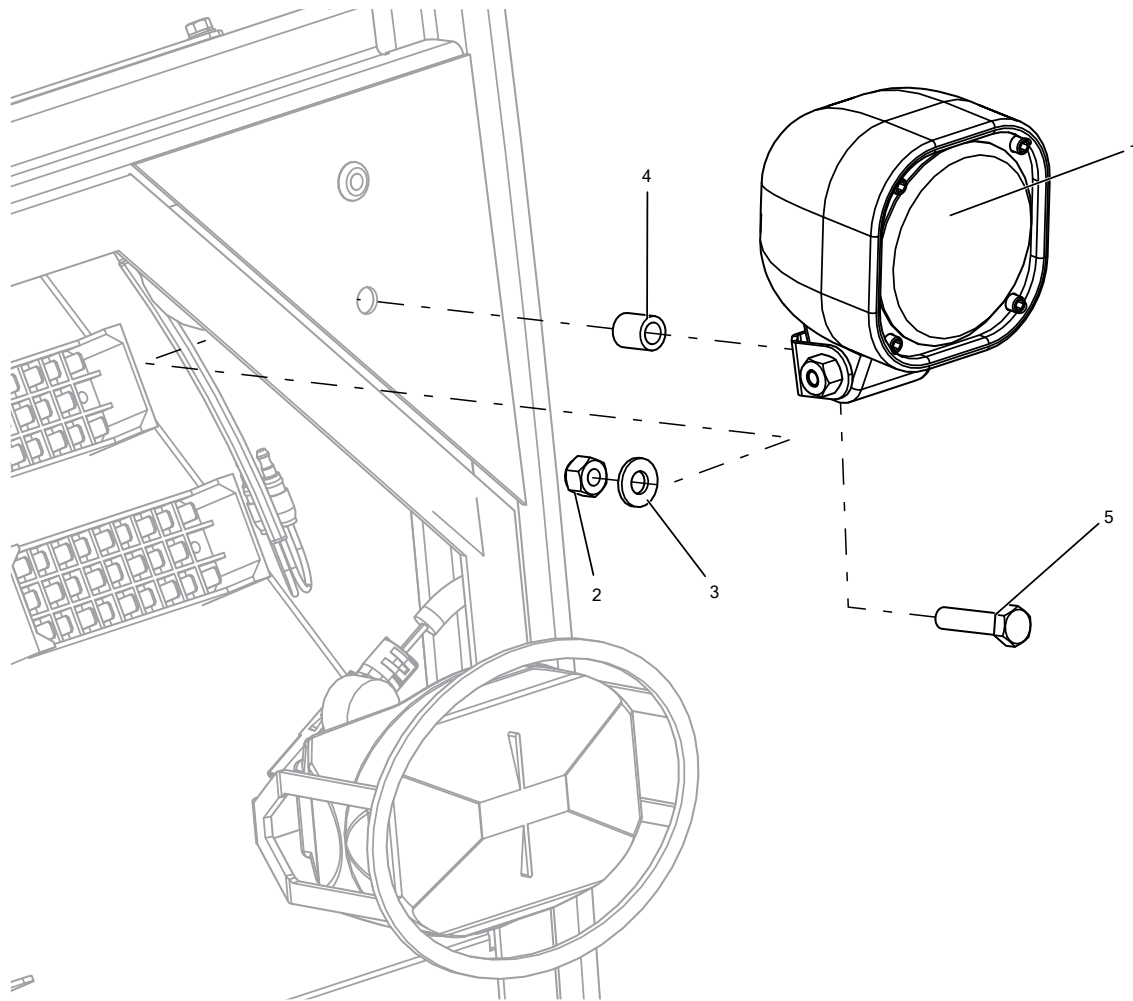


Figure 187: LM1-840-13 CAB WORKLIGHTS LED 4-WAY FRONT

LED LIGHT SHOWN ABOVE. HALOGEN LIGHT ALSO LISTED BELOW.

ITEM	PART NUMBER	QTY	DESCRIPTION	HALOGEN LIGHT EQUIVALENT
1	YLIGHT43	1	LED WORKLIGHT	YLIGHT22
2	XN08N	1	M8 NYLOC NUT	-
3	XW08CZB	1	M8 FORM C WASHER	-
4	LL10026	1	SPACER	-
5	XS08035Z	1	M8 X 35 HEX HEAD SCREW 8.8	-

Table 106: LM1-840-13 CAB WORKLIGHTS LED 4-WAY FRONT - BOM

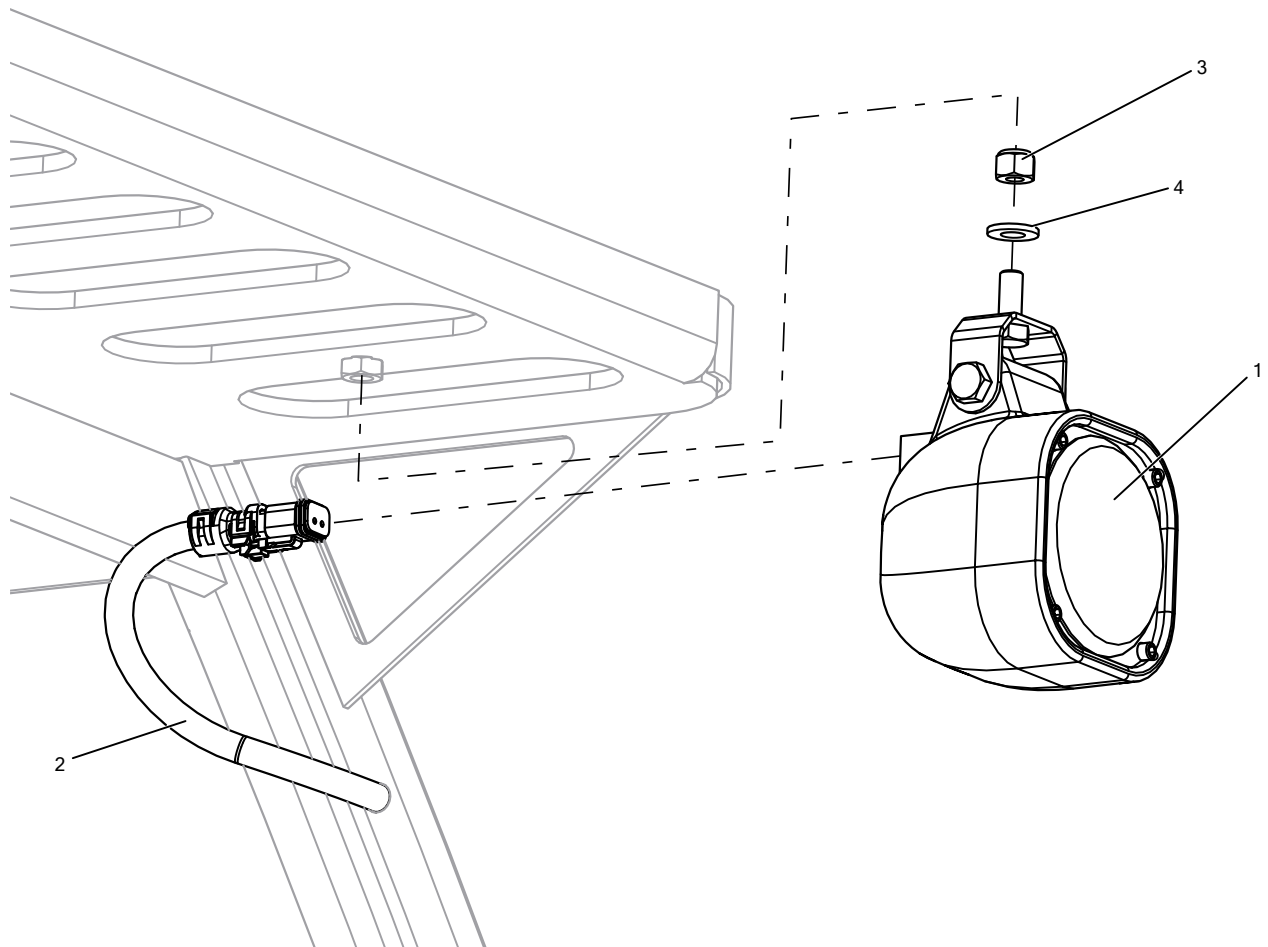


Figure 188: LM1-840-13 CAB WORKLIGHTS LED 4-WAY FRONT ROOF

LED LIGHT SHOWN ABOVE. HALOGEN LIGHT ALSO LISTED BELOW.

ITEM	PART NUMBER	QTY	DESCRIPTION	HALOGEN LIGHT EQUIVALENT
1	YLIGHT43	1	LED WORKLIGHT	YLIGHT22
2	LM1-810-07	1	CAB FRONT WORKLIGHT LOOM	-
3	XN08N	1	M8 NYLOC NUT	-
4	XW08CZB	1	M8 FORM C WASHER BLACK	-

Table 107: LM1-840-13 CAB WORKLIGHTS LED 4-WAY FRONT ROOF – BOM



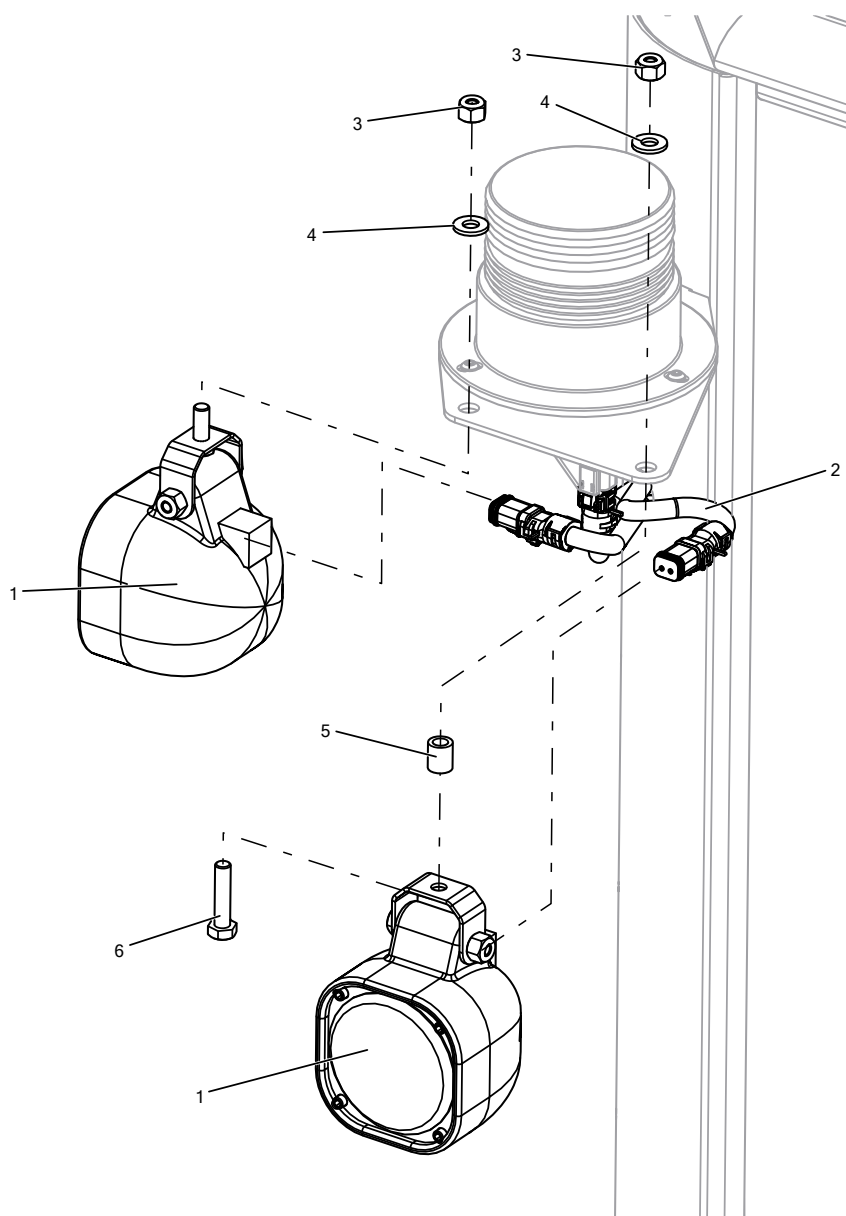


Figure 189: LM1-840-13 CAB WORKLIGHTS LED 4-WAY REAR

LED LIGHT SHOWN ABOVE. HALOGEN LIGHT ALSO LISTED BELOW.

ITEM	PART NUMBER	QTY	DESCRIPTION	HALOGEN LIGHT EQUIVALENT
1	YLIGHT43	2	LED WORKLIGHT	YLIGHT22
2	LM1-810-05	1	REAR CABLE LEG LOOM	-
3	XN08N	2	M8 NYLOC NUT	-
4	XW08CZB	2	M8 FORM C WASHER	-
5	LL10026	1	SPACER	-
6	XS08035Z	1	M8 X 35 HEX HEAD SCREW 8.8	-

Table 108: LM1-840-13 CAB WORKLIGHTS LED 4-WAY REAR - BOM

## CHAPTER5.13: REG NUMBER PLATES

## USA/CAN REG PLATE

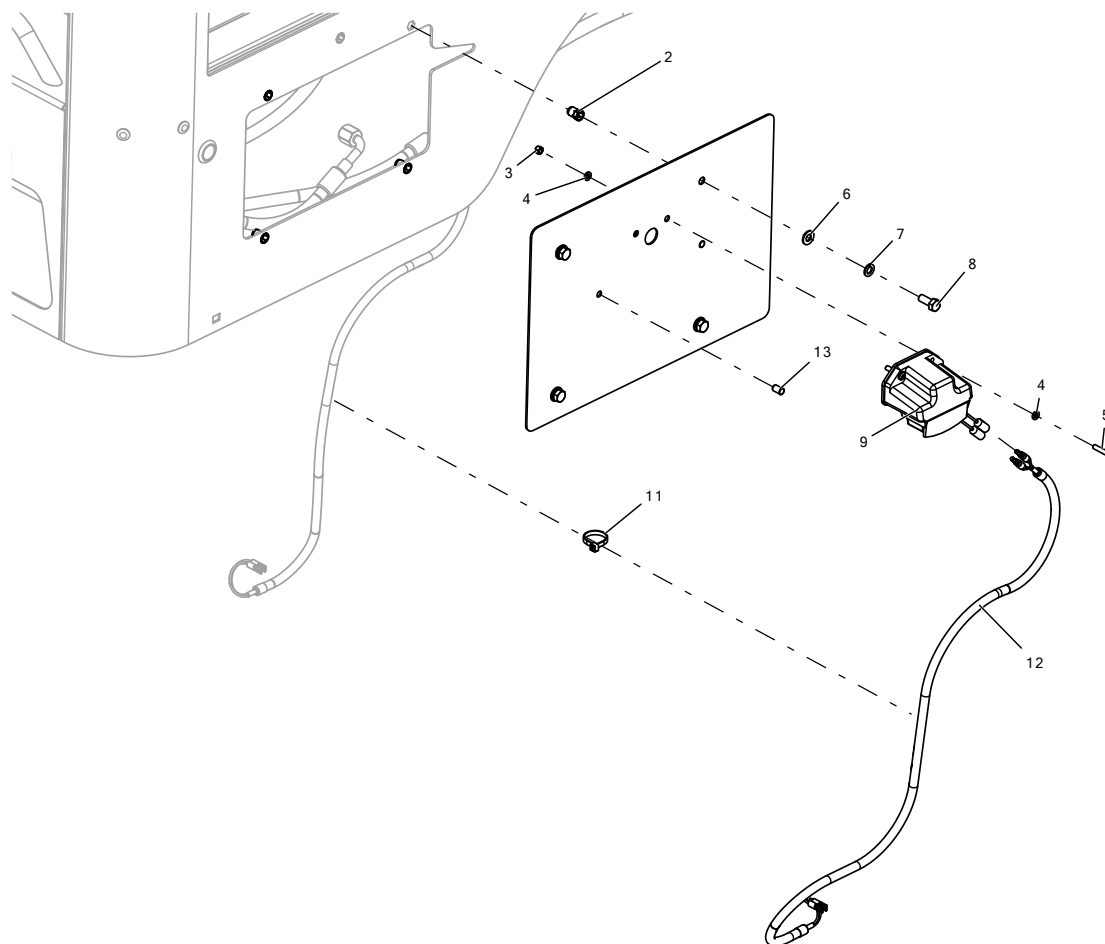


Figure 190: LM1-860-90 USA ILLUMINATED NUMBER PLATE

ITEM	PART NUMBER	QTY	DESCRIPTION	NOTES
1	LM1-501-66	1	REG MOUNT PLATE	
2	XNS08H	4	M8 HEX NUTSERT	
3	XN05N	2	M5 NYLOC NUT	
4	XW05AZ	4	M5 FORM A WASHER	
5	XBUT5025SKTZB	2	M5 X 25 BUTTON HEAD SCREW 8.8	
6	XW08AZ	4	M8 FORM A WASHER	
7	XW08SZ	4	M8 SPRING WASHER	
8	XS08020Z	4	M8 X 20 HEX HEAD SCREW 8.8	
9	YLIGHT41	1	USA LICENSE PLATE LIGHT	
11	CABLE-TIE-5-260	1	CABLE TIE	
12	LM1-816-00	1	NUMBER PLATE LIGHT LOOM	
13	XNS05	2	M5 NUTSERT	

Table 109: LM1-860-90 USA ILLUMINATED NUMBER PLATE - BOM

## AUSTRALIA REG PLATE

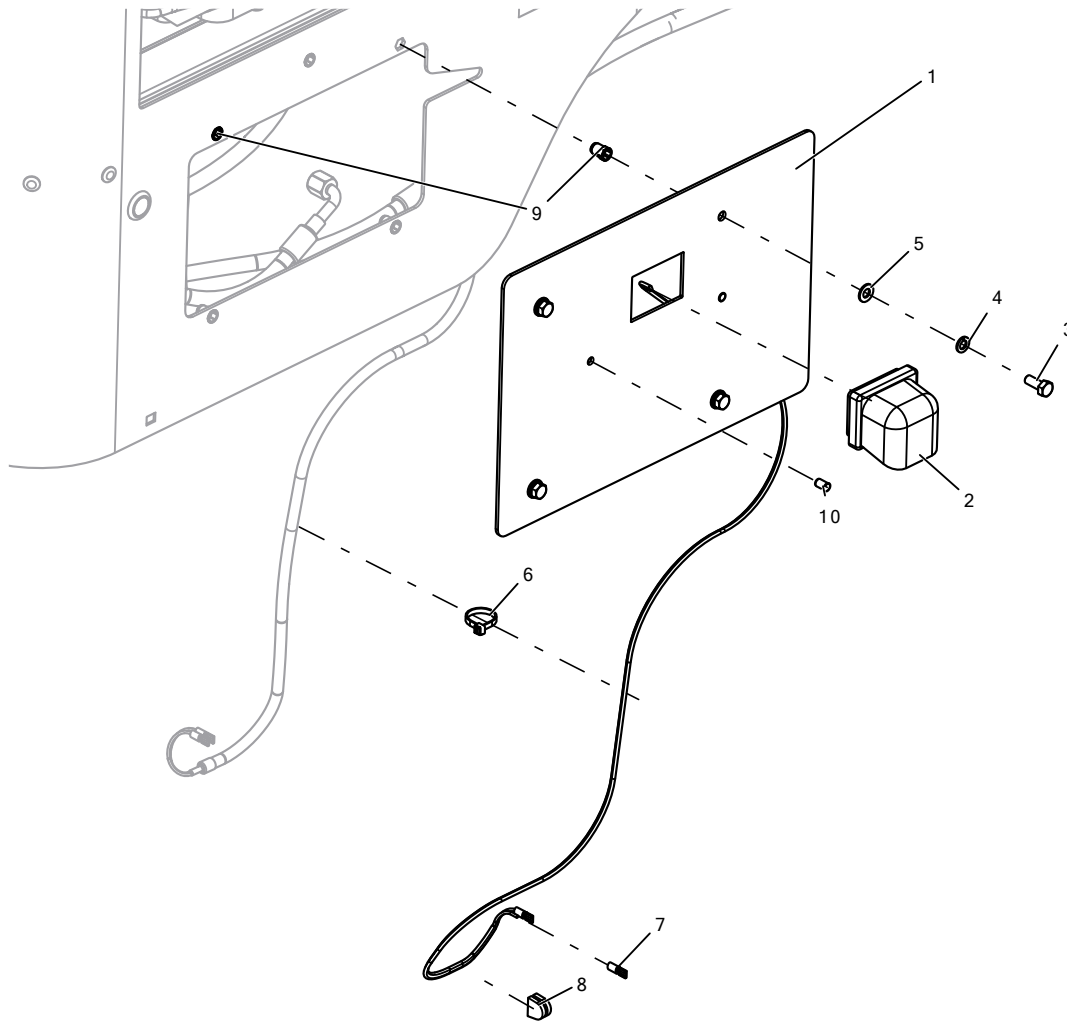


Figure 191: LM1-850-95 AUS ILLUMINATED NUMBER PLATE HOLDER WITH FASTENERS

ITEM	PART NUMBER	QTY	DESCRIPTION	NOTES
1	LM1-501-65	1	REG MOUNT PLATE	
2	YLIGHT29	1	LED NUMBER PLATE LIGHT	
3	XS08020Z	4	M8 X 20 HEX HEAD SCREW 8.8	
4	XW08SZ	4	M8 SPRING WASHER	
5	XW08AZ	4	M8 FORM A WASHER	
6	CABLE-TIE-5-260	1	CABLE TIE	
7	YPIN1	2	6.3MM FEMALE LUCAR PIN BLUE	
8	15310.12	1	BLANKING GROMMET	
9	XNS08H	2	M8 HEX NUTSERT	
10	XNS05	2	M5 NUTSERT	

Table 110: LM1-850-95 AUS ILLUMINATED NUMBER PLATE HOLDER WITH FASTENERS - BOM

## UK/EU REG PLATE

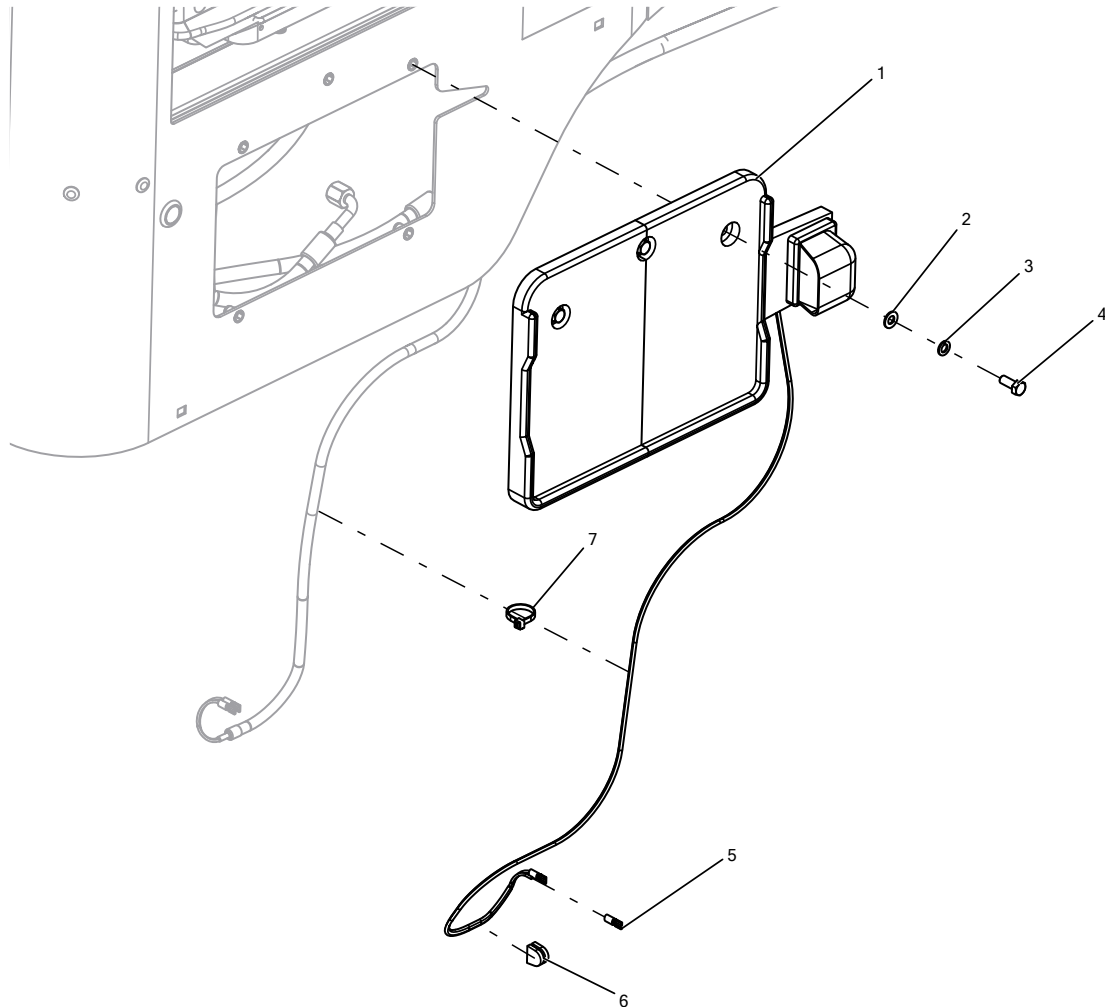


Figure 192: LM1-850-90 UK ILLUMINATED NUMBER PLATE HOLDER WITH FASTENERS:

ITEM	PART NUMBER	QTY	DESCRIPTION	NOTES
1	YPLHOLD1	1	NUMBER PLATE HOLDER WITH LIGHT	
2	XW08AZ	3	M8 FORM A WASHER	
3	XW08SZ	3	M8 SPRING WASHER	
4	XS08020Z	3	M8 X 20 HEX HEAD SCREW 8.8	
5	YPIN1	2	6.3MM FEMALE LUCAR PIN BLUE	
6	15310.12	1	BLANKING GROMET	
7	CABLE-TIE-5-260	1	CABLE TIE	

Table 111: LM1-850-90 UK ILLUMINATED NUMBER PLATE HOLDER WITH FASTENERS - BOM

## CHAPTER5.14: LED REAR CORNER MARKER LIGHT

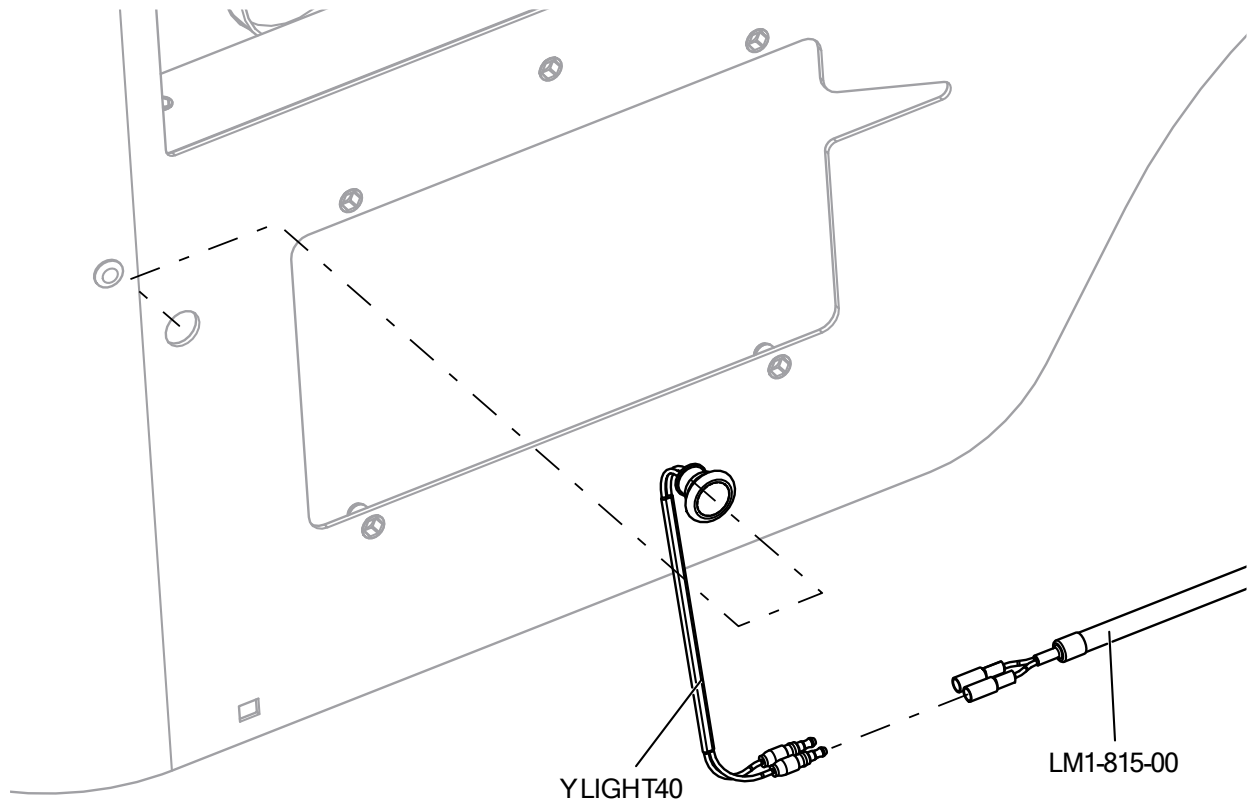


Figure 193: YLIGHT40 CAB REAR CORNER LIGHT

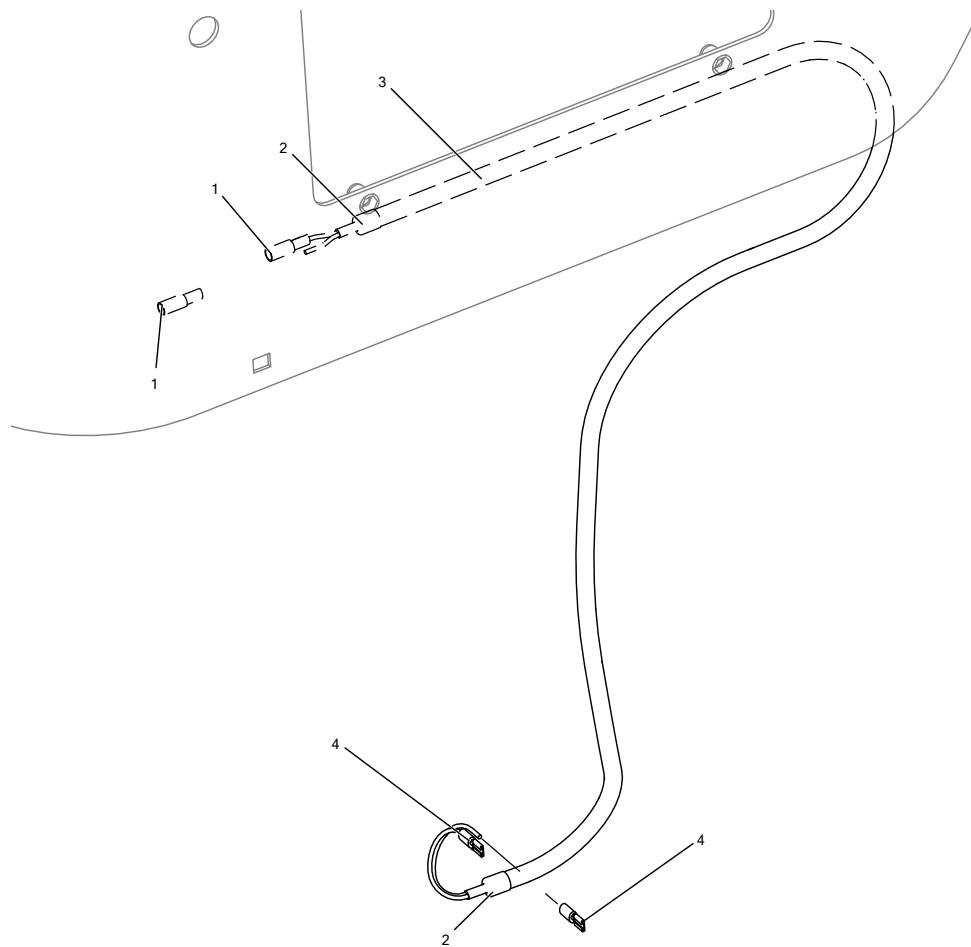


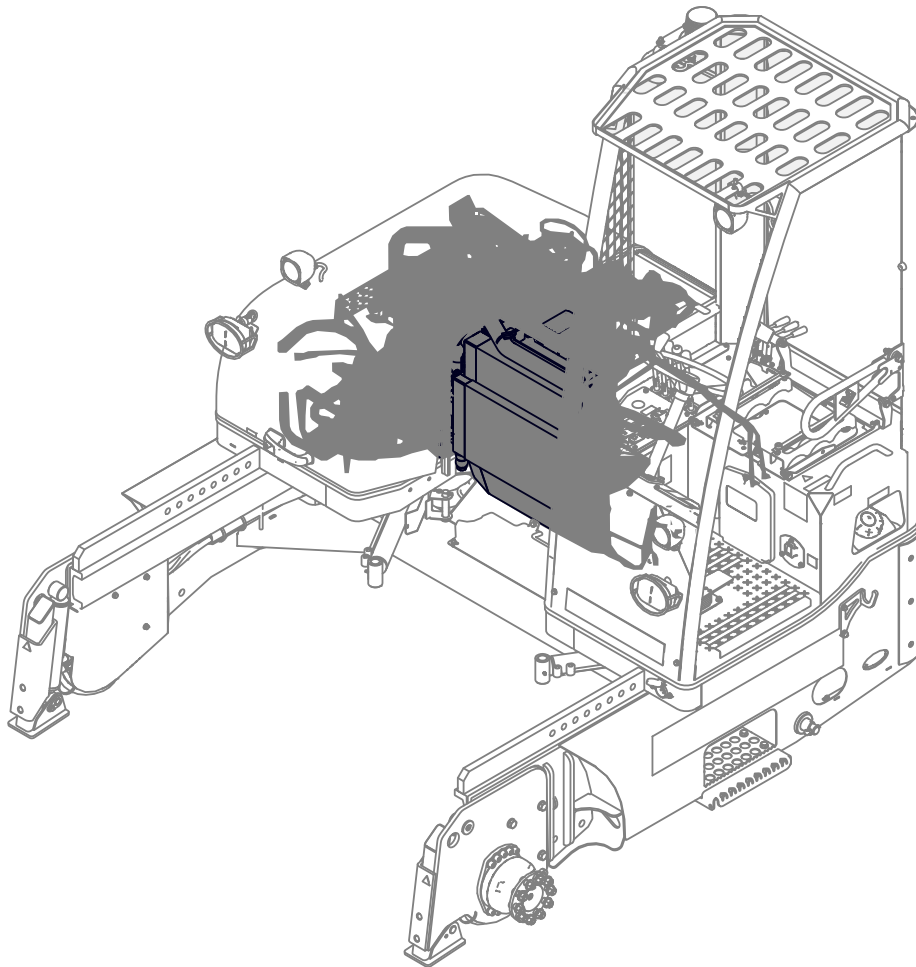
Figure 194: LM1-815-00 SIDE MARKER LIGHT LOOM

ITEM	PART NUMBER	QTY	DESCRIPTION	NOTES
1	RED-3.16IN- BULLET-INSULATED-FEMALE	2	BULLET CONNECTOR INSULATED	
2	HEATSHRINK-10-TO-5	2	HEATSHRINK	
3	LM1-815-00 LOOM	1	SIDE MARKER LIGHT LOOM	
4	YPIN1	2	6.3MM FEMALE LUCAR PIN BLUE	

Table 112 LM1-815-00 SIDE MARKER LIGHT LOOM – BOM



## CHAPTER6: POWERTRAIN AND TRANSMISSION



## CHAPTER 6.1: ENGINE

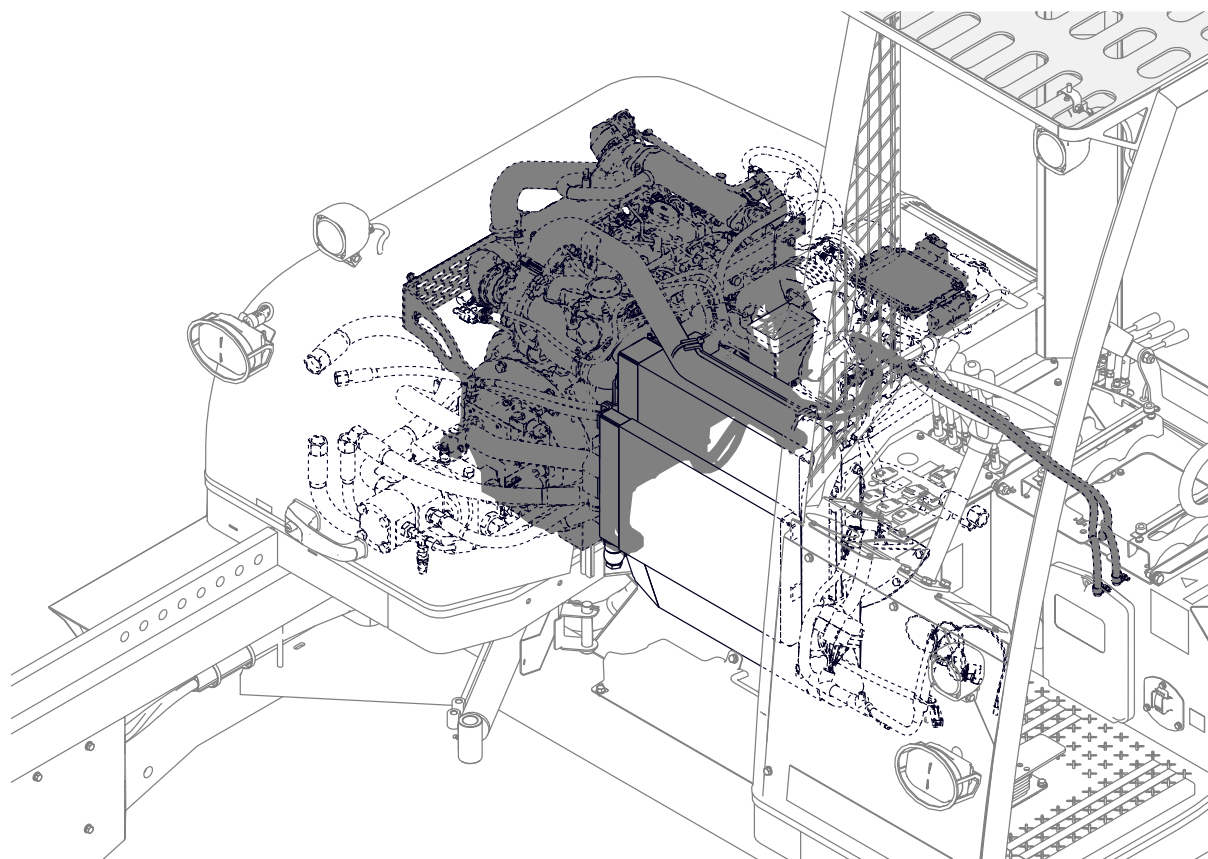


Figure 195: LM1-604-20 HATZ ENGINE TIER 4 FINAL T4F COMPLETE

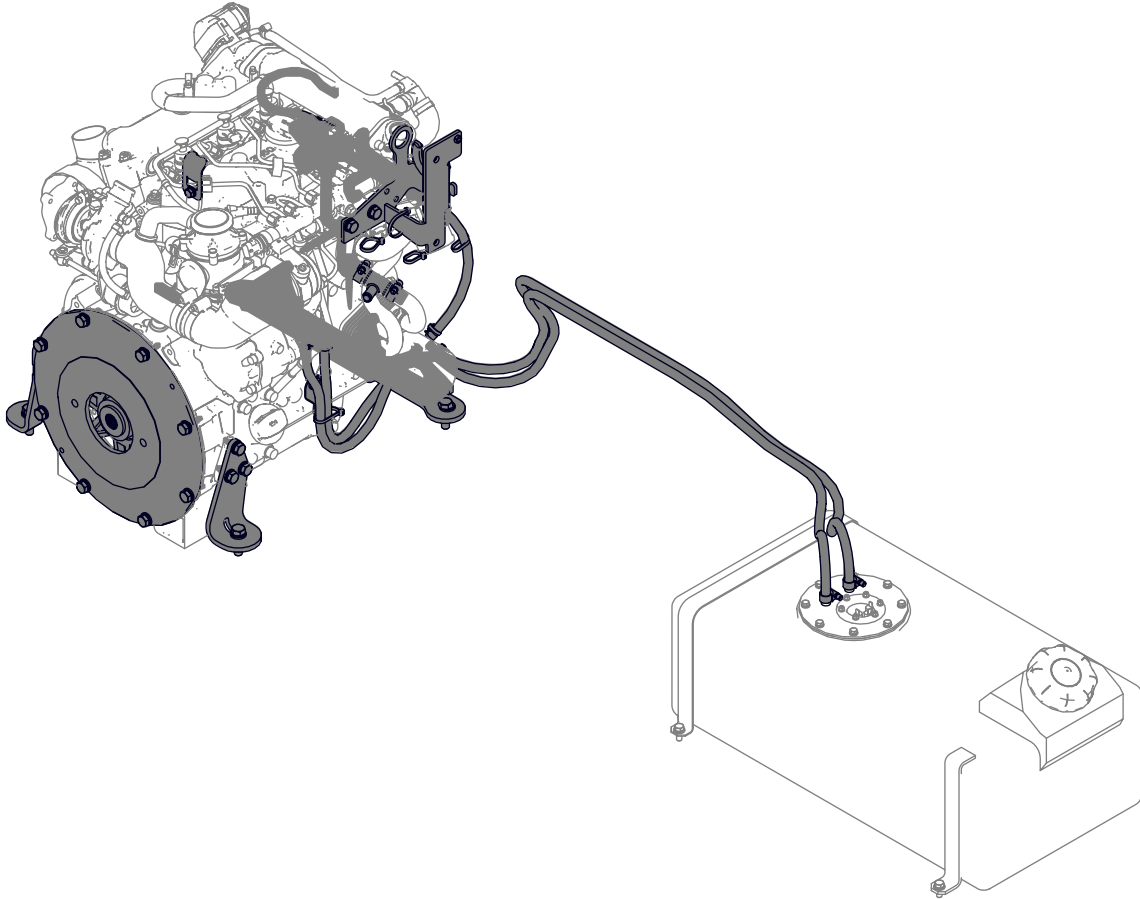


Figure 196: LM1-604-50 COMMON HATZ ENGINE DRESSINGS

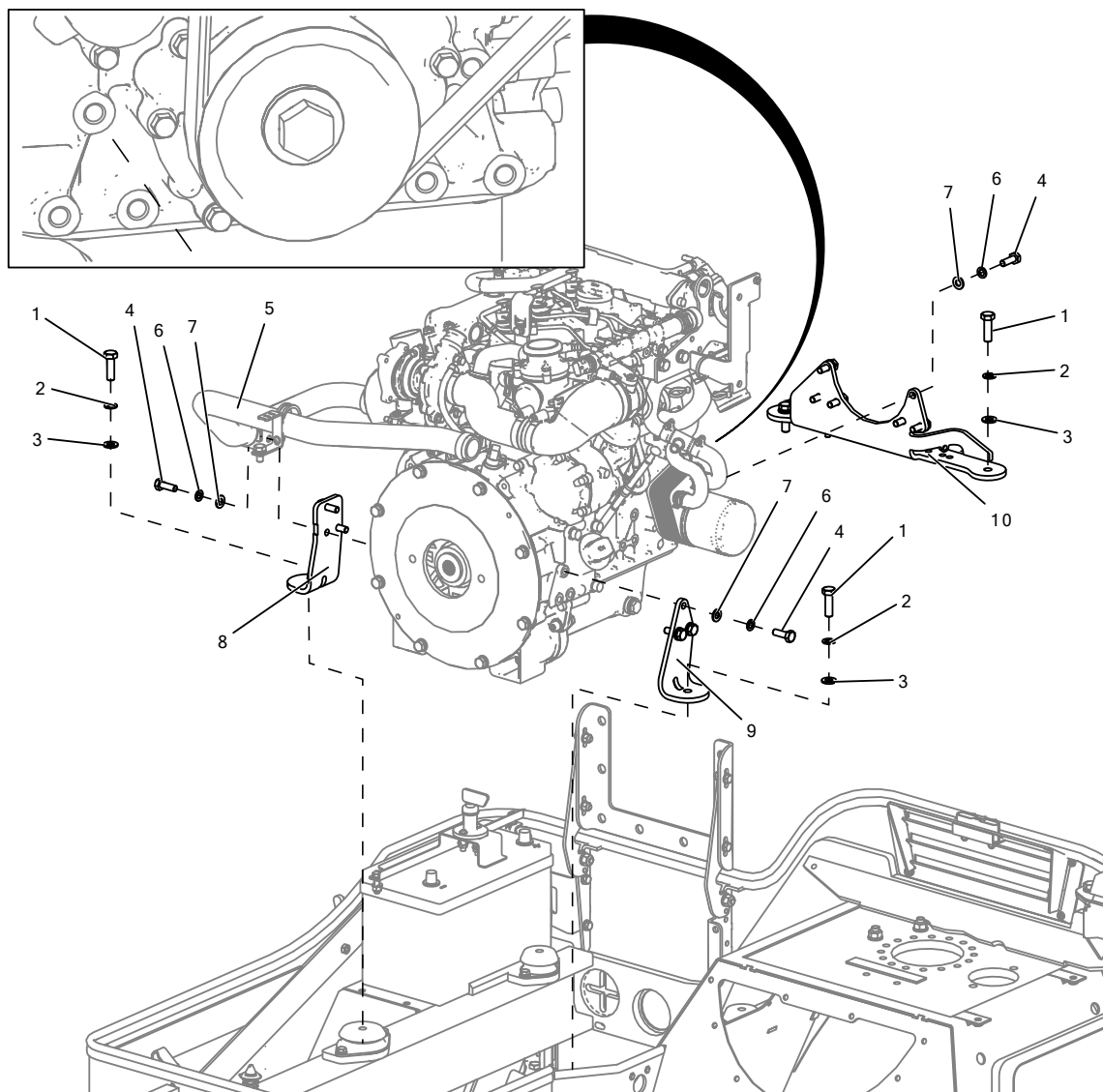


Figure 197: LM1-604-50 ENGINE MOUNT BRACKETS

ITEM	PART NUMBER	QTY	DESCRIPTION	NOTES
1	XS12040Z	4	M12 X 40 HEX HEAD SCREW 8.8	
2	XW12SZ	4	M12 SPRING WASHER	
3	XW12AZ	4	M12 FORM A WASHER	
4	XS10030Z	12	M10 X 30 HEX HEAD SCREW 8.8	
5	LM1-616-210	1	LOWER COOLANT HOSE WITH FIXINGS	
6	XW10SZ	12	M10 SPRING WASHER	
7	XW10AZ	12	M10 FORM A WASHER	
8	LM1-600-23	1	ENGINE MOUNT FRONT RH HATZ	
9	LM1-600-22	1	ENGINE MOUNT FRONT LH HATZ	
10	LM1-600-30	1	REAR ENGINE MOUNT	

Table 113: LM1-604-50 ENGINE MOUNT BRACKETS BOM

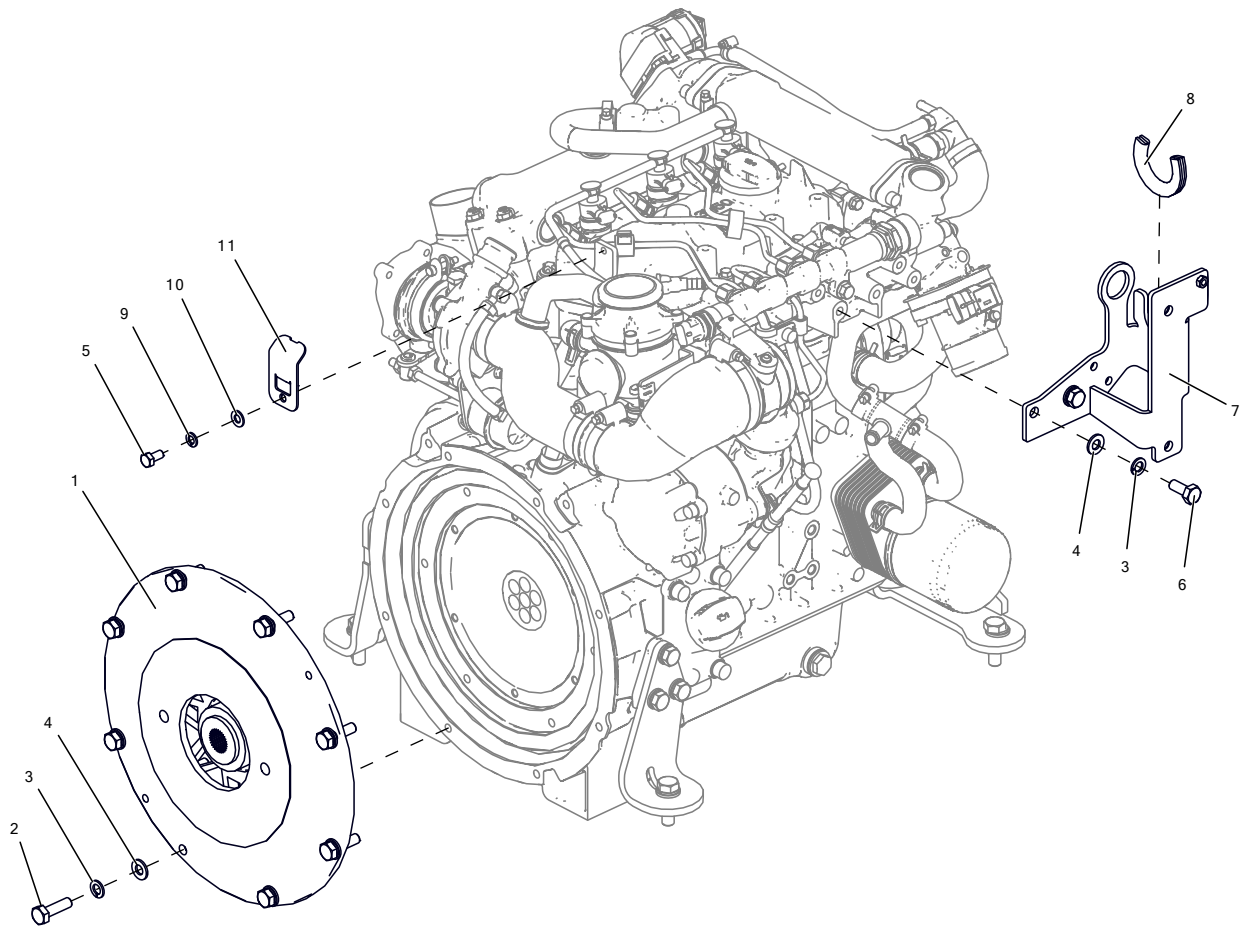


Figure 198: LM1-604-50 BELL HOUSING AND OTHER BRACKETS

ITEM	PART NUMBER	QTY	DESCRIPTION	NOTES
1	YCOUPLING1	1	ENGINE/HYDRASTATIC PUMP COUPLING	
2	XS10035Z	8	M10 X 35 HEX HEAD SCREW 8.8	
3	XW10SZ	10	M10 SPRING WASHER	
4	XW10AZ	10	M10 FORM A WASHER	
5	XS08016Z	1	M8 X 16 HEX HEAD SCREW 8.8	
6	XS10025Z	2	M10 X 25 HEX HEAD SCREW 8.8	
7	LM1-606-20	1	AIR FILTER MOUNT WA	
8	LM1-616-33	1	YSEALSTRIP30 X 130MM LONG	
9	XW08SZ	1	M8 SPRING WASHER	
10	XW08AZ	1	M8 FORM A WASHER	
11	LM1-606-42	1	CAC TIE POINT	

Table 114: LM1-604-50 BELL HOUSING AND OTHER BRACKETS BOM

## CHAPTER6.2: FUEL AND COOLANT CONNECTIONS

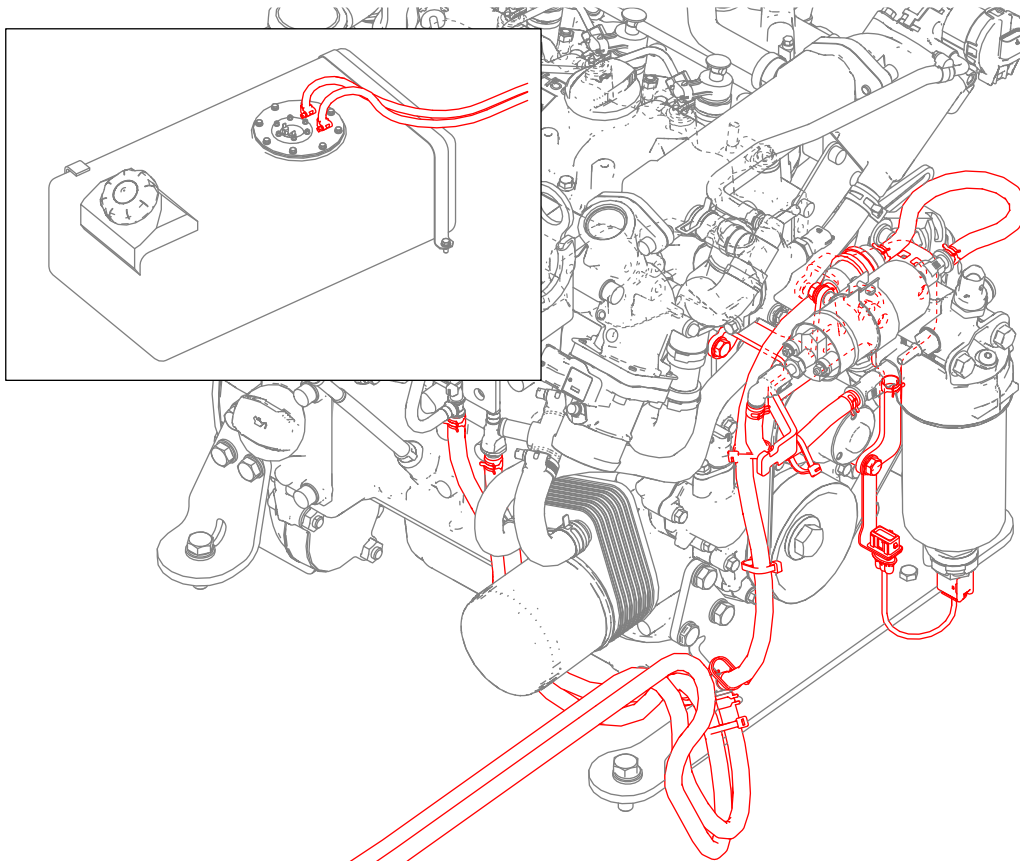


Figure 199: LM1-604-50 FUEL AND COOLANT CONNECTIONS

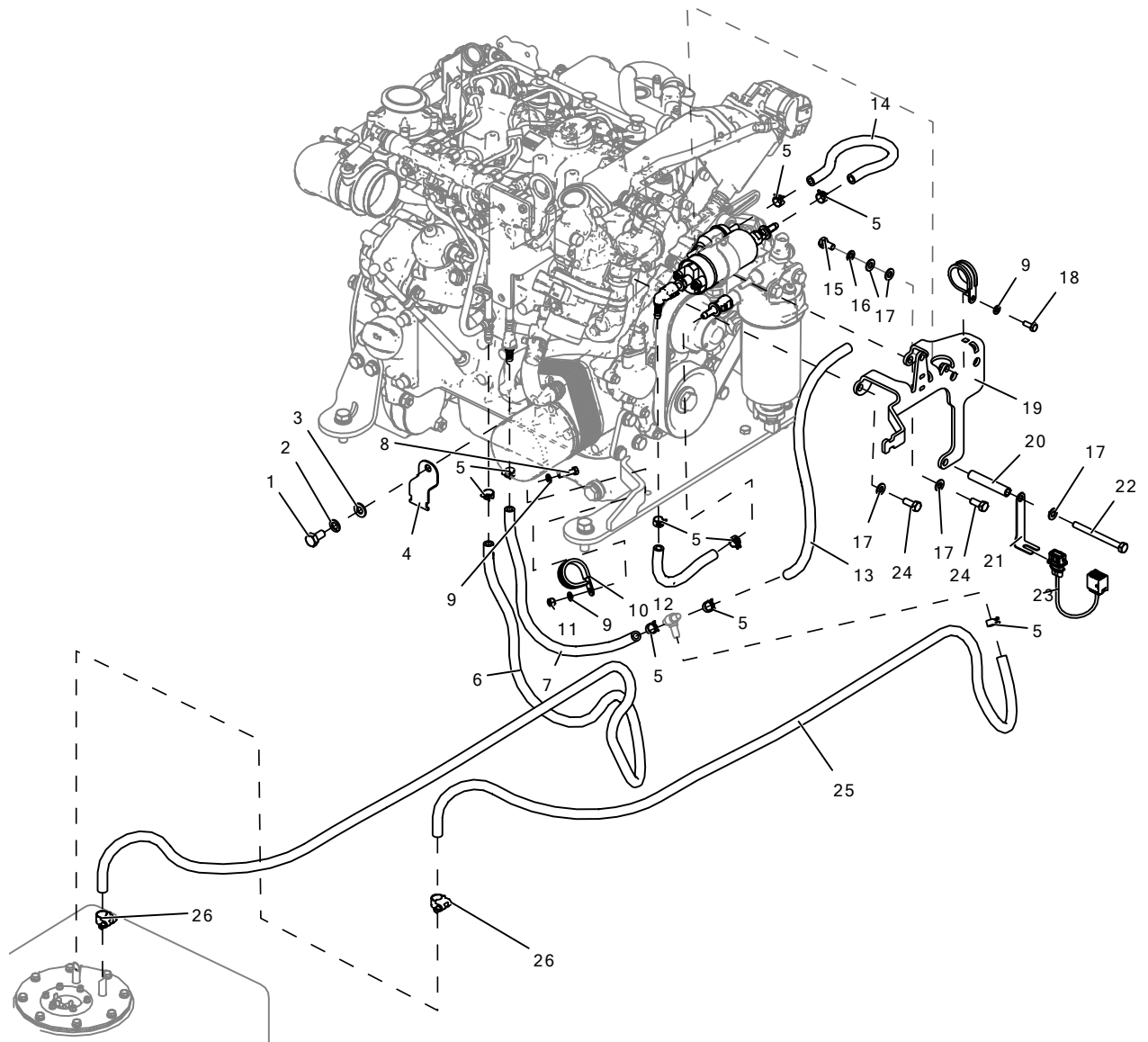


Figure 200: LM1-604-50 FUEL AND COOLANT CONNECTION DETAIL

ITEM	PART NUMBER	QTY	DESCRIPTION	NOTES
1	XS10020Z	1	M10 X 20 HEX HEAD SCREW 8.8	
2	XW10SZ	1	M10 SPRING WASHER	
3	XW10AZ	1	M10 FORM A WASHER	
4	LM1-606-26	1	TIE POINT	
5	YCLIP14	9	SPRING HOSE CLAMP - ROTOR CLIP 13.2-15.4MM	
6	LM1-602-21	1	FUEL RETURN LINE 1960MM LONG	
7	LM1-602-23	1	FUEL HOSE - ENGINE HIGH PRES. RETURN TO TEE - 440MM LONG	
8	XS06025Z	1	M6 X 25 HEX HEAD SCREW 8.8	
9	XW06AZ	3	M6 FORM A WASHER	
10	YPCLIP33	2	33MM ID CLIP	
11	XN06N	1	M6 NYLOC NUT	
12	LM1-602-25	1	FUEL HOSE - PUMP TO FILTER	
13	LM1-602-27	1	FUEL HOSE - TEE TO PRE-FILTER - 455MM LONG	
14	LM1-602-24	1	FUEL HOSE - PRE-FILTER TO PUMP - 300MM LONG	
15	XS08016Z	1	M8 X 16 HEX HEAD SCREW 8.8	
16	XW08SZ	1	M8 SPRING WASHER	
17	XW08AZ	5	M8 FORM A WASHER	
18	XS06016Z	1	M6 X 16 HEX HEAD SCREW 8.8	
19	LM1-606-50	1	HATZ ENGINE MOUNTED FUEL FILTER MOUNT	
20	LM1-606-46	1	SPACER TUBE - FUEL FILTER MOUNT	
21	LM1-602-28	1	WFS ADAPTER LOOM MOUNT	
22	XB08090Z	1	M8 X 90 HEX HEAD BOLT 8.8	
23	LM1-830-03	1	HATZ FUEL FILTER ADAPTER LOOM	
24	XS08020Z	2	M8 X 20 HEX HEAD SCREW 8.8	
25	LM1-602-22	1	FUEL HOSE - TANK TO TEE - 1390MM LONG	
26	YCLIP16	2	11-16MM HOSE CLIP	

Table 115: LM1-604-50 FUEL AND COOLANT CONNECTION DETAIL BOM



## CHAPTER 6.3: HATZ TIER 4 FINAL ENGINE

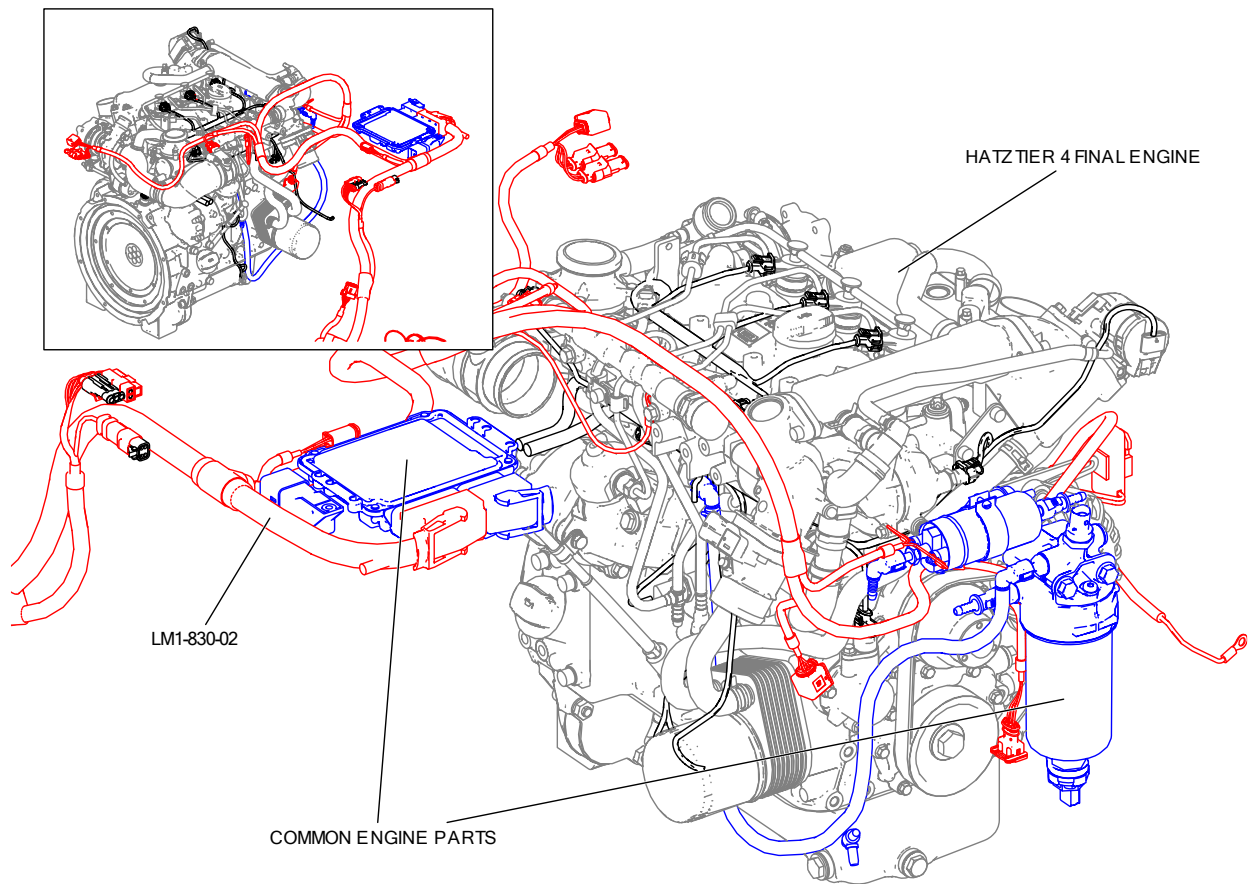


Figure 201: LM1-604-02 HATZ TIER 4 FINAL ENGINE

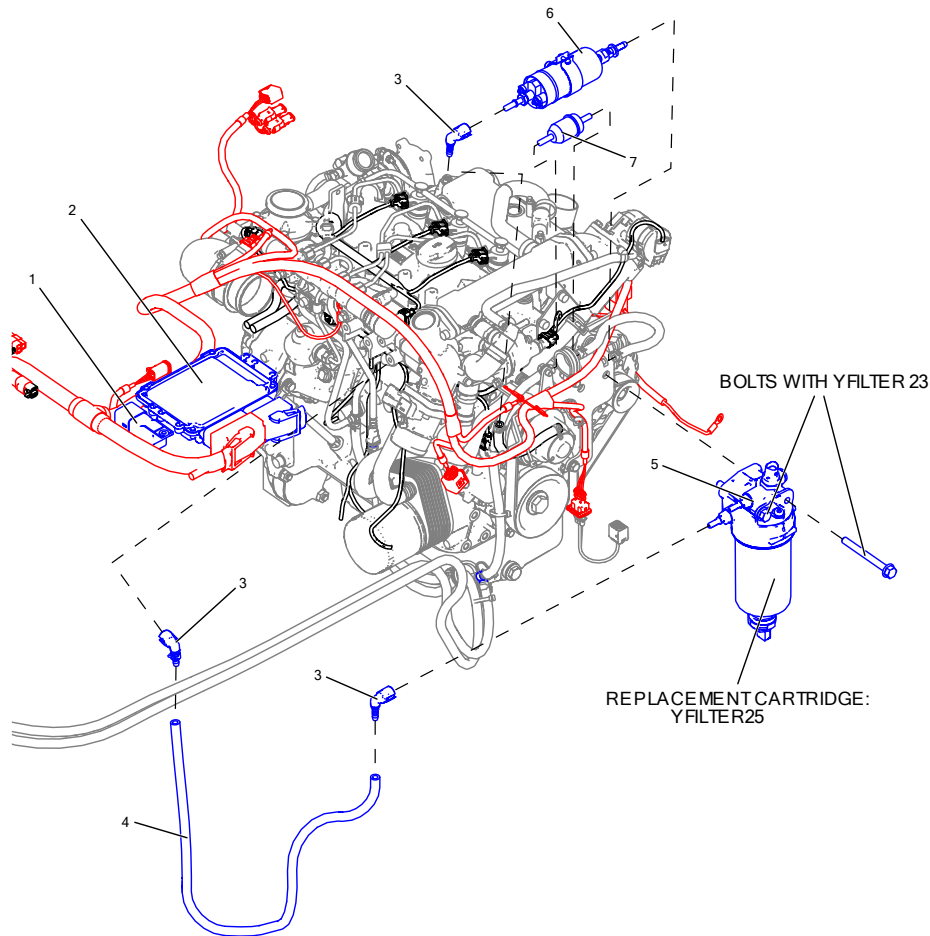
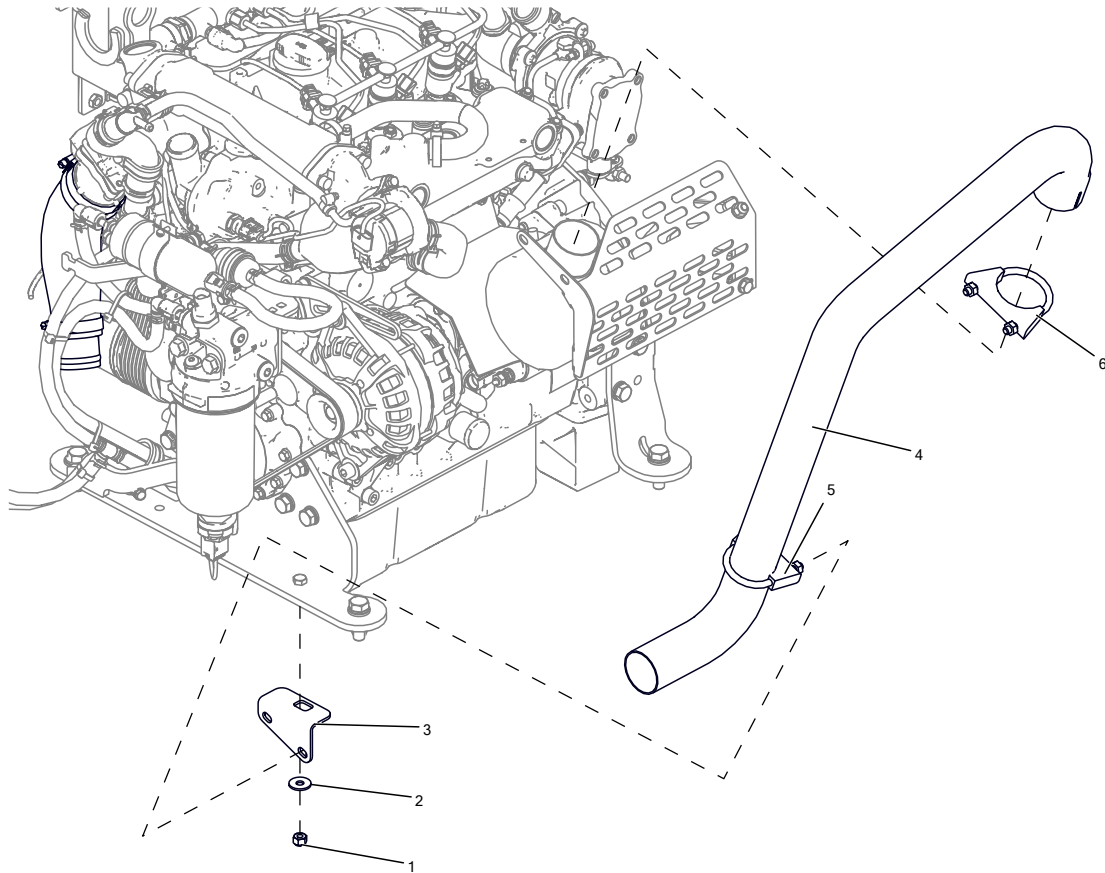


Figure 202: LM1-604-02 COMMON ENGINE PARTS

ITEM	PART NUMBER	QTY	DESCRIPTION	NOTES
1	HATZ GLOW PLUG CONTROL UNIT	1	NOT SPECIFIED	
2	02578600_DMU	1	ENGINE MANAGEMENT UNIT	
3	YFUELCONNECTOR1	3	FUEL CONNECTOR 90DEG 8MM PUSH-FIT	
4	LM1-602-26	1	HOSE – MAIN FUEL FILTER TO ENGINE	
5	YFILTER23	1	HATZ MAIN FUEL FILTER 00002151900	
6	YFUEL PUMP1	1	HATZ 12V FUEL FEED PUMP 023 683 02	
7	YFILTER24	1	8MM HATZ FUEL PRE-FILTER 000050695800	

Table 116: LM1-604-02 COMMON ENGINE PARTS

## CHAPTER6.4: HATZ DOWNPIPE ASSEMBLY



ITEM	PART NUMBER	QTY	DESCRIPTION	NOTES
1	XN08N	1	M8 NYLOC NUT	
2	XW08GZ	1	M8 FORM G WASHER	
3	LM1-605-18	1	BRACKET - DOC TAILPIPE	
4	LM1-605-19	1	EXHAUST DOWNPIPE - 3H50 ENGINE	
5	YCLAMP50.8	1	2" U BOLT CLAMP	
6	YCLAMP57	1	2.25" U BOLT CLAMP	

Table 117: LM1-605-45 HATZ DOWNPIPE ASSEMBLY BOM

## CHAPTER6.5: HATZ DOC HEAT SHEILD

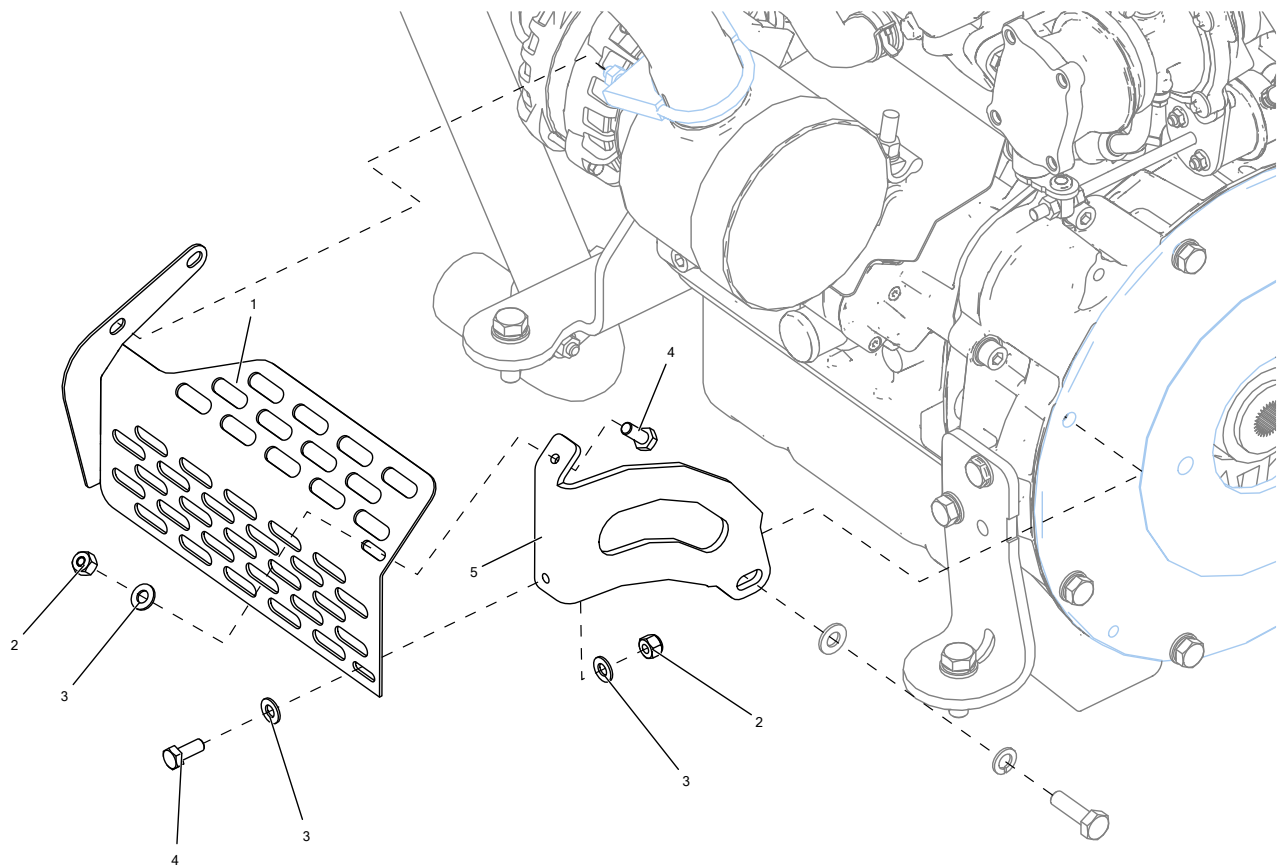


Figure 203: LM1-600-59 DOC HEAT SHEILD

ITEM	PART NUMBER	QTY	DESCRIPTION	NOTES
1	LM1-103-62	1	SAFETY GUARD WELD ASSY	
2	XN08P	2	M8 PHILLIDAS NUT	
3	XW08AZ	3	M8 FORM A WASHER	
4	XS08020Z	2	M8 X 20 HEX HEAD SCREW 8.8	
5	LM1-103-66	1	SUPPORT BRACKET - DOC GUARD	

Table 118: LM1-600-59 DOC HEAT SHEILD BOM

## CHAPTER6.6: HATZ INTAKE RUNNER ADAPTER

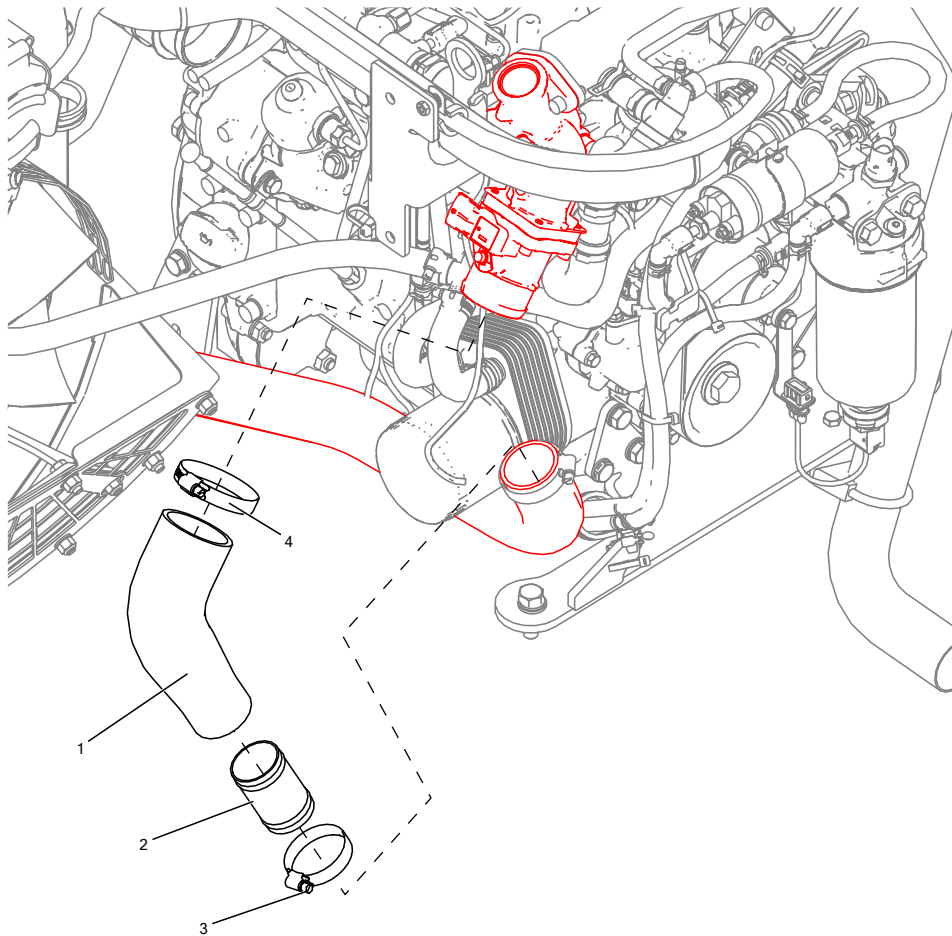


Figure 204: LM1-600-60 INTAKE RUNNER ADAPTER

ITEM	PART NUMBER	QTY	DESCRIPTION	NOTES
1	LM1-616-29	1	TIER 4F CAC EXTENSION HOSE	
2	YJOINER2	1	JOINER - CAC TO INLET MANIFOLD	
3	YCLIP52	1	HOSE CLIP 45-60MM DIA	
4	YCLIP60	1	HOSE CLIP 60-80MM DIA	

Table 119: LM1-600-60 INTAKE RUNNER ADAPTER BOM

## CHAPTER6.7: HATZ ENGINE COOLING SYSTEM

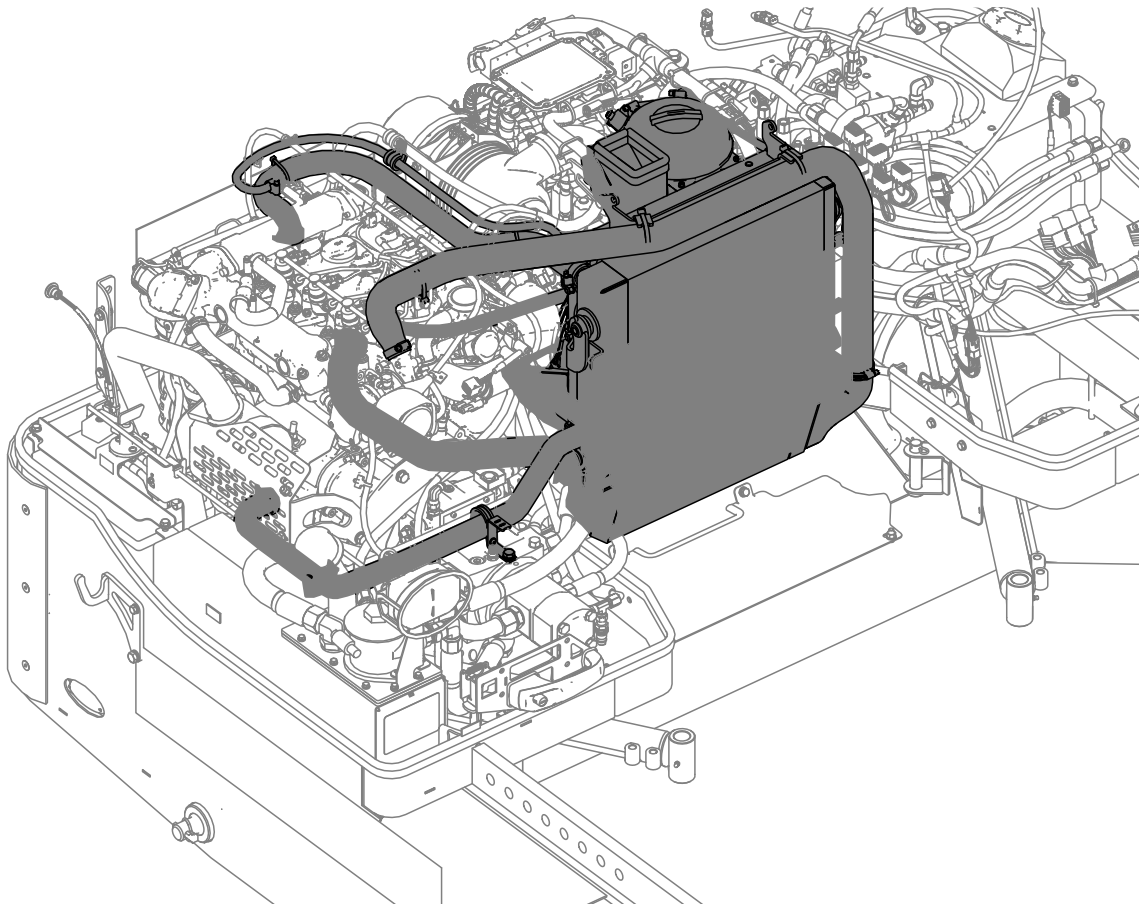


Figure 205: LM1-106-220 HATZ ENGINE COOLING SYSTEM

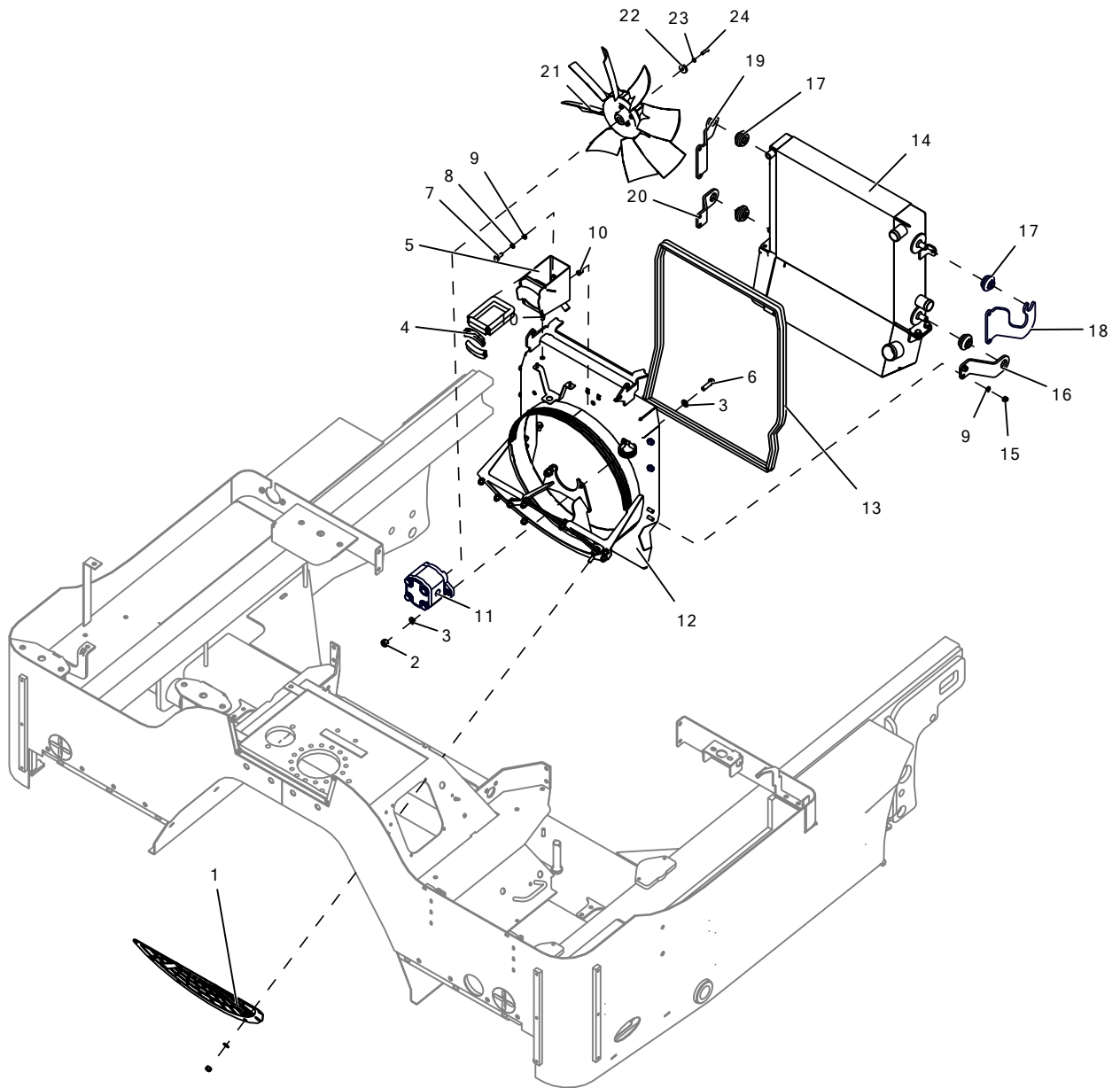


Figure 206: LM1-106-220 HATZ ENGINE COOLING SYSTEM FAN ASSEMBLY

ITEM	PART NUMBER	QTY	DESCRIPTION	NOTES
1	LM1-106-156	1	FAN GRILL - WHEEL WELL	
2	XN10N	2	M10 NYLOC NUT	
3	XW10AZ	4	M10 FORM A WASHER	
4	LM1-606-28	1	AIR BOX SEAL KIT - 7601501 477MM LONG	
5	LM1-606-30	1	AIR BOX	
6	XS10035Z	2	M10 X 35 HEX HEAD SCREW 8.8	
7	XS08020Z	3	M8 X 20 HEX HEAD SCREW 8.8	
8	XW08SZ	3	M8 SPRING WASHER	
9	XW08AZ	11	M8 FORM A WASHER	
10	XNS08H	5	M8 HEX NUTSERT	
11	YMOTOR16	1	HYDRAULIC FAN MOTOR 6.2CC/REV	
12	LM1-106-130	1	RADIATOR SHROUD	
13	LM1-106-135	1	RADIATOR SHROUD SEAL	
14	LM1-617-40	1	HATZ T4F/STG5 COOLING PACK WATER/AIR	
15	XN08N	8	M8 NYLOC NUT	
16	LM1-106-138	1	LOWER RH RADIATOR MOUNT	
17	LM1-616-03	4	BUSH - RADIATOR SUPPORT	
18	LM1-106-137	1	TOP RAD MOUNT RH	
19	LM1-106-136	1	TOP RAD MOUNT LH	
20	LM1-106-139	1	LOWER LH RADIATOR MOUNT	
21	YFAN2	1	COOLING FAN	
22	LM1-106-44	1	FAN RETAINING WASHER	
23	XW06SZ	1	M6 SPRING WASHER	
24	XS06020Z	1	M6 X 20 HEX HEAD SCREW 8.8	

Table 120: LM1-106-220 HATZ ENGINE COOLING SYSTEM FAN ASSEMBLY BOM



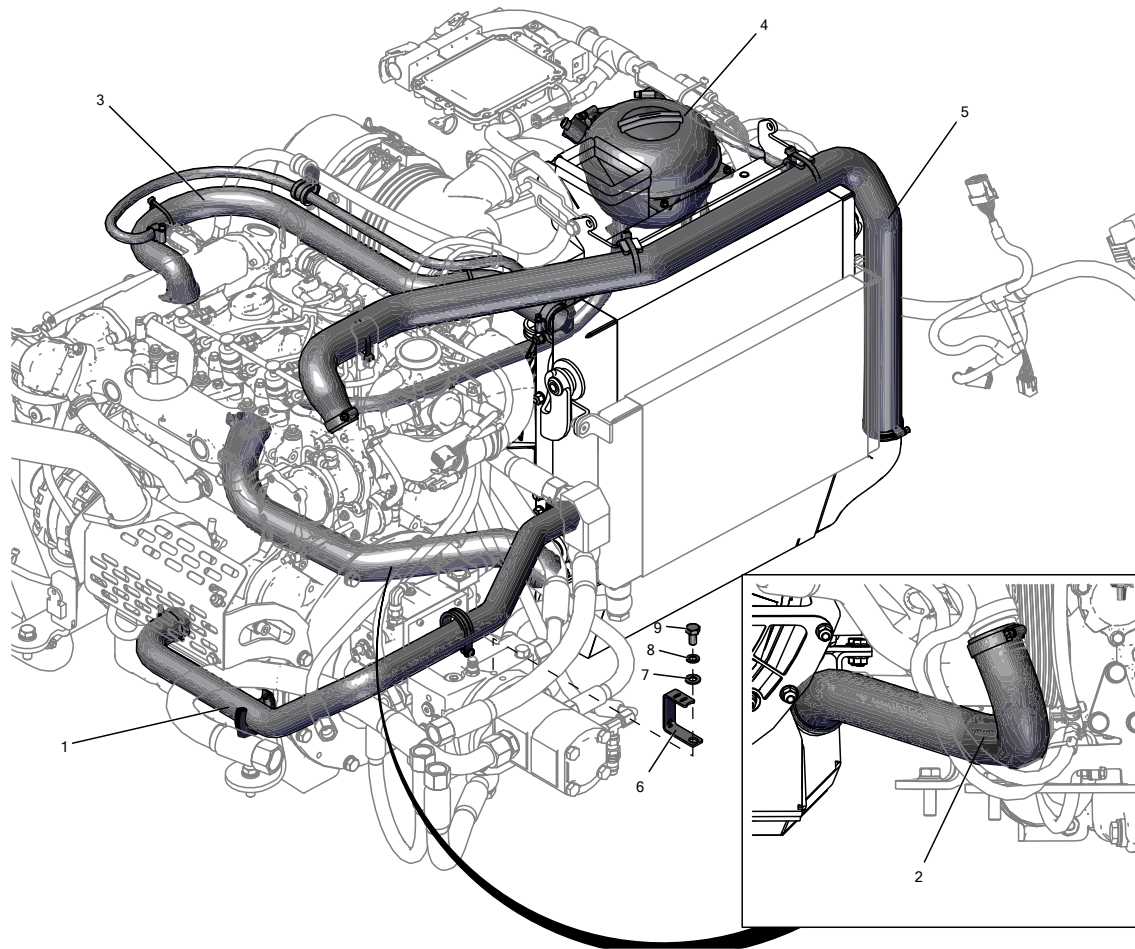


Figure 207: LM1-106-220 HATS ENGINE COOLING SYSTEM PIPEWORK

ITEM	PART NUMBER	QTY	DESCRIPTION	NOTES
1	LM1-616-21	1	COOLANT HOSE LOWER HATZ	
2	LM1-616-24	1	CHARGE AIR COOLER HOSE LOWER	
3	LM1-616-22	1	COOLANT HOSE TOP	
4	LM1-616-40	1	COOLANT EXPANSION TANK WITH HOSES AND FASTNERS	
5	LM1-616-23	1	CHARGE AIR COOLER HOSE TOP	
6	LM1-106-108	1	COOLANT PIPE AND HOSE TIE POINT	
7	XW10AZ	1	M10 FORM A WASHER	
8	XW10SZ	1	M10 SPRING WASHER	
9	XS10020Z	1	M10 X 20 HEX HEAD SCREW 8.8	

Table 121: LM1-106-220 HATS ENGINE COOLING SYSTEM PIPEWORK BOM

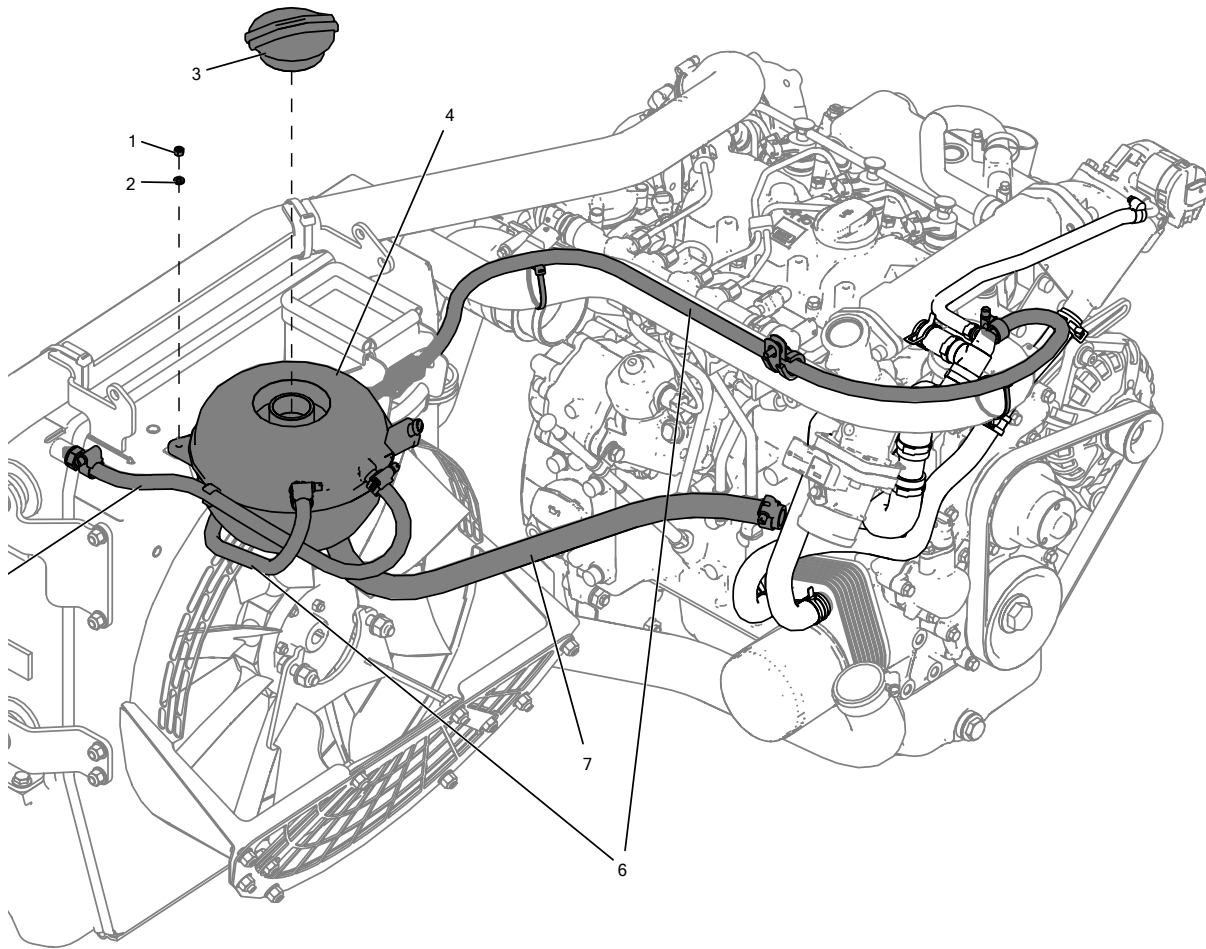


Figure 208: LM1-106-220 COOLANT EXPANSION TANK

ITEM	PART NUMBER	QTY	DESCRIPTION	NOTES
1	XN05N	2	M5 NYLOC NUT	
2	XW05AZ	2	M5 FORM A WASHER	
3	LM1-616-16	1	HATZ EXPANSION TANK CAP	
4	LM1-616-15	1	HATZ EXPANSION TANK	
5	LM1-616-31	1	RADIATOR BLEED HOSE 460MM LONG	
6	LM1-616-32	1	COOLANT OVERFLOW HOSES 1522MM LONG	
7	LM1-616-27	1	YHOSE1 593MM LONG 16 ID X 5 23 OD	

Table 122: LM1-106-220 COOLANT EXPANSION TANK BOM

## CHAPTER6.8: AIR FILTER HOUSING

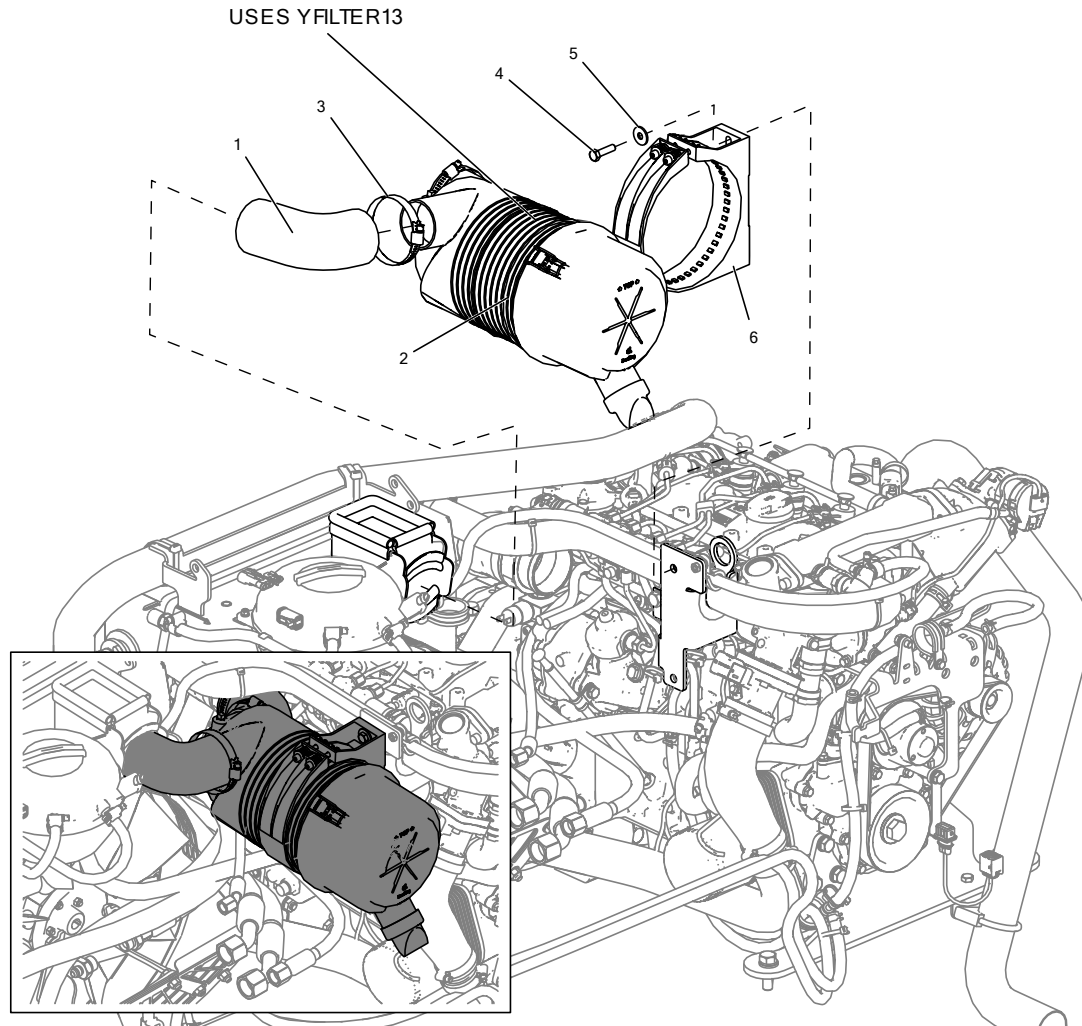


Figure 209: LM1-606-100 AIR FILTER HOUSING

ITEM	PART NUMBER	QTY	DESCRIPTION	NOTES
1	LM1-616-26	1	INTAKE - ATMOS TO AIR FILTER	
2	YFILTER11	1	AIR FILTER HOUSING ASSEMBLY (INCLUDES YFILTER13)	
3	YCLIP60	1	HOSE CLIP 60-80MM	
4	XS08030Z	2	M8 X 30 HEX HEAD SCREW 8.8	
5	XW08GZ	2	M8 FORM G WASHER	
6	YFILTERMOUNT1	1	MOUNT - HATZ T4F AIR FILTER	

Table 123: LM1-606-100 AIR FILTER HOUSING BOM

## CHAPTER 6.9: HYDROSTATIC TRANSMISSION PUMP

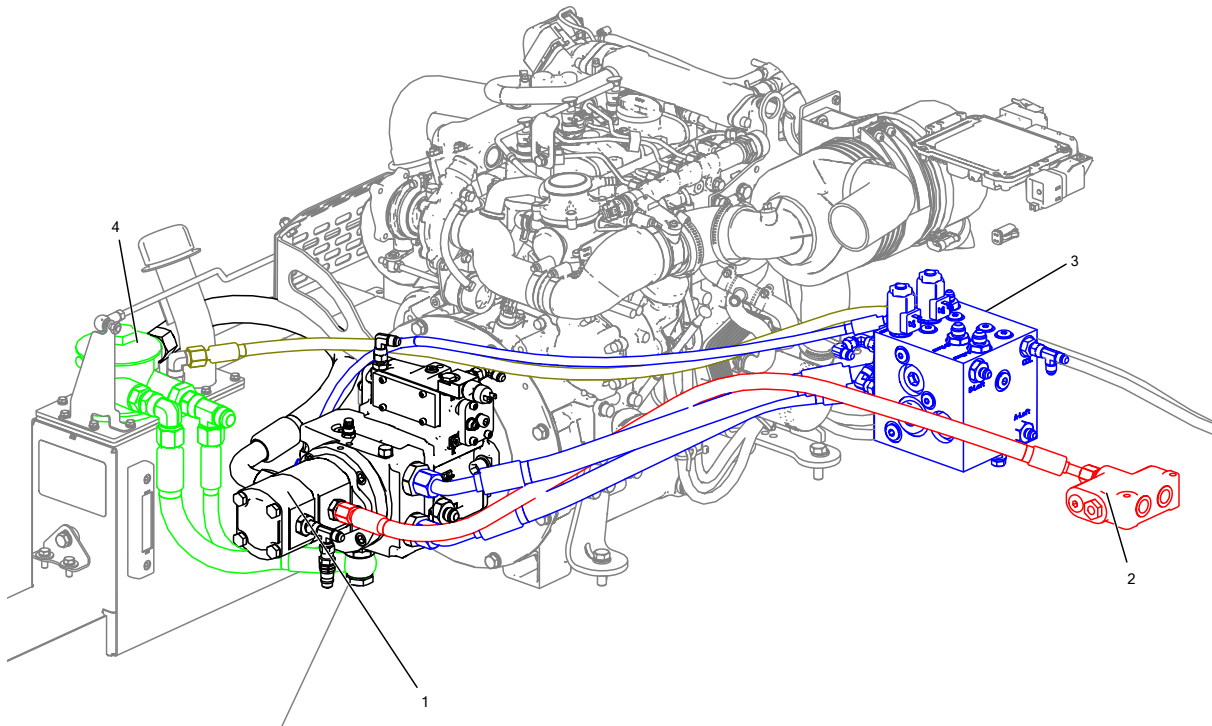


Figure 210: LM1-708-20 HYDROSTATIC TRANSMISSION PUMP

ITEM	PART NUMBER	QTY	DESCRIPTION	NOTES
1	LM1-708-00	1	HYDROSTATIC PUMP WITH FITTINGS	
2	YVALVE5	1	PRIORITY VALVE	
3	YBLOCK1B	1	HYDRAULIC DIFFERENTIAL LOCK	
4	YFILTER1	1	HYDRAULIC COMBINATION FILTER	

Table 124: LM1-708-20 HYDROSTATIC TRANSMISSION PUMP BOM

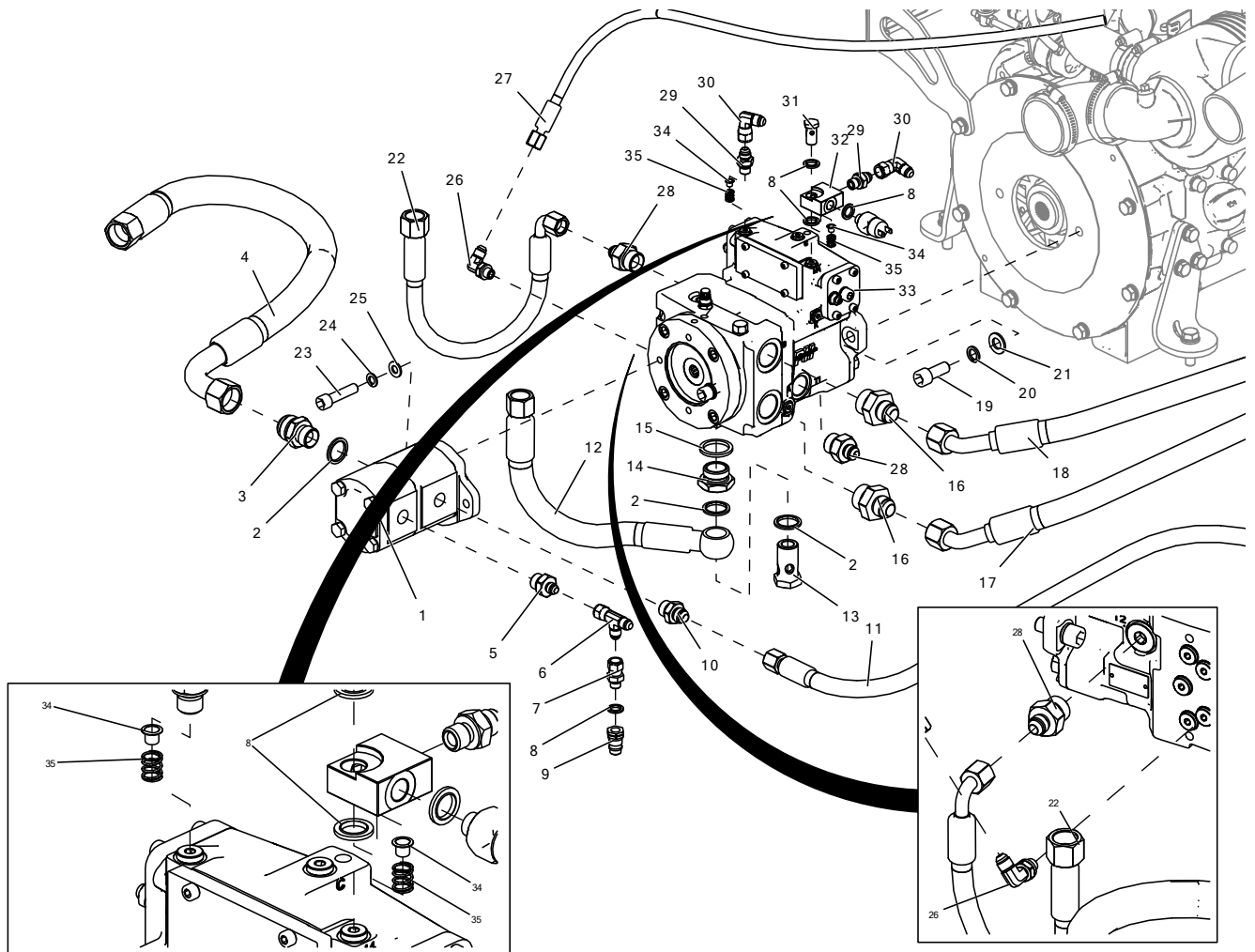


Figure 211: LM1-708-20 HYDROSTATIC TRANSMISSION PUMP DETAIL

ITEM	PART NUMBER	QTY	DESCRIPTION	NOTES
1	YPUMP19	1	14-6 CC/REV TANDEM PUMP	
2	YHS3/4D	3	3/4" BSP DOWTY WASHER	
3	YHA3.4-1.5.16J	1	3/4" BSP M W/ SEAL TO 1 5/16J M	
4	LM1-700-J239	1	Hydraulic Tank to Gear Pump	
5	YHA1.2-9.16J	1	1/2" BSP M W/ SEAL TO 9/16J-18 M	
6	YHT9-16JMFM	1	9/16J-18 TEE MFM MALE ON BRANCH	
7	YHA1.4-9.16JF	1	1/4" BSP TO 9/16J-18 SWIVEL FEMALE	
8	YHS1/4D	4	1/4" BSP DOWTY WASHER	
9	YPROBE1	1	1/4" BSP ISO A QUICK RELEASE PROBE (M)	
10	YHA1.2-3.4J	1	1/2" BSP M W/ SEAL TO 3/4J-16 M	
11	LM1-700-J350	1	14cc/rev (Tandem) Pump to Priority Valve	
12	LM1-700-J206	1	JIC Combo Filter Outlet to Hydrostatic Pump	
13	YHA3.4BB	1	3/4" BSP BANJO BOLT	
14	YHR1-3.4	1	1" BSP TP 3/4" BSP REDUCER BUSH	
15	YHS1D	1	1" BSP DOWTY WASHER	
16	YHA1-1.1.16J	2	1" BSP TO 1 1/16J MALE - MALE ADAPTER	
17	LM1-700-J200	1	JIC Block "A" to Hydrostatic Pump "A"	
18	LM1-700-J201	1	JIC Block "B" to Hydrostatic Pump "B"	
19	XSC14050Z	2	M14 X 35 CAP HEAD SCREW 8.8	
20	XW14SZr	2	M14 SPRING WASHER	
21	XW14AZ	1	M14 FORM A WASHER	
22	LM1-700-J205	1	JIC Hydrostatic Pump "T2" to Combo Filter Inlet Tee Branch	
23	XSC12050Z	2	M12 X 50 CAP HEAD SCREW 8.8	
24	XW10SZ	30	M10 SPRING WASHER	
25	XW10AZ	30	M10 FORM A WASHER	
26	YHA1.4-9.16JEA	1	9/16J-18 MF SWIVLE ELBOW	
27	LM1-700-J221	1	Block "CP" to Hydrostatic Pump	
28	YHA3.4-3.4J	2	3/4" BSP M W/ SEAL TO 3/4J-16 M	
29	YHA1.4-9.16J	2	1/4" BSP M W/ INTEGRAL SEAL TO 9/16J-18 M	
30	YHA9.16JMFE	2	9/16J-18 MF SWIVLE ELBOW	
31	YHA1.4BB	1	1/4" BSP BANJO BOLT	
32	LM1-108-23	1	REVERSE PRESSURE SWITCH BANJO	
33	YPUMP5	1	HYDROSTATIC TRANSMISSION PUMP	
34	YSPRING23	2	COMPRESSION SPRING	
35	YFILTER21	2	LAST CHANCE FILTER	

Table 125: LM1-708-20 HYDROSTATIC TRANSMISSION PUMP DETAIL BOM

## CHAPTER6.10: OIL COOLER

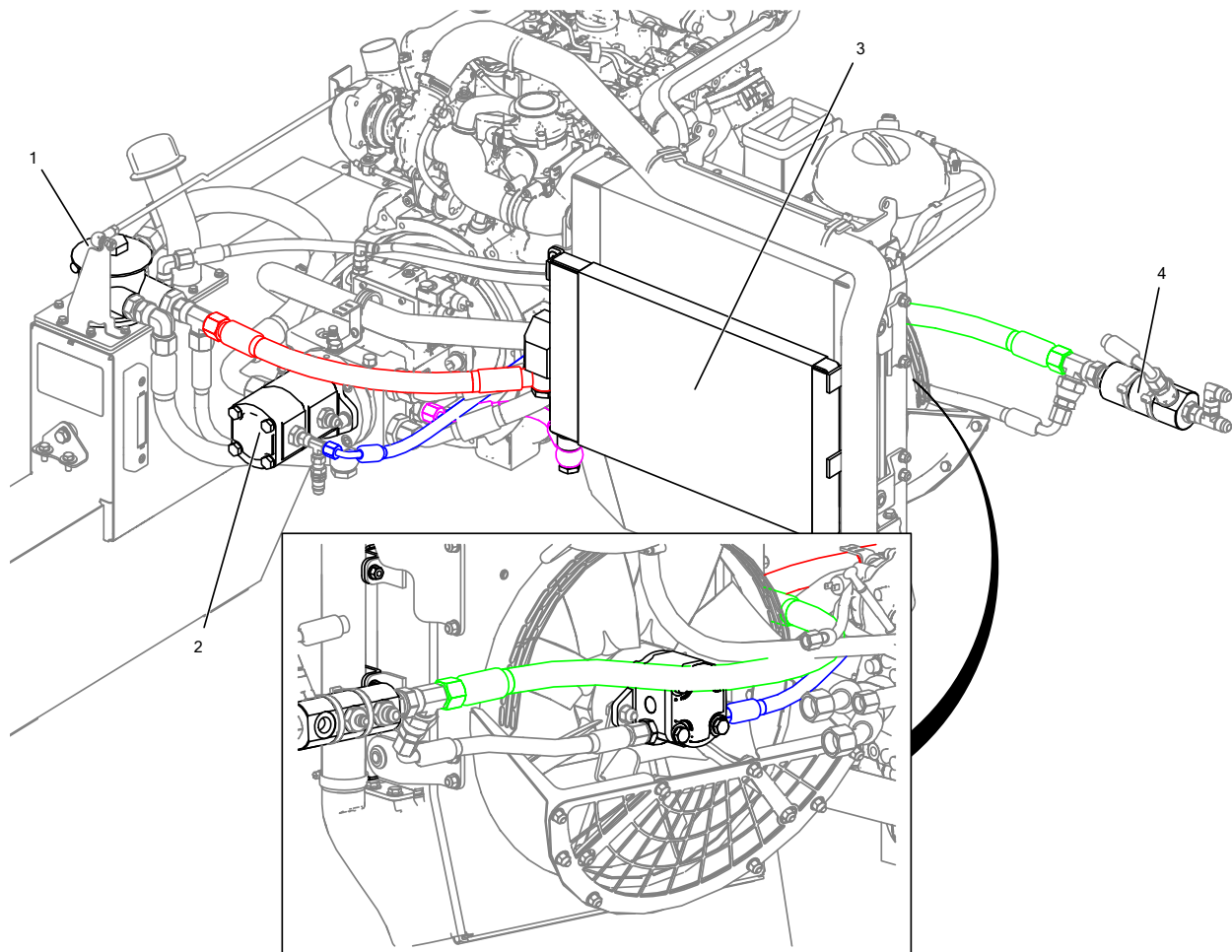


Figure 212: LM1-106-222 OIL COOLER

ITEM	PART NUMBER	QTY	DESCRIPTION	NOTES
1	YFILTER1	1	HYDRAULIC COMBINATION FILTER	
2	YPUMP19	1	14-6 CC/REV TANDEM PUMP	
3	LM1-617-21	1	HATZ T4F / STAGE 5 HYDRAULIC OIL COOLER	
4	LM1-720-20	1	6-PORTR MANIFOLD PREPPED WITH FASTENERS	

Table 126: LM1-106-222 OIL COOLER BOM

Valid for truck 855-713 to date

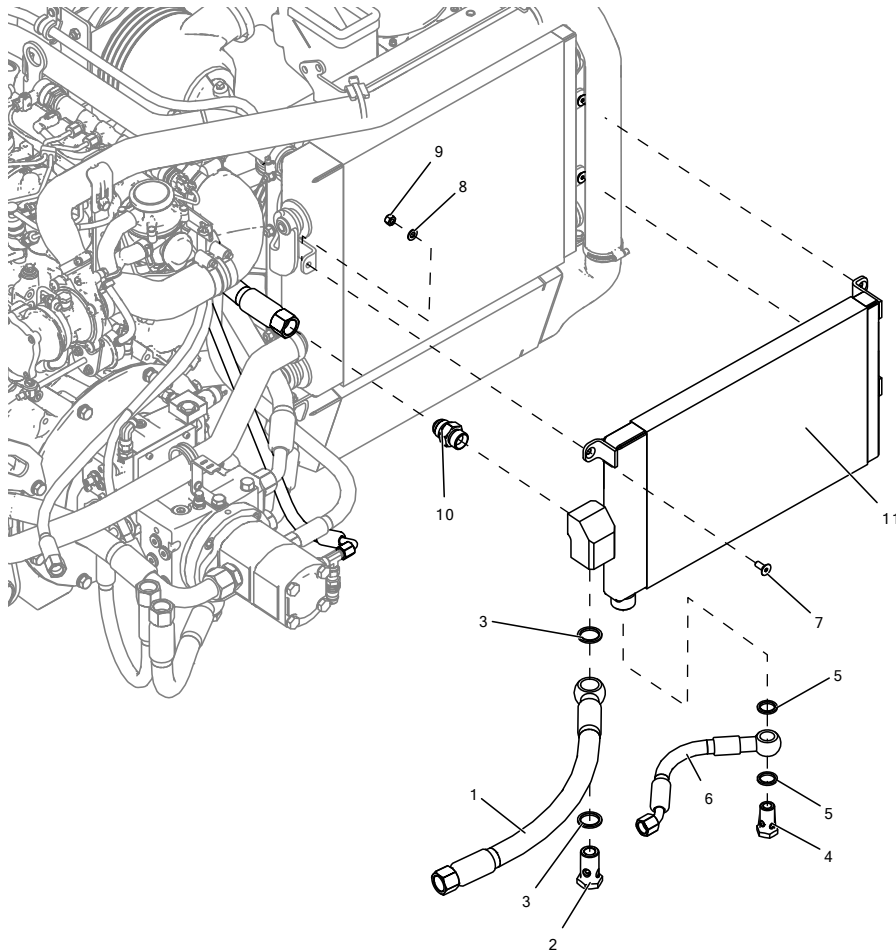


Figure 213: LM1-106-222 OIL COOLER DETAIL

ITEM	PART NUMBER	QTY	DESCRIPTION	NOTES
1	LM1-700-J253	1	JIC Oil Cooler Mid Port to Combo Filter Inlet Tee	
2	YHA3.4BB	1	3/4" BSP BANJO BOLT	
3	YHS3/4D	2	3/4" BSP DOWTY WASHER	
4	YHA1.2BB	1	1/2" BSP BANJO BOLT	
5	YHS1/2D	2	1/2" BSP DOWTY WASHER	
6	LM1-700-J254	1	TRANSMISSION DRAIN TO OIL COOLER	
7	XCSK08020SKTZB	3	M8 X 20 CSUNK SCREW 8.8	
8	XW08AZ	3	M8 FORM A WASHER	
9	XN08Z	3	M8 HEX NUTSERT	
10	YHA3.4-1.1.16J	1	3/4" BSP M W/ SEAL TO 1 1/16J-10 M	
11	LM1-617-21	1	HATZ T4F / STAGE 5 HYDRAULIC OIL COOLER PREVIOUS GENERATION OIL COOLING LM1-617-00 HAS 2 BANJO CONNECTIONS - CHECK WITH DEALER	

Table 127: LM1-106-222 OIL COOLER DETAIL BOM



## CHAPTER7: HARD RIDE SETUP

SPECIFICALLY FOR VEHICLES USING HARD RIDE / SLIDING BOX MOUNTING ONTO HOST VEHICLE

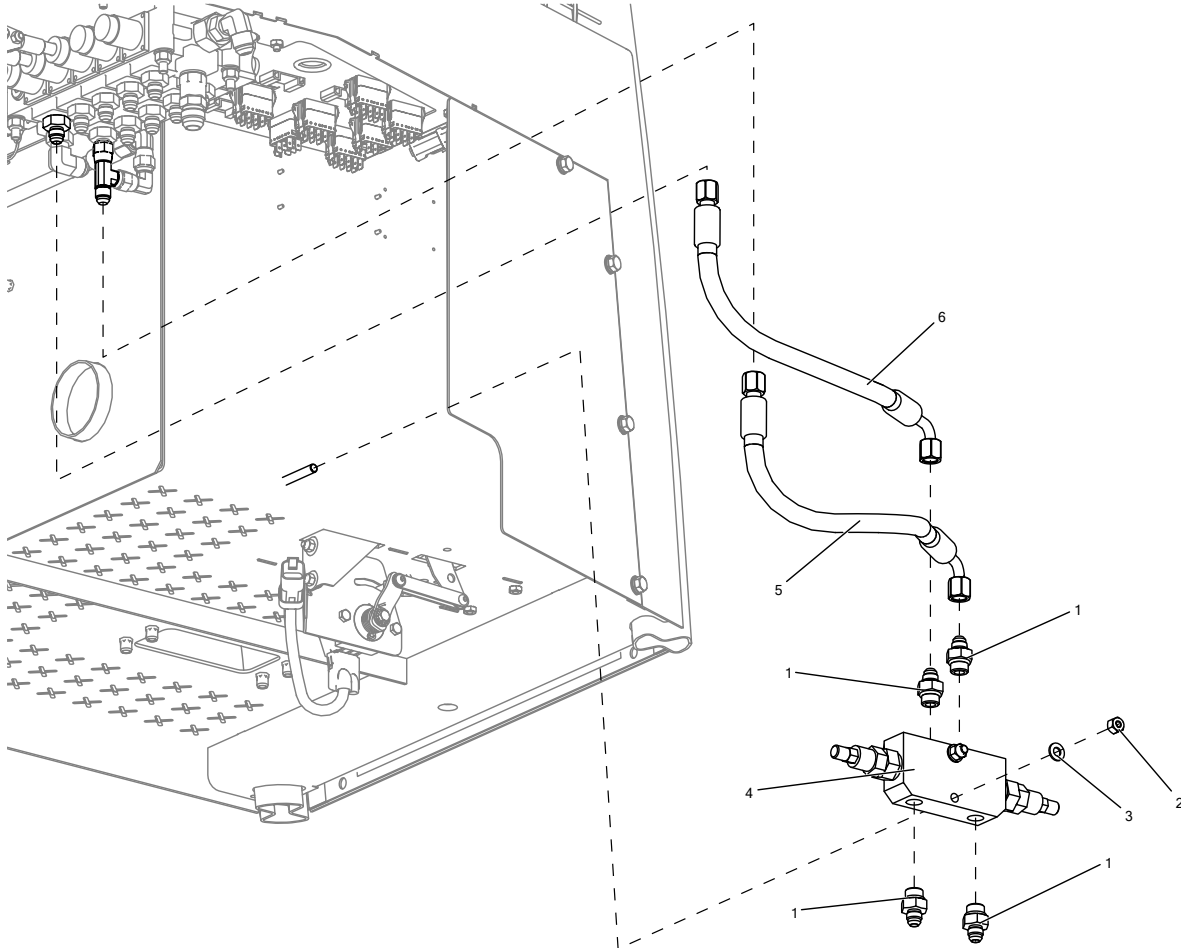


Figure 214: LM1-714-20 HARD RIDE SETUP

ITEM	PART NUMBER	QTY	DESCRIPTION	NOTES
1	YHA3.8-9.16J	4	3/8" BSP M W/ SEAL TO 9/16J-18 M	
2	XN08N	2	M8 NYLOC NUT	
3	XW08AZ	4	M8 FORM A WASHER	
4	YVALVE21	1	DOUBLE COUNTERBALANCE VALVE	
5	LM1-700-J331	1	LEVER BANK POSITION 1 FRONT TO OC VALVE (V2)	
6	LM1-700-J330	1	LEVER BANK POSITION 1 FRONT TO OC VALVE (V1)	

Table 128: LM1-714-20 HARD RIDE SETUP - BOM

## CHAPTER8: FIGURES

Figure 1: CHAPTERS .....	6
Figure 2: LM1-160-100 –CHASSIS ASSEMBLY .....	13
Figure 3 LM1-100-440 BOLT ON STEP .....	15
Figure 4: LM1-107-100 CHAIN PIN ASSEMBLY .....	16
Figure 5: LM1-906-500 LH CHASSIS CHAIN HOOK ASSEMBLY .....	17
Figure 6: LM1-906-400 RH CHASSIS CHAIN HOOK ASSEMBLY .....	18
Figure 7: LM1-100-270 CORNER GUARD .....	19
Figure 8: LM1-602-750 DIESEL TANK COMPLETE WITH MOUNTINGS .....	21
Figure 9: LM1-602-750 DIESEL TANK COMPLETE WITH MOUNTINGS – BOM .....	22
Figure 10: LM1-100-500 CAB MOUNTS .....	23
Figure 11: LM1-106-330 REAR CHASSIS LOUVRE COMPLETE .....	24
Figure 12: LM1-125-100 BONNET HINGE ASSEMBLY .....	26
Figure 13: LM1-100-610 BONNET LATCH .....	27
Figure 14: LM1-870-10 BATTERY AND MOUNTING ASSEMBLY .....	28
Figure 15: YMOUNTS AND 6 ENGINE MOUNTS .....	30
Figure 16: LM1-800-10 SUZI SOCKET .....	31
Figure 17: CHASSIS WITH BEEPER HORN AND VALANCE – STANDARD MASTS .....	32
Figure 18: BEEPER AND HORN .....	33
Figure 19: LM1-100-72 LH VALANCE .....	34
Figure 20: LM1-100-73 RH VALANCE .....	35
Figure 21: LM1-160-300 CHASSIS WITH BEEPER HORN AND VALANCE – CAM MASTS .....	36
Figure 22: BEEPER AND HORN ASSEMBLY - CAM MASTS .....	37
Figure 23: LM1-100-70 LH VALANCE – CAM MAST .....	38
Figure 24: LM1-100-71 RH VALANCE - CAM MASTS .....	39
Figure 25: LM1-100-55/56 BASH PLATES .....	40
Figure 26: LM1-100-700 CHASSIS TO MAST CARRIAGE CYLINDERS .....	41
Figure 27: LM1-710-02 HYDRAULIC OIL TANK ASSEMBLY JIC .....	42
Figure 28: LM1-710-02 HYDRAULIC OIL TANK BOLTING .....	43
Figure 29: LM1-710-02 HYDRAULIC OIL TANK JIC SUB ASSEMBLIES .....	44
Figure 30: LM1-101-100 CARRIAGE HOSE RETAINER COMPLETE .....	46
Figure 31: LM1-721-00 HYDRAULIC AUXILIARY PLATE ASSEMBLY MASTER .....	48
Figure 32: LM1-100-900 AUXILIARY PLATE STANDARD .....	49
Figure 33: LM1-720-12 STEERING PRIORITY VALVE ASSEMBLY (LM1-720-11 METRIC) .....	51
Figure 34: LM1-720-22 RETURN MANIFOLD ASSEMBLY JIC .....	52
Figure 35: LM1-720-22 RETURN MANIFOLD JIC ASSEMBLY .....	53
Figure 36: LM1-720-32 ISR DIVERTER .....	54
Figure 37: ISR DIVERTER VALVE TO CARRIAGE CYLINDERS .....	55
Figure 38: LM1-720-32 ISR DIVERTER ASSEMBLY .....	56
Figure 39: LM1-720-42 ISR RELIEF VALVE JIC .....	57
Figure 40: LM1-720-42 ISR RELIEF VALVE JIC ASSEMBLY .....	58
Figure 41: LM1-720-52 4-WAY STEERING YBLOCK5 JIC .....	59
Figure 42: LM1-720-52 4-WAY STEERING YBLOCK5 JIC ASSEMBLY .....	60
Figure 43: YBLOCK5 ARRANGEMENT .....	61
Figure 44: 400BAR ISR RELIEF VALVE JIC .....	63
Figure 45: LM1-720-82 400BAR ISR RELIEF VALVE JIC ASSEMBLY .....	64
Figure 46: LM1-825-61 4-WAY LOOM WITH INTERLOCK JIC .....	65
Figure 47: LM1-825-61 4-WAY LOOM WITH INTERLOCK JIC - RELAYS .....	66
Figure 48: LM1-310-10 REAR STEER MOTOR JIC 4-WAY .....	67

## Valid for truck 855-713 to date

Figure 49: LM1-310-10 REAR STEER MOTOR BOLT SCHEME .....	68
Figure 50: Chassis lights general layout .....	69
Figure 51: Chassis lights .....	70
Figure 52: LM1-860-00 USA-CAN SIDE MARKER LIGHTS.....	71
Figure 53 USA/CAN – REAR AND SIDE LIGHT WIRING RHS .....	72
Figure 54: USA/CAN – REAR AND SIDE LIGHT WIRING LHS .....	73
Figure 55: UK/AUS/EU – REAR AND SIDE LIGHT WIRING RHS .....	74
Figure 56: UK/AUS/EU – REAR AND SIDE LIGHT WIRING LHS.....	75
Figure 57: BONNET WITHOUT MARKER LIGHT .....	78
Figure 58: BONNET WITH MARKER LIGHT .....	78
Figure 59: LM1-125-85 BONNET ASSEMBLY TO CHASSIS.....	79
Figure 60: LM1-125-85 BONNET LIGHTS AND WIRING.....	81
Figure 61: LM1-106-711 CENTRE BONNET COMPLETE WITH MARKER LIGHTS.....	82
Figure 62: LM1-814-00 TO LM1-860-00 RHS JUNCTION BOX .....	84
Figure 63: LM1-106-300 CENTRE GRILL COMPLETE.....	85
Figure 64: LM1-106-310 4-WAY SENSOR ON GRILL ASSEMBLY .....	86
Figure 65: LM1-296-10 4-WAY MAST MONITOR PICKUP PLATE ASSEMBLY: .....	87
Figure 66: LM1-296-10 4-WAY MAST MONITOR PICKUP PLATE ASSEMBLY: - BOM .....	87
Figure 67: LM1-31-00 USA REAR WHEEL ASSEMBLY - GENERIC .....	91
Figure 68: LM1-31-00 USA REAR WHEEL ASSEMBLY - GENERIC – DETAIL.....	93
Figure 69: LM1-31-00 2-WAY REAR WHEEL LAYOUT .....	96
Figure 70: LM1-700-J202 TO YBLOCK18 [B-REAR] .....	97
Figure 71: LM1-700-J203 TO YBLOCK18 [CD-REAR] .....	97
Figure 72: LM1-700-J204 TO YBLOCK18 [BK-REAR] CAMERA .....	98
Figure 73: LM1-700-J202 TO YBLOCK18 [A-REAR] .....	98
Figure 74 LM1-31-00 4-WAY REAR WHEEL LAYOUT .....	100
Figure 75: LM1-700-J202 TO YBLOCK3 [B-REAR] .....	101
Figure 76: LM1-700-J203 TO YBLOCK3 [CD-REAR] .....	101
Figure 77: LM1-700-J204 TO YBLOCK3 [BK-REAR] .....	102
Figure 78: LM1-700-J202 TO YBLOCK3 [A-REAR] .....	102
Figure 79: FRONT WHEEL KIT.....	104
Figure 80: LM1-440-20 LHS FRONT WHEEL ASSEMBLY.....	105
Figure 81: LM1-440-20 LHS FRONT HYDRAULICS - LM1-700-J215 TO YBLOCK18 [A-LEFT].....	107
Figure 82: LM1-440-20 LHS FRONT HYDRAULICS - LM1-700-J215 TO YBLOCK18 [B-LEFT].....	107
Figure 83: LM1-440-20 LHS FRONT HYDRAULICS - LM1-700-J216.....	108
Figure 84: LM1-350-10 STABILISER LEG LHS TOP PORT .....	109
Figure 85: LM1-350-10 STABILISER LEG LHS BOTTOM PORT .....	109
Figure 86: LM1-440-20 RHS FRONT WHEEL ASSEMBLY .....	111
Figure 87: LM1-440-20 RHS FRONT HYDRAULICS - LM1-700-J314 TO YBLOCK18 [A-RIGHT] .....	113
Figure 88: LM1-440-20 RHS FRONT HYDRAULICS - LM1-700-J214 TO YBLOCK18 [B-RIGHT].....	113
Figure 89: LM1-440-20 RHS FRONT HYDRAULICS - LM1-700-J315 TO YBLOCK18 [CDR] .....	114
Figure 90: LM1-370-05 STABALISER LEG RHS TOP PORT.....	115
Figure 91: LM1-370-05 STABALISER LEG RHS BOTTOM PORT.....	115
Figure 92: 4-WAY SHORT USA - CAN FRONT WHEEL KIT .....	117
Figure 93: 4-WAY SHORT RHS WHEEL ASSEMBLY .....	119
Figure 94: LM1-341-10 4-WAY SHORT RHS WHEEL ASSEMBLY – BOM.....	121
Figure 95: JIC - LM1-440-20 RHS FRONT HYDRAULICS LM1-700-J314 TO YBLOCK3 [A-RIGHT] 4 WAY CONFIGURATION.....	121
Figure 96: JIC - LM1-440-20 RHS FRONT HYDRAULICS LM1-700-J214 TO YBLOCK3 [B-RIGHT] 4 WAY CONFIGURATION.....	122

## Valid for truck 855-713 to date

Figure 97: JIC - LM1-440-20 RHS FRONT HYDRAULICS LM1-700-J315 TO YBLOCK3 [CDR] 4 WAY CONFIGURATION .....	123
Figure 98: JIC - LM1-370-05 STABILISER LEG RHS TOP PORT 4 WAY CONFIGURATION .....	124
Figure 99: JIC - LM1-370-05 STABILISER LEG RHS BOTTOM PORT 4 WAY CONFIGURATION .....	124
Figure 100: LM1-702-30 METRIC RHS FRONT HYDRAULICS LM1-700-M314 TO YBLOCK3 [A-RIGHT] 4 WAY CONFIGURATION.....	126
Figure 101: LM1-702-30 METRIC RHS FRONT HYDRAULICS LM1-700-M214 TO YBLOCK3 [B-RIGHT] 4 WAY CONFIGURATION.....	126
Figure 102: LM1-702-30 METRIC RHS FRONT HYDRAULICS LM1-700-M315 TO YBLOCK3 [CDR] 4 WAY CONFIGURATION.....	127
Figure 103: LM1-702-30 METRIC - STABALIZER LEG RHS TOP PORT 4-WAY.....	128
Figure 104: LM1-702-30 METRIC - STABALIZER LEG RHS BOTTOM PORT 4-WAY.....	128
Figure 105: LM1-340-10 4-WAY SHORT LHS WHEEL ASSEMBLY .....	129
Figure 106: JIC - LM1-340-10 LHS FRONT HYDRAULICS - LM1-700-J215 TO YBLOCK3 [A-LEFT] 4 WAY CONFIGURATION.....	131
Figure 107: JIC - LM1-340-10 LHS FRONT HYDRAULICS - LM1-700-J215 TO YBLOCK3 [B-LEFT] 4 WAY CONFIGURATION.....	131
Figure 108: JIC - LM1-340-10 LHS FRONT HYDRAULICS LM1-700-J216 TO YBLOCK3 [CDL] 4 WAY CONFIGURATION.....	132
Figure 109: JIC - LM1-350-10 STABILISER LEG LHS TOP PORT 4 WAY CONFIGURATION.....	133
Figure 110: JIC - LM1-350-10 STABILISER LEG LHS BOTTOM PORT 4 WAY CONFIGURATION .....	133
Figure 111: LM1-702-30 METRIC LHS FRONT HYDRAULICS - LM1-700-M215 TO YBLOCK3 [A-LEFT] 4 WAY CONFIGURATION.....	134
Figure 112: LM1-702-30 METRIC LHS FRONT HYDRAULICS - LM1-700-M215 TO YBLOCK3 [B-LEFT] 4 WAY CONFIGURATION.....	134
Figure 113: LM1-702-30 METRIC LHS FRONT HYDRAULICS - LM1-700-M216 TO YBLOCK3 [CDL] 4 WAY CONFIGURATION.....	135
Figure 114: 4-WAY CYLINDER HOSES JIC .....	136
Figure 115: 4 WAY CYLINDER HOSES METRIC .....	137
Figure 116: LM1-20-10 3.1M MAST ASSEMBLY .....	140
Figure 117: LM1-20-10 3.1M MAST ASSEMBLY - MAIN PARTS .....	141
Figure 118: LM1-202-50 STAGE 1 MAST 3.1M .....	142
Figure 119: YCHAINKIT1 .....	144
Figure 120: LM1-204-00 STAGE 2 MAST 3.1M .....	146
Figure 121: 3.1M LIFT CYLINDER HOSE DETAIL JIC.....	150
Figure 123: LM1-21-10 3.6M MAST ASSEMBLY .....	154
Figure 124: LM1-232-50 STAGE 1 MAST 3.6M .....	157
Figure 125: YCHAINKIT2 .....	159
Figure 126: LM1-223-03 STAGE 2 MAST 3.6M .....	161
Figure 127: LM1-21-10 YCHAINKIT2 ARRANGEMENT .....	163
Figure 128: 3.6M LIFT CYLINDER HOSE DETAIL JIC.....	165
Figure 130: LM1-24-00 STAGE 3 MAST COMMON .....	168
Figure 131: LM1-24-00 3RD STAGE BODY TO ISR PARTS .....	170
Figure 132: LM1-24-00 FORK CARRIAGE.....	172
Figure 133: LM1-24-00 SHORT ISR TO TILT CARRIAGE .....	174
Figure 134: LM1-24-00 LONG ISR TO SHORT ISR .....	176
Figure 135: TILT CYLINDER HOSE CONNECTIONS ARRANGEMENT .....	179
Figure 136: ISR CYLINDER HOSE CONNECTIONS ARRANGEMENT .....	180
Figure 137: SIDESHIFT CYLINDER HOSE CONNECTIONS ARRANGEMENT .....	181
Figure 138: 3.1M CAM MAST.....	183
Figure 139: 3.1M CAM MAST MAIN COMPONENTS .....	184

## Valid for truck 855-713 to date

Figure 140: LM1-202-95 1 <sup>ST</sup> STAGE CAM 3.1M .....	185
Figure 141: 3.1M CAM MAST LIFT CYLINDER HOSE DETAIL .....	189
Figure 142: CAM CYLINDER HOSE CONFIGURATION (3.1M AND 3.6M MASTS) .....	190
Figure 144: 3.6M CAM MAST.....	192
Figure 145: LM1-232-95 1ST STAGE CAM 3.6M.....	193
Figure 146: 3.6M CAM MAST LIFT CYLINDER HOSE DETAIL .....	197
Figure 147: CAM CYLINDER HOSE CONFIGURATION (3.1M AND 3.6M MASTS) .....	198
Figure 149: LM1-50-00 FULL CAB .....	200
Figure 150: LM1-500-130 COMFORT SEAT ASSEMBLY .....	203
Figure 151: LM1-500-100 SUSPENSION SEAT .....	205
Figure 152 LM1-500-70 THROTTLE PEDAL ASSEMBLY .....	208
Figure 153: LM1-705-00 EBI HYDRAULIC DRIVE PEDAL TO CAB FLOOR.....	209
Figure 154: LM1-705-20 EBI HYDRAULIC DRIVE PEDAL JIC.....	210
Figure 155: LM1-501-103 COMMON CAB MAIN PARTS.....	212
Figure 156: LM1-501-97 CAB FRAME WITH ROOF AND DECALS .....	213
Figure 157: LM1-501-97 CAB DECALS 2 .....	215
Figure 158: LM1-501-120 CAB VENT COVER PLATE WITH FASTENERS .....	216
Figure 159: LM1-501-124 DUMP VALVE SWITCH PLATE KIT .....	217
Figure 160: LM1-500-500 YSWITCH48 DUMP VALVE SWITCH .....	218
Figure 161: LM1-501-126 SIDE PANEL .....	219
Figure 162: DUMP VALVE ASM JIC & HOSES ( <b>MODEL NUMBER UP TO 855-959</b> ) .....	220
Figure 163: DUMP VALVE WITH FIXINGS AND HOSES JIC ( <b>MODEL NUMBER 855-960 ONWARDS</b> ).....	221
Figure 164: LM1-501-125 DOCUMENT HOLDER.....	222
Figure 165: LM1-501-130 ARM REST GUARD .....	223
Figure 166: LM1-501-128 FRONT COVER PANEL ASSEMBLY .....	225
Figure 167 LM1-500-54 CAB DASH COVER PANEL WITH SEAL AND DECAL .....	226
Figure 168: LM1-840-01 FRONT LIGHT ASSEMBLY.....	227
Figure 169: LM1-840-03 ORANGE BEACON LIGHT.....	229
Figure 170: LM8SBWB SEATBELT BEACON WARNING KIT.....	231
Figure 171 LM1-840-06 DASHBOARD FUSEBOX ASSEMBLY.....	233
Figure 172: LM1-840-04 YFUSEBOX2 FUSES STANDARD ACCESSORIES – 2 WAY .....	234
Figure 173: LM1-840-05 YFUSEBOX2 FUSES STANDARD ACCESSORIES – 4 WAY .....	235
Figure 174: YDISPLAY1 DISPLAY SCREEN .....	236
Figure 175: YKEY1 IGNITION KEY SWITCH.....	237
Figure 176: YLIGHT53 GLOW PLUG LIGHT .....	238
Figure 177: LM1-500-16 MAIN SWITCH PANEL GENERIC .....	240
Figure 178: LM1-516-30 MAIN SWITCH PANEL USA-CAN 2-WAY .....	241
Figure 179: LM1-516-40 MAIN SWITCH PANEL USA-CAN 4-WAY .....	243
Figure 180: LM1-516-40 MAIN SWITCH PANEL USA-CAN 4-WAY - BOM .....	244
Figure 181: LM1-516-50 MAIN SWITCH PANEL AUS 2-WAY.....	245
Figure 182: LM1-516-60 MAIN SWITCH PANEL AUS 4-WAY.....	247
Figure 183: LM1-516-60 MAIN SWITCH PANEL AUS 4-WAY.....	249
Figure 184: LM1-516-20 MAIN SWITCH PANEL UK 4-WAY.....	251
Figure 185: LM1-730-02 JIC LEVER CONTROL STANDARD .....	254
Figure 186: LM1-730-01 METRIC LEVER CONTROL STANDARD .....	256
Figure 187: LM1-730-01 METRIC LEVER CONTROL STANDARD - BOM .....	257
Figure 188: LEVER CONTROL ASM WITH AUXILLIARY LEVER SWITCH (ALL OTHER LEVERS REMAIN UNCHANGED FROM STANDARD ARRANGEMENT).....	258
Figure 189: LM1-709-20 ISR DOUBLE COUNTERBALANCE D.C.B) VALVE ASM JIC AND HOSES.....	259
Figure 190: LM1-740-02 JIC STEERING PUMP AND COLUMN ASM .....	261
Figure 191: LM1-840-13 CAB WORKLIGHTS LED 4-WAY FRONT .....	263

## Valid for truck 855-713 to date

Figure 192: LM1-840-13 CAB WORKLIGHTS LED 4-WAY FRONT ROOF .....	264
Figure 193: LM1-840-13 CAB WORKLIGHTS LED 4-WAY REAR.....	265
Figure 194: LM1-860-90 USA ILLUMINATED NUMBER PLATE .....	267
Figure 195: LM1-850-95 AUS ILLUMINATED NUMBER PLATE HOLDER WITH FASTENERS .....	268
Figure 196: LM1-850-90 UK ILLUMINATED NUMBER PLATE HOLDER WITH FASTENERS: .....	269
Figure 197: YLIGHT40 CAB REAR CORNER LIGHT LM1-815-00 .....	271
Figure 198: LM1-815-00 SIDE MARKER LIGHT LOOM .....	272
Figure 199: LM1-604-20 HATZ ENGINE TIER 4 FINAL T4F COMPLETE.....	274
Figure 200: LM1-604-50 COMMON HATZ ENGINE DRESSINGS .....	275
Figure 201: LM1-604-50 ENGINE MOUNT BRACKETS.....	276
Figure 202: LM1-604-50 BELL HOUSING AND OTHER BRACKETS .....	277
Figure 203: LM1-604-50 FUEL AND COOLANT CONNECTIONS .....	278
Figure 204: LM1-604-50 FUEL AND COOLANT CONNECTION DETAIL .....	279
Figure 205: LM1-604-02 HATZ TIER 4 FINAL ENGINE .....	281
Figure 206: LM1-604-02 COMMON ENGINE PARTS.....	282
Figure 207: LM1-600-59 DOC HEAT SHEILD .....	284
Figure 208: LM1-600-60 INTAKE RUNNER ADAPTER .....	285
Figure 209: LM1-106-220 HATZ ENGINE COOLING SYSTEM .....	286
Figure 210: LM1-106-220 HATZ ENGINE COOLING SYSTEM FAN ASSEMBLY .....	287
Figure 211: LM1-106-220 HATS ENGINE COOLING SYSTEM PIPEWORK .....	289
Figure 212: LM1-106-220 COOLANT EXPANSION TANK.....	290
Figure 213: LM1-606-100 AIR FILTER HOUSING.....	291
Figure 214: LM1-708-20 HYDROSTATIC TRANSMISSION PUMP.....	292
Figure 215: LM1-708-20 HYDROSTATIC TRANSMISSION PUMP DETAIL.....	293
Figure 216: LM1-106-222 OIL COOLER .....	295
Figure 217: LM1-106-222 OIL COOLER DETAIL .....	296
Figure 218: LM1-714-20 HARD RIDE SETUP.....	297

## CHAPTER9: TABLES

Table 1: LM1-160-100 - CHASSIS ASSEMBLY - BOM .....	14
<i>Table 2: LM1-100-440 BOLT ON STEP .....</i>	<i>15</i>
Table 3: LM1-107-100 CHAIN PIN ASSEMBLY .....	16
Table 4: LM1-906-500 LH CHASSIS CHAIN HOOK ASSEMBLY .....	17
<i>Table 5: LM1-906-400 RH CHASSIS CHAIN HOOK ASSEMBLY - BOM .....</i>	<i>18</i>
Table 6: LM1-100-270 CORNER GUARD - BOM.....	19
Table 7: LM1-100-500 CAB MOUNTS - BOM.....	23
Table 8: LM1-106-330 REAR CHASSIS LOUVRE COMPLETE - BOM.....	24
Table 9: LM1-125-100 BONNET HINGE ASSEMBLY – BOM .....	26
<i>Table 10: LM1-100-610 BONNET LATCH - BOM .....</i>	<i>27</i>
Table 11: LM1-870-10 BATTERY AND MOUNTING ASSEMBLY – BOM .....	29
Table 12: YMOUNT5 AND 6 ENGINE MOUNTS - BOM .....	30
<i>Table 13: LM1-800-10 SUZI SOCKET - BOM.....</i>	<i>31</i>
Table 14: CHASSIS WITH BEEPER HORN AND VALANCE– STANDARD MASTS - BOM .....	32
Table 15: BEEPER AND HORN - BOM .....	33
Table 16: LM1-100-72 LH VALANCE - BOM .....	34
Table 17: LM1-100-73 RH VALANCE - BOM .....	35
Table 18: LM1-160-300 CHASSIS WITH BEEPER HORN AND VALANCE – CAM MASTS - BOM .....	36
Table 19: BEEPER AND HORN ASSEMBLY - CAM MASTS - BOM.....	37
Table 20: LM1-100-70 LH VALANCE – CAM MAST - BOM .....	38
Table 21: LM1-100-71 RH VALANCE - CAM MASTS - BOM.....	39
Table 22: LM1-100-55/56 BASH PLATES BOM.....	40
Table 23: LM1-100-700 CHASSIS TO MAST CARRIAGE CYLINDERS BOM .....	41
Table 24: LM1-710-02 HYDRAULIC OIL TANK BOLTING – BOM .....	43
Table 25: LM1-710-02 HYDRAULIC OIL TANK JIC SUB ASSEMBLIES - BOM .....	45
Table 26: LM1-101-100 CARRIAGE HOSE RETAINER COMPLETE BOM .....	46
Table 27: LM1-100-900 AUXILIARY PLATE STANDARD – BOM .....	49
Table 28: LM1-720-12 PRIORITY VALVE LOCATION .....	50
Table 29: LM1-720-12 STEERING PRIORITY VALVE ASSEMBLY (LM1-720-11 METRIC) - BOM.....	51
Table 30: LM1-720-22 RETURN MANIFOLD JIC ASSEMBLY – BOM .....	53
Table 31: LM1-720-32 ISR DIVERTER JIC ASSEMBLY - BOM .....	56
Table 32: LM1-720-42 ISR RELIEF VALVE JIC ASSEMBLY – BOM .....	58
Table 33: LM1-720-52 4-WAY STEERING YBLOCK5 JIC ASSEMBLY - BOM .....	60
<i>Table 34: YBLOCK5 ARRANGEMENT BOM.....</i>	<i>61</i>
<i>Table 35: LM1-720-82 400BAR ISR RELIEF VALVE JIC ASSEMBLY.....</i>	<i>64</i>
<i>Table 36: LM1-310-10 REAR STEER MOTOR BOLT SCHEME .....</i>	<i>68</i>
Table 37: Chassis lights - BOM .....	70
Table 38: LM1-860-00 USA-CAN SIDE MARKER LIGHTS - BOM .....	71
Table 39: LM1-125-85 BONNET ASSEMBLY TO CHASSIS BOM .....	80
Table 40: LM1-125-85 BONNET LIGHTS AND WIRING BOM .....	81
Table 41: LM1-106-711 CENTRE BONNET COMPLETE WITH MARKER LIGHTS BOM .....	83
Table 42: LM1-106-300 CENTRE GRILL COMPLETE BOM .....	85
Table 43: LM1-106-310 4-WAY SENSOR ON GRILL ASSEMBLY BOM .....	86
Table 44: LM1-31-00 USA REAR WHEEL ASSEMBLY – DETAIL - BOM .....	94
Table 45: LM1-40-20 2-WAY SHORT USA - CAN FRONT WHEEL KIT – BOM .....	104
<i>Table 46: LM1-440-20 LHS FRONT WHEEL ASSEMBLY - BOM .....</i>	<i>106</i>
Table 47: LM1-440-20 RHS FRONT WHEEL ASSEMBLY – BOM.....	112
Table 48: LM1-45-10 4-WAY SHORT USA - CAN FRONT WHEEL KIT - BOM.....	117

## Valid for truck 855-713 to date

Table 49: LM1-340-10 4-WAY SHORT LHS WHEEL ASSEMBLY - BOM .....	130
Table 50: LM1-20-10 3.1M MAST ASSEMBLY - MAIN PARTS - BOM: .....	141
Table 51: YCHAINKIT1 BOM .....	145
Table 52: LM1-204-00 STAGE 2 MAST 3.1M - BOM .....	147
Table 53: 3.1M LIFT CYLINDER HOSE DETAIL JIC - BOM .....	151
Table 55: LM1-21-10 3.1M MAST ASSEMBLY - MAIN PARTS - BOM: .....	155
Table 56: LM1-232-50 STAGE 1 MAST 3.6M - BOM .....	158
Table 57: YCHAINKIT2 BOM .....	160
Table 58: LM1-205-00 STAGE 2 MAST 3.6M - BOM .....	162
Table 59: 3.6M LIFT CYLINDER HOSE DETAIL JIC - BOM .....	166
Table 61: LM1-24-00 STAGE 3 MAST COMMON - BOM .....	168
Table 62: LM1-24-00 3RD STAGE BODY TO ISR PARTS – BOM.....	171
Table 63: LM1-24-00 FORK CARRIAGE – BOM .....	172
Table 64: LM1-24-00 SHORT ISR TO TILT CARRIAGE - BOM .....	175
Table 65: LM1-24-00 LONG ISR TO SHORT ISR - BOM .....	177
Table 66: TILT CYLINDER HOSE CONNECTIONS ARRANGEMENT - BOM .....	179
Table 67: ISR CYLINDER HOSE CONNECTIONS ARRANGEMENT - BOM.....	180
Table 68: SIDESHIFT CYLINDER HOSE CONNECTIONS ARRANGEMENT - BOM .....	181
Table 69: LM1-202-95 1ST STAGE CAM BOM.....	186
Table 70: CHAINKITS ON CAM MAST .....	187
Table 71: 3.1M CAM MAST LIFT CYLINDER HOSE DETAIL BOM .....	189
Table 72: CAM CYLINDER HOSE CONFIGURATION (3.1M AND 3.6M MASTS) BOM.....	191
Table 74: LM1-232-95 1ST STAGE CAM BOM.....	194
Table 75: CHAINKITS ON CAM MAST .....	195
Table 76: 3.6M CAM MAST LIFT CYLINDER HOSE DETAIL BOM .....	197
Table 77: CAM CYLINDER HOSE CONFIGURATION (3.1M AND 3.6M MASTS) BOM.....	198
Table 79: LM1-500-130 COMFORT SEAT ASSEMBLY – BOM .....	204
Table 80: Table 80: LM1-500-100 SUSPENSION SEAT - BOM .....	206
Table 81: LM1-705-00 EBI HYDRAULIC DRIVE PEDAL TO CAB FLOOR – BOM .....	209
Table 82: LM1-705-20 EBI HYDRAULIC DRIVE PEDAL JIC - BOM .....	210
Table 83: LM1-501-103 COMMON CAB MAIN PARTS - BOM.....	212
Table 84: LM1-501-97 CAB FRAME WITH ROOF AND DECALS BOM.....	214
Table 85: LM1-501-97 CAB DECALS 2 BOM .....	215
Table 86: LM1-501-120 CAB VENT COVER PLATE WITH FASTENERS – BOM .....	216
Table 87: LM1-501-124 DUMP VALVE SWITCH PLATE KIT - BOM.....	217
Table 88: LM1-707-30 DUMP VALVE ASM JIC & HOSES (MODEL NUMBER UP TO 855-959) - BOM.....	220
Table 89: LM1-707-70 DUMP VALVE WITH FIXINGS AND HOSES JIC ( <b>MODEL NUMBER 855-960 ONWARDS</b> ) ..	221
Table 90: LM1-501-125 DOCUMENT HOLDER - BOM .....	222
Table 91: LM1-501-130 ARM REST GUARD – BOM.....	223
Table 92: LM1-501-128 FRONT COVER PANEL ASSEMBLY – BOM.....	225
Table 93: LM1-500-54 CAB DASH COVER PANEL WITH SEAL AND DECAL.....	226
Table 94: LM1-840-01 FRONT LIGHT ASSEMBLY – BOM .....	227
Table 95: LM1-840-03 ORANGE BEACON LIGHT – BOM .....	229
Table 96: LM8SBWB SEATBELT BEACON WARNING KIT - BOM .....	231
Table 97: LM1-840-06 DASHBOARD FUSEBOX ASSEMBLY .....	233
Table 98: LM1-840-04 YFUSEBOX2 FUSES STANDARD ACCESSORIES – 2 WAY - BOM .....	234
Table 99: LM1-840-05 YFUSEBOX2 FUSES STANDARD ACCESSORIES – 4 WAY - BOM .....	235
Table 100: LM1-500-16 MAIN SWITCH PANEL GENERIC – BOM .....	240
Table 101: LM1-516-30 MAIN SWITCH PANEL USA-CAN 2-WAY .....	242
Table 102: LM1-516-50 MAIN SWITCH PANEL AUS 2-WAY - BOM .....	246
Table 103: LM1-516-60 MAIN SWITCH PANEL AUS 4-WAY - BOM .....	248



## Valid for truck 855-713 to date

Table 104: LM1-516-60 MAIN SWITCH PANEL AUS 4-WAY - BOM .....	250
Table 105: LM1-516-20 MAIN SWITCH PANEL UK 4-WAY - BOM .....	252
Table 106: LM1-730-02 JIC LEVER CONTROL STANDARD – BOM .....	255
Table 107: LEVER CONTROL ASM WITH AUXILLIARY LEVER SWITCH – BOM .....	258
Table 108: LM1-709-20 ISR DOUBLE COUNTERBALANCE D.C.B) VALVE ASM JIC AND HOSES - BOM .....	259
Table 109: LM1-740-02 JIC STEERING PUMP AND COLUMN ASM – BOM.....	261
Table 110: LM1-840-13 CAB WORKLIGHTS LED 4-WAY FRONT - BOM .....	263
Table 111: LM1-840-13 CAB WORKLIGHTS LED 4-WAY FRONT ROOF – BOM.....	264
Table 112: LM1-840-13 CAB WORKLIGHTS LED 4-WAY REAR - BOM .....	265
Table 113: LM1-860-90 USA ILLUMINATED NUMBER PLATE - BOM .....	268
Table 114: LM1-850-95 AUS ILLUMINATED NUMBER PLATE HOLDER WITH FASTENERS - BOM .....	268
Table 115: LM1-850-90 UK ILLUMINATED NUMBER PLATE HOLDER WITH FASTENERS - BOM .....	269
Table 116 LM1-815-00 SIDE MARKER LIGHT LOOM – BOM.....	272
Table 117: LM1-604-50 ENGINE MOUNT BRACKETS BOM .....	276
Table 118: LM1-604-50 BELL HOUSING AND OTHER BRACKETS BOM.....	277
Table 119: LM1-604-50 FUEL AND COOLANT CONNECTION DETAIL BOM .....	280
Table 120: LM1-604-02 COMMON ENGINE PARTS .....	282
Table 121: LM1-605-45 HATZ DOWNPIPE ASSEMBLY BOM .....	283
Table 122: LM1-600-59 DOC HEAT SHEILD BOM .....	284
Table 123: LM1-600-60 INTAKE RUNNER ADAPTER BOM.....	285
Table 124: LM1-106-220 HATZ ENGINE COOLING SYSTEM FAN ASSEMBLY BOM.....	288
Table 125: LM1-106-220 HATS ENGINE COOLING SYSTEM PIPEWORK BOM.....	289
Table 126: LM1-106-220 COOLANT EXPANSION TANK BOM .....	290
Table 127: LM1-606-100 AIR FILTER HOUSING BOM .....	291
Table 128: LM1-708-20 HYDROSTATIC TRANSMISSION PUMP BOM .....	292
Table 129: LM1-708-20 HYDROSTATIC TRANSMISSION PUMP DETAIL BOM .....	294
Table 130: LM1-106-222 OIL COOLER BOM.....	295
Table 131: LM1-106-222 OIL COOLER DETAIL BOM.....	296
Table 132: LM1-714-20 HARD RIDE SETUP - BOM .....	297

## CHAPTER10: INDEX

### CHAPTER10.1: INDEX OF PART NUMBERS

PART NUMBER	DESCRIPTION	PAGE NUMBERS
02578600_DMU	ENGINE MANAGEMENT UNIT	83 282
3J0167	PEDAL - ACCELERATOR PEDAL SPRING	208
LM1-100-270	CORNER GUARD	14 19
LM1-100-44	BOLT ON STEP	15
LM1-100-440	CHASSIS STEP ASSEMBLY	14 15
LM1-100-500	CAB MOUNT ASSEMBLY	14 23
LM1-100-58	FUEL TANK INTERFACE ASSEMBLY	22
LM1-100-610	BONNET LATCH ASSEMBLY	14 27
LM1-100-72	VALANCE - STANDARD MAST LH	32 34
LM1-100-73	VALANCE - STANDARD MAST RH	32 35
LM1-100-79	COUNTERBALANCE VALVE MOUNT	259
LM1-103-62	DOC - SAFETY GUARD	284
LM1-103-66	DOC SAFETY GUARD BRACKET	284
LM1-106-108	COOLANT PIPE AND HOSE TIE POINT	289
LM1-106-130	RADIATOR SHROUD	288
LM1-106-135	RADIATOR SHROUD SEAL	288
LM1-106-136	RADIATOR TOP MOUNT LH	288
LM1-106-137	RADIATOR - TOP MOUNT RH	288
LM1-106-138	RADIATOR - LOWER MOUNT	288
LM1-106-156	FAN GRILL - WHEEL WELL	288
LM1-106-160	CENTRE FRONT GRILL	85
LM1-106-180	ECU MOUNT AND LOOM JUNCTION	83
LM1-106-200	4-WAY SENSOR MOUNT	86
LM1-106-30	LOWER LOUVRE ASSEMBLY	24
LM1-106-330	REAR CHASIS LOUVRE COMPLETE	14 24
LM1-106-44	FAN - RETAINING WASHER	288
LM1-106-70	BONNET - CENTRE	83
LM1-107-01	LOADING CHAIN PIN	16
LM1-107-03	HOSE SWIVEL BRACKET	14
LM1-107-100	CHAIN PIN ASSEMBLY	14 16
LM1-108-23	REVERSE SWITCH BANJO	294
LM1-125-10	BONNET - GRP	80
LM1-125-100	BONNET HINGE ASSEMBLY	14 26
LM1-125-15	BONNET HINGE	26
LM1-125-28	BONNET HINGE ADJUSTABLE	26
LM1-150-00	CHASSIS WELD ASSEMBLY - T4F	14
LM1-200-02	TRAILER PAD	158
LM1-200-07	LIFT CYLINDER C-SHAPE SPACER	158
LM1-202-50	MAST STAGE1 3.1M	141 142 143

Valid for truck 855-713 to date

PART NUMBER	DESCRIPTION	PAGE NUMBERS
LM1-203-102	BRACKET – BULKHEAD FITTING	190
LM1-204-00	MAST STAGE 2 3.1M	141 146 147
LM1-204-01	MAST HOSE ROLLER 6-BERTH	162
LM1-205-00	MAST STAGE 2 WELD ASSEMBLY	162 147
LM1-206-00	CHAIN ROLLER PIN	147 162
LM1-207-00	MAST STAGE 3 WELD ASSEMBLY	171
LM1-208-00	ISR LONG LINK ARM WELD ASSEMBLY	171 172 177
LM1-209-00	ISR SHORT LINK ARM WELD ASSEMBLY	171 175 177
LM1-210-03	TILT CYLINDER	175 179
LM1-210-09	SIDE SHIFT CYLINDER	172 181
LM1-210-12	FORK CARRIAGE RETAINER WASHER	172
LM1-210-14	ISR REACH CYLINDER	171 180 259
LM1-210-53	LIFT CYLINDER 3.6M	158
LM1-211-00	TILT CARRIAGE WELD ASSEMBLY	172
LM1-211-50	TILT FRAME	175
LM1-212-00	FORK CARRIAGE WELD ASSEMBLY	172
LM1-213-00	FORK CARRIAGE SLIDE PIN	172
LM1-214-00	PIN ASSEMBLY – TILT CYLINDER BOTTOM	175
LM1-216-00	SHORT LINK ISR ARM PIN ASSEMBLY	175
LM1-217-00	MAST PIN ASSEMBLY TO REACH CYLINDER	158
LM1-217-05	SIDE SHIFT PIN	172
LM1-219-00	MAST HOSE COVER PANEL	158
LM1-220-00	SHORT LINK ISR SQUARE RETAINING WASHER	175
LM1-221-14	PANTOGRAPH ARM BOSS	177
LM1-223.02	MAST STAGE 2 3.6M WELD ASSEMBLY	162
LM1-223-03	MAST STAGE 2 3.6M	155 161
LM1-224-00	HYDRAULIC HOSE CLAMP	158 171
LM1-230-08	ISR CYLINDER PIN	171
LM1-230-14	ISR LOWER PIN SECURING BOLT	171
LM1-232-50	MAST STAGE 1 3.6	155
LM1-232-60	MAST STAGE 1 3.6M WELD ASSEMBLY	158
LM1-24-00	MAST STAGE 3 COMMON	141 155 168 170 171 172 174 175 176 177
LM1-296-01	MAST MONITOR MAST BRACKET	87
LM1-296-06	ADJUSTABLE SENSOR PICKUP	87
LM1-300-02	STEERING LIMITER - REAR WHEEL ASSEMBLY	94
LM1-300-03	SLEWING RING - REAR WHEEL ASSEMBLY	94
LM1-300-05	SLEWING RING SPACER	94
LM1-302-00	WHEEL ARM WELD ASSEMBLY	94
LM1-340-10	WHEEL PLATE ASSEMBLY 4-WAY LH	117 129 130 131 132
LM1-341-10	WHEEL PLATE ASSEMBLY 4-WAY RH	117 121
LM1-350-06	STABILIZER CYLINDER PIN	106 112 120 130
LM1-350-08	WHEEL PLATE RETAINING WASHER	106 112 120 130

Valid for truck 855-713 to date

PART NUMBER	DESCRIPTION	PAGE NUMBERS
LM1-352-05	4-WAY SHIM	120 130
LM1-352-08	WHEEL PLATE WASHER	106 112 120 130
LM1-352-100	BOTTOM BRACKET - 4 WAY LH	130
LM1-353-00	TOP BRACKET 4-WAY ASSEMBLY LH	130
LM1-355-00	4-WAY PIN ASSEMBLY	120 130
LM1-356-00	4-WAY REAR PIN ASSEMBLY	120 130
LM1-357-00	STABILIZER LEG	106 112 120 130
LM1-370-05	STABILIZER CYLINDER	115 124; STABILIZER CYLINDER RH 112 120
LM1-371-00	4 WAY GUARD RH	120
LM1-372-00	BOTTOM BRACKET 4-WAY RH	120
LM1-373-00	4-WAY TOP BRACKET ASSEMBLY RH	120
LM1-374-00	4-WAY CYLINDER RH	120
LM1-440-20	2-WAY LH ASSEMBLY SHORT PLATE (US&CAN)	104 105 106 107 108 111 112 113 114 121 122
LM1-441-20	2-WAY RH ASSEMBLY SHORT PLATE (US&CAN)	104
LM1-460-00	WHEEL PLATE WELD ASSEMBLY LH (2 WAY SHORT US)	106
LM1-472-01	WHEEL COVER MOUNT	106 112
LM1-472-02	WHEEL COVER MOUNT SMALL	106 112
LM1-472-03	2 WAY WHEEL COVER RH	112
LM1-472-04	2 WAY WHEEL COVER	106
LM1-480-00	WHEEL PLATE WELD ASSEMBLY RH	112
LM1-500-02	CAB FRONT PANEL	226
LM1-500-13	CAB SIDE OUTER PANEL	219
LM1-500-16	SWITCH PANEL PLATE	240
LM1-500-25	CAB MOUNT BAR	23
LM1-500-27	CAB SIDE VENT COVER PLATE	216
LM1-500-30	DUMP VALVE SWITCH PLATE	217
LM1-500-54	CAB FRONT COVER PANEL	226 225
LM1-500-63	THROTTLE POSITION SENSOR LINKAGE	208
LM1-500-65	THROTTLE POSITION SENSOR MOUNT	208
LM1-501-120	CAB VENTS COVER PLATE	212 216
LM1-501-124	DUMP VALVE SWITCH PLATE KIT	212 217
LM1-501-125	CAB DOCUMENT HOLDER	212 222
LM1-501-50	LEVER BANK - SPOOL CONNECTOR	255
LM1-501-66	REG PLATE MOUNT	267
LM1-501-84	LEVER BANK - MOVEMENT RESTRICTOR	255
LM1-501-85	LEVER BANK - EXTENSION FOR REAR LEVERS	255
LM1-501-90	LEVER - REAR LEVER ASSEMBLY	255
LM1-501-97	CAB WELD ASSEMBLY	212 213 214 215
LM1-502-07	PEDAL - ACCELERATOR	208
LM1-503-02	CAB MOUNT WASHER	23
LM1-505-00	CAB - ARMREST/GUARD	223
LM1-505-01	CAB ROOF	214

Valid for truck 855-713 to date

PART NUMBER	DESCRIPTION	PAGE NUMBERS
LM1-506-01	SEAT - UNDER PLATE	204
LM1-506-06	SEAT HATCH PLATE	204
LM1-510-00	SEAT BASE - COMFORT SEAT	204
LM1-510-11	SEAT BELT BRACKET	204
LM1-513-01	GREEN BEACON PLATE	231
LM1-516-30	SWITCH PANEL 2-WAY USA/CAN	241 242
LM1-516-40	SWITCH PANEL 4-WAY USA/CAN	243 244
LM1-600-22	ENGINE MOUNT FRONT LH	276
LM1-600-23	ENGINE MOUNT FRONT RH	276
LM1-600-30	ENGINE MOUNT REAR	276
LM1-602-02	FUEL TANK STRAP	22
LM1-602-03	FUEL TANK STRAP SMALL	22
LM1-602-07	DIESEL TANK	22
LM1-602-20	YSENDER1 MODIFIED FOR LM1 DIESEL TANK	22
LM1-602-21	FUEL RETURN LINE	280
LM1-602-22	FUEL HOSE - TANK TO TEE	280
LM1-602-23	FUEL HOSE ENGINE HIGH PRESSURE RETURN	280
LM1-602-24	FUEL HOSE - PRE FILTER TO PUMP	280
LM1-602-25	FUEL HOSE - PUMP TO FILTER	280
LM1-602-26	HOSE – MAIN FUEL FILTER TO ENGINE	282
LM1-602-27	FUEL HOSE - TEE TO PRE FILTER	280
LM1-602-28	WFS ADAPTER LOOM MOUNT	280
LM1-602-750	DIESEL TANK COMPLETE WITH MOUNTINGS	14 21 22
LM1-605-18	DOC TAIL PIPE BRACKET	283
LM1-605-19	EXHAUST DOWNPIPE	283
LM1-606-20	AIR FILTER MOUNT	277
LM1-606-28	AIR BOX SEAL KIT	288
LM1-606-30	AIR BOX	288
LM1-606-42	ENGINE - TAC TIE POINT	277
LM1-606-46	FUEL FILTER MOUNT SPACER TUBE	280
LM1-606-50	FUEL FILTER MOUNT	280
LM1-606-80	RADIATOR SHROUD	83
LM1-616-03	RADIATOR SUPPORT BUSH	288
LM1-616-15	EXPANSION TANK	290
LM1-616-16	EXPANSION TANK CAP	290
LM1-616-21	COOLANT HOSE LOWER	289
LM1-616-210	COOLANT HOSE	276
LM1-616-22	COOLANT HOSE TOP	289
LM1-616-23	CHARGE AIR COOLER HOSE TOP	289
LM1-616-24	CHARGE AIR COOLER HOSE	289
LM1-616-26	AIR INTAKE HOSE	291
LM1-616-29	HOSE - EXTENSION HOSE FOR CAC	285

Valid for truck 855-713 to date

PART NUMBER	DESCRIPTION	PAGE NUMBERS
LM1-616-31	RADIATOR BLEED HOSE	290
LM1-616-32	COOLAND OVERFLOW HOSE	290
LM1-616-40	EXPANSION TANK	289
LM1-617-21	HYDRAULIC OIL COOLER	295 296
LM1-617-40	COOLING PACK WATER/AIR	288
LM1-707-50	DUMP VALVE	221
LM1-708-00	HYDROSTATIC PUMP	292
LM1-710-44	BATTERY CLAMP AND ISOLATOR MOUNT	29
LM1-711-10	6 PORT RETURN MANIFOLD	53
LM1-712-00	LIGHT PROTECTION BRACKET	81 227
LM1-720-20	6-PORT MANIFOLD	295
LM1-800-10	SUZI SOCKET WITH FASTENERS	14 31
LM1-810-05	CAB - REAR LIGHTS LOOM	265
LM1-810-06	LOOM BONNET	81
LM1-810-07	CAB FRONT WORKLIGHT LOOM	212 264
LM1-815-00	SIDE MARKER LIGHT LOOM	271 272
LM1-816-00	NUMBER PLATE LOOM	267
LM1-830-01	LOOM - HATZ ENGINE	81
LM1-830-03	FUEL FILTER ADAPTER LOOM	280
LM1-831-00	SECONDARY BEACON LOOM	231
LM1-840-01	INDICATOR LIGHT	227 225
LM1-870-10	BATTERY AND MOUNTING ASSEMBLY	14 28 29
LM1-906-04	CHAIN HOOK - RH	18
LM1-906-05	CHAIN HOOK - LH	17
LM1-906-400	CHASSIS CHAIN HOOK ASSEMBLY RH	14 18
LM1-906-500	CHASSIS CHAIN HOOK ASSEMBLY LH	14 17
LM2-209-00	PANTOGRAPH PIVOT TUBE	177
LM2-209-01	PANTOGRAPH PIVOT BEARING SPACER	177
LM2-209-02	PANTOGRAPH ARM SPINDLE	177
LM2-209-04	ISR PIVOT WASHER	177
LM2-501-130	CAB - ARMREST GUARD	212
LM8REARLEVERKIT	LEVER - REAR LEVER ARM ASSEMBLY KIT	255
MAST CHAIN ROLLER	MAST CHAIN ROLLER	147 162
MAST HOSE ROLLER	MAST HOSE ROLLER	147 162
PARALLEL MAST BEARING	PARALLEL MAST BEARING	143 147 158 162 186 194
RADIATOR MOUNT - LOWER LH	RADIATOR MOUNT - LOWER LH	288
SECONDARY BEACON LOOM	SECONDARY BEACON LOOM	231
SIDESHIFT CYLINDER	SIDESHIFT CYLINDER	181
STAGE 2 3.1M MAST WA	STAGE 2 3.1M MAST WA	147
STAGE 2 3.6M MAST WA	STAGE 2 3.6M MAST WA	162
TILT CYLINDER	TILT CYLINDER	168 172 175 179 186 194
YBATTERY1	BATTERY	29

Valid for truck 855-713 to date

PART NUMBER	DESCRIPTION	PAGE NUMBERS
YBEACON10	WARNING LIGHT AND BUZZER	244
YBEACON6	BEACON LIGHT - ORANGE	229
YBEARGX25F	4-WAY THRUST BEARING	120 130
YBEARING18	HOSE ROLLER BEARING	147 162
YBEARING19	MAST BEARING - PARALLEL	158 162 175 177; PARALELL MAST BEARING 143 147
YBEARING20	MAST BEARING - TAPERED	158 171
YBEARING21	BEARING - DOUBLE ROW ANGULAR CONTACT	177
YBEEP1	REVERSE BEEPER 12-24V	32 33
YBLOCK1B	HYDRAULIC DIFFERENTIAL LOCK	292
YBOX2	LIGHT JUNCTION BOX	45
YBUFFER1	SEAT BUFFER	204 223
YBUFFER4	BUFFER	177
YBUSH15	PEDAL - ACCELERATOR PEDAL BUSH	208
YBUSH5	TILT CYLINDER FORK CARRIAGE DX BUSH	172 175
YBUSH6	BUSH LOWER SHORT LINK ARM	171
YBUSH7	4-WAY DX BUSH	120 130 171
YCHAINBOLT1	CHAIN BOLT - MAST	145 160
YCHAINKIT1	CHAIN KIT 3.1M MAST	144 145
YCHAINKIT2	CHAIN KIT 3.6M MAST	158 159 160 163
YCHAINPIN1	YCHAINBOLT1 PIN	145 160
YCIRCLIP6	40.0 SHAFT EXTERNAL CIRCLIP	147 162
YCOUPLING1	ENGINE TO HYDROSTATIC PUMP COUPLING	277
YDISPLAY1	CAB - DISPLAY SCREEN	236
YDOCHOLD4	DOCUMENT HOLDER	222
YFAN2	FAN - COOLING FAN	288
YFILLER5	FUEL CAP – NON LOCKING	22
YFILTER1	HYDRAULIC COMBINATION FILTER	45 292 295
YFILTER11	AIR FILTER ASSEMBLY	291
YFILTER13	FILTER FOR YFILTER11 AIR FILTER	291
YFILTER23	FUEL FILTER MAIN	282
YFILTER24	FUEL PRE FILTER	282
YFILTERMOUNT1	AIR FILTER MOUNT TO ENGINE	291
YFUELCONNECTOR1	FUEL CONNECTOR	282
YFUEL PUMP1	FUEL FEED PUMP	282
YFUSEBOX2	FUSE BOX 14-WAY	233 234 235
YGASTRUT31	CAB ARMREST/GUARD GAS STRUT	223
YGASTRUT35	SEAT HINGE GAS STRUT	204
YGN0600	GREASE NIPPLE	94 120 130 143 147 158 162 172 177 186 194
YHORN1	HORN 12V HIGH TONE 110dB	32 33
YISO1	BATTERY ISOLATOR SWITCH	29
YJOINER2	CAC TO INLET MANIFOLD JOINER	285
YKEY1	IGNITION KEY SWITCH	237

Valid for truck 855-713 to date

PART NUMBER	DESCRIPTION	PAGE NUMBERS
YLATCH13	BONNET - CENTRE BONNET CAM LATCH	83
YLATCH60	BONNET LOCK	80
YLATCH61	BONNET LOCK	27
YLEVER1	LEVER BANK	179 181 257 255
YLEVER4	LEVER - STANDARD FOR LEVERBANK	255 258
YLEVER5	LEVER - 193MM WITH INTEGRATED MICRO SWITCH	255 258
YLEVER6	LEVER - 164MM LONG	255
YLEVERPIVOT1	LEVER - PIVOT	255
YLIGHT27	INDICATOR LIGHT LH	227
YLIGHT28	LIGHT - SIDE/INDICATOR RH	81
YLIGHT43	LIGHT - LED WORKLIGHT	81 263 264 265
YLIGHT53	GLOW PLUG LIGHT	238
YLIGHT69	GREEN LED FLASHING BEACON	231
YLPIN1	LYNCH PIN	16
YMOTOR16	FAN MOTOR	288
YMOTOR2	WHEEL MOTOR REAR - BRAKED 750CC	94
YMOTOR24	FRONT WHEEL MOTOR	106 112 120 130
YMOUNT5	ENGINE MOUNT	30 14 30
YMOUNT6	ENGINE MOUNT	30 14
YMOUNT7	CAB MOUNT	23
YPAD1	WEAR PAD	106 112 120 130 175
YPCT15	HOSE CLAMP	171 177
YPEDAL1	PEDAL - FORWARD/REVERSE	209 210
YPROBE1	QUICK RELEASE PROBE	294
YPUMP19	PUMP - TANDEM PUMP	294 295
YPUMP5	HYDROSTATIC TRANSMISSION PUMP	294
YROLLER1	MAST CHAIN ROLLER	147 162
YSEALKIT6	SEAL KIT FOR 50/30 CYLINDER	106 112 151 166 171
YSEAT5	SEAT - COMFORT SEAT	204
YSEATBELT3	SEAT BELT - ORANGE WITH INTERLOCK IP67	204
YSENSOR2	MAST POSITION SENSOR	86
YSPRING6	LATCH SECONDARY.SPRING	80
YSTEER1	STEERING COLUMN	261
YSTEER2	STEERING WHEEL	261
YSTEER2KNOB	STEERING WHEEL KNOB SPARE	261
YSTEERPUMP1	STEERING PUMP	261
YSTRAINER1	DIESEL STRAINER STAINLESS STEEL 1" BSP	22
YSTRAINERCAP1	DIESEL STRAINER CAP BRASS 1" BSP	22
YSUZI1	SUZI SOCKET - 7-SOCKET	31
YSWITCH47	SWITCH - GENERIC	242 244
YSWITCH48	SWITCH - HORN	218 242 244
YSWITCH49	SWITCH - DIFF LOCK	242 244



Valid for truck 855-713 to date

PART NUMBER	DESCRIPTION	PAGE NUMBERS
YSWITCH50	SWITCH - BLANK	242 244
YSWITCH51	SWITCH - 4-WAY AUTO	244
YSWITCH56	SEAT SWITCH ASSEMBLY	204
YSWITCH63	SWITCH - INDICATOR	242 244
YVALVE15	ISR RELIEF VALVE	58 180
YVALVE17	SOLENOID VALVE	220
YVALVE20	LEVER BANK - RELIEF VALVE	255
YVALVE31	COUNTERBALANCE VALVE	259
YVALVE5	PRIORITY VALVE	51 292
YWHLNUT1	WHEEL NUT M14	94

## CHAPTER10.2: INDEX OF DESCRIPTIONS

DESCRIPTION	PART NUMBER	PAGE NUMBERS
2 WAY WHEEL COVER	LM1-472-04	106
2 WAY WHEEL COVER RH	LM1-472-03	112
2-WAY LH ASSEMBLY SHORT PLATE (US&CAN)	LM1-440-20	104 105 106 107 108 111 112 113 114 121 122
2-WAY RH ASSEMBLY SHORT PLATE (US&CAN)	LM1-441-20	104
4 WAY GUARD RH	LM1-371-00	120
40.0 SHAFT EXTERNAL CIRCLIP	YCIRCLIP6	147 162
4-WAY CYLINDER RH	LM1-374-00	120
4-WAY DX BUSH	YBUSH7	120 130 171
4-WAY PIN ASSEMBLY	LM1-355-00	120 130
4-WAY REAR PIN ASSEMBLY	LM1-356-00	120 130
4-WAY SENSOR MOUNT	LM1-106-200	86
4-WAY SHIM	LM1-352-05	120 130
4-WAY THRUST BEARING	YBEARGX25F	120 130
4-WAY TOP BRACKET ASSEMBLY RH	LM1-373-00	120
6 PORT RETURN MANIFOLD	LM1-711-10	53
6-PORT MANIFOLD	LM1-720-20	295
ADJUSTABLE SENSOR PICKUP	LM1-296-06	87
AIR BOX	LM1-606-30	288
AIR BOX SEAL KIT	LM1-606-28	288
AIR FILTER ASSEMBLY	YFILTER11	291
AIR FILTER MOUNT	LM1-606-20	277
AIR FILTER MOUNT TO ENGINE	YFILTERMOUNT1	291
AIR INTAKE HOSE	LM1-616-26	291
BATTERY	YBATTERY1	29
BATTERY AND MOUNTING ASSEMBLY	LM1-870-10	14 28 29
BATTERY CLAMP AND ISOLATOR MOUNT	LM1-710-44	29
BATTERY ISOLATOR SWITCH	YISO1	29
BEACON LIGHT - ORANGE	YBEACON6	229
BEARING - DOUBLE ROW ANGULAR CONTACT	YBEARING21	177
BOLT ON STEP	LM1-100-44	15
BONNET - CENTRE BONNET CAM LATCH	YLATCH13	83
BONNET - CENTRE	LM1-106-70	83
BONNET - GRP	LM1-125-10	80
BONNET HINGE	LM1-125-15	26
BONNET HINGE ADJUSTABLE	LM1-125-28	26
BONNET HINGE ASSEMBLY	LM1-125-100	14 26
BONNET LATCH ASSEMBLY	LM1-100-610	14 27
BONNET LOCK	YLATCH60	80
BONNET LOCK	YLATCH61	27
BOTTOM BRACKET - 4 WAY LH	LM1-352-100	130
BOTTOM BRACKET 4-WAY RH	LM1-372-00	120
BUFFER	YBUFFER4	177
BRACKET – BULKHEAD FITTING	LM1-203-102	190
BUSH LOWER SHORT LINK ARM	YBUSH6	171
CAB - ARMREST GUARD	LM2-501-130	212
CAB - ARMREST/GUARD	LM1-505-00	223
CAB - DISPLAY SCREEN	YDISPLAY1	236
CAB - REAR LIGHTS LOOM	LM1-810-05	265
CAB ARMREST/GUARD GAS STRUT	YGASTRUT31	223
CAB DOCUMENT HOLDER	LM1-501-125	212 222
CAB FRONT COVER PANEL	LM1-500-54	226 225

Valid for truck 855-713 to date

DESCRIPTION	PART NUMBER	PAGE NUMBERS
CAB FRONT PANEL	LM1-500-02	226
CAB FRONT WORKLIGHT LOOM	LM1-810-07	212 264
CAB MOUNT	YMOUNT7	23
CAB MOUNT ASSEMBLY	LM1-100-500	14 23
CAB MOUNT BAR	LM1-500-25	23
CAB MOUNT WASHER	LM1-503-02	23
CAB ROOF	LM1-505-01	214
CAB SIDE OUTER PANEL	LM1-500-13	219
CAB SIDE VENT COVER PLATE	LM1-500-27	216
CAB VENTS COVER PLATE	LM1-501-120	212 216
CAB WELD ASSEMBLY	LM1-501-97	212 213 214 215
CAC TO INLET MANIFOLD JOINER	YJOINER2	285
CENTRE FRONT GRILL	LM1-106-160	85
CHAIN BOLT - MAST	YCHAINBOLT1	145 160
CHAIN HOOK - LH	LM1-906-05	17
CHAIN HOOK - RH	LM1-906-04	18
CHAIN KIT 3.1M MAST	YCHAINKIT1	144 145
CHAIN KIT 3.6M MAST	YCHAINKIT2	158 159 160 163
CHAIN PIN ASSEMBLY	LM1-107-100	14 16
CHAIN ROLLER PIN	LM1-206-00	147 162
CHARGE AIR COOLER HOSE	LM1-616-24	289
CHARGE AIR COOLER HOSE TOP	LM1-616-23	289
CHASSIS CHAIN HOOK ASSEMBLY LH	LM1-906-500	14 17
CHASSIS CHAIN HOOK ASSEMBLY RH	LM1-906-400	14 18
CHASSIS STEP ASSEMBLY	LM1-100-440	14 15
CHASSIS WELD ASSEMBLY - T4F	LM1-150-00	14
COOLAND OVERFLOW HOSE	LM1-616-32	290
COOLANT HOSE	LM1-616-210	276
COOLANT HOSE LOWER	LM1-616-21	289
COOLANT HOSE TOP	LM1-616-22	289
COOLANT PIPE AND HOSE TIE POINT	LM1-106-108	289
COOLING PACK WATER/AIR	LM1-617-40	288
CORNER GUARD	LM1-100-270	14 19
COUNTERBALANCE VALVE	YVALVE31	259
COUNTERBALANCE VALVE MOUNT	LM1-100-79	259
DIESEL STRAINER CAP BRASS 1" BSP	YSTRAINERCAP1	22
DIESEL STRAINER STAINLESS STEEL 1" BSP	YSTRAINER1	22
DIESEL TANK	LM1-602-07	22
DIESEL TANK COMPLETE WITH MOUNTINGS	LM1-602-750	14 21 22
DOC - SAFETY GUARD	LM1-103-62	284
DOC SAFETY GUARD BRACKET	LM1-103-66	284
DOC TAIL PIPE BRACKET	LM1-605-18	283
DOCUMENT HOLDER	YDOCHOLD4	222
DUMP VALVE	LM1-707-50	221
DUMP VALVE SWITCH PLATE	LM1-500-30	217
DUMP VALVE SWITCH PLATE KIT	LM1-501-124	212 217
ECU MOUNT AND LOOM JUNCTION	LM1-106-180	83
ENGINE - TAC TIE POINT	LM1-606-42	277
ENGINE MANAGEMENT UNIT	02578600_DMU	83 282
ENGINE MOUNT	YMOUNT5	30 14 30
ENGINE MOUNT	YMOUNT6	30 14
ENGINE MOUNT FRONT LH	LM1-600-22	276
ENGINE MOUNT FRONT RH	LM1-600-23	276
ENGINE MOUNT REAR	LM1-600-30	276
ENGINE TO HYDROSTATIC PUMP COUPLING	YCOUPLING1	277
EXHAUST DOWNPIPE	LM1-605-19	283
EXPANSION TANK	LM1-616-15	290

Valid for truck 855-713 to date

DESCRIPTION	PART NUMBER	PAGE NUMBERS
EXPANSION TANK	LM1-616-40	289
EXPANSION TANK CAP	LM1-616-16	290
FAN - COOLING FAN	YFAN2	288
FAN - RETAINING WASHER	LM1-106-44	288
FAN GRILL - WHEEL WELL	LM1-106-156	288
FAN MOTOR	YMOTOR16	288
FILTER FOR YFILTER11 AIR FILTER	YFILTER13	291
FORK CARRIAGE RETAINER WASHER	LM1-210-12	172
FORK CARRIAGE SLIDE PIN	LM1-213-00	172
FORK CARRIAGE WELD ASSEMBLY	LM1-212-00	172
FRONT WHEEL MOTOR	YMOTOR24	106 112 120 130
FUEL CAP – NON LOCKING	YFILLER5	22
FUEL CONNECTOR	YFUELCONNECTOR1	282
FUEL FEED PUMP	YFUELPUMP1	282
FUEL FILTER ADAPTER LOOM	LM1-830-03	280
FUEL FILTER MAIN	YFILTER23	282
FUEL FILTER MOUNT	LM1-606-50	280
FUEL FILTER MOUNT SPACER TUBE	LM1-606-46	280
FUEL HOSE - PRE FILTER TO PUMP	LM1-602-24	280
FUEL HOSE - PUMP TO FILTER	LM1-602-25	280
FUEL HOSE - TANK TO TEE	LM1-602-22	280
FUEL HOSE - TEE TO PRE FILTER	LM1-602-27	280
FUEL HOSE ENGINE HIGH PRESSURE RETURN	LM1-602-23	280
FUEL PRE FILTER	YFILTER24	282
FUEL RETURN LINE	LM1-602-21	280
FUEL TANK INTERFACE ASSEMBLY	LM1-100-58	22
FUEL TANK STRAP	LM1-602-02	22
FUEL TANK STRAP SMALL	LM1-602-03	22
FUSE BOX 14-WAY	YFUSEBOX2	233 234 235
GLOW PLUG LIGHT	YLIGHT53	238
GREEN BEACON PLATE	LM1-513-01	231
GREEN LED FLASHING BEACON	YLIGHT69	231
HORN 12V HIGH TONE 110dB	YHORN1	32 33
HOSE - EXTENSION HOSE FOR CAC	LM1-616-29	285
HOSE – MAIN FUEL FILTER TO ENGINE	LM1-602-26	282
HOSE CLAMP	YPCT15	171 177
HOSE ROLLER BEARING	YBEARING18	147 162
HOSE SWIVEL BRACKET	LM1-107-03	14
HYDRAULIC COMBINATION FILTER	YFILTER1	45 292 295
HYDRAULIC DIFFERENTIAL LOCK	YBLOCK1B	292
HYDRAULIC HOSE CLAMP	LM1-224-00	158 171
HYDRAULIC OIL COOLER	LM1-617-21	295 296
HYDROSTATIC PUMP	LM1-708-00	292
HYDROSTATIC TRANSMISSION PUMP	YPUMP5	294
IGNITION KEY SWITCH	YKEY1	237
INDICATOR LIGHT	LM1-840-01	227 225
INDICATOR LIGHT LH	YLIGHT27	227
ISR CYLINDER PIN	LM1-230-08	171
ISR LONG LINK ARM WELD ASSEMBLY	LM1-208-00	171 172 177
ISR LOWER PIN SECURING BOLT	LM1-230-14	171
ISR PIVOT WASHER	LM2-209-04	177
ISR REACH CYLINDER	LM1-210-14	171 180 259
ISR RELIEF VALVE	YVALVE15	58 180
ISR SHORT LINK ARM WELD ASSEMBLY	LM1-209-00	171 175 177
LATCH SECONDARY.SPRING	YSPRING6	80
LEVER - 164MM LONG	YLEVER6	255
LEVER - 193MM WITH INTEGRATED MICRO SWITCH	YLEVER5	255 258

Valid for truck 855-713 to date

DESCRIPTION	PART NUMBER	PAGE NUMBERS
LEVER - PIVOT	YLEVERPIVOT1	255
LEVER - REAR LEVER ARM ASSEMBLY KIT	LM8REARLEVERKIT	255
LEVER - REAR LEVER ASSEMBLY	LM1-501-90	255
LEVER - STANDARD FOR LEVERBANK	YLEVER4	255 258
LEVER BANK - EXTENSION FOR REAR LEVERS	LM1-501-85	255
LEVER BANK - MOVEMENT RESTRICTOR	LM1-501-84	255
LEVER BANK - RELIEF VALVE	YVALVE20	255
LEVER BANK - SPOOL CONNECTOR	LM1-501-50	255
LIFT CYLINDER 3.6M	LM1-210-53	158
LIFT CYLINDER C-SHAPE SPACER	LM1-200-07	158
LIGHT - LED WORKLIGHT	YLIGHT43	81 263 264 265
LIGHT - SIDE/INDICATOR RH	YLIGHT28	81
LIGHT JUNCTION BOX	YBOX2	45
LIGHT PROTECTION BRACKET	LM1-712-00	81 227
LOADING CHAIN PIN	LM1-107-01	16
LOOM - HATZ ENGINE	LM1-830-01	81
LOOM BONNET	LM1-810-06	81
LOWER LOUVRE ASSEMBLY	LM1-106-30	24
LYNCH PIN	YLPIN1	16
MAST BEARING - PARALLEL	YBEARING19	158 162 175 177; PARALELL MAST BEARING 143 147
MAST BEARING - TAPERED	YBEARING20	158 171
MAST CHAIN ROLLER	YROLLER1	147 162
MAST HOSE COVER PANEL	LM1-219-00	158
MAST HOSE ROLLER 6-BERTH	LM1-204-01	162
MAST MONITOR MAST BRACKET	LM1-296-01	87
MAST PIN ASSEMBLY TO REACH CYLINDER	LM1-217-00	158
MAST POSITION SENSOR	YSENSOR2	86
MAST STAGE 1 3.6	LM1-232-50	155
MAST STAGE 1 3.6M WELD ASSEMBLY	LM1-232-60	158
MAST STAGE 2 3.1M	LM1-204-00	141 146 147
MAST STAGE 2 3.6M	LM1-223-03	155 161
MAST STAGE 2 3.6M WELD ASSEMBLY	LM1-223.02	162
MAST STAGE 2 WELD ASSEMBLY	LM1-205-00	162 147
MAST STAGE 3 COMMON	LM1-24-00	141 155 168 170 171 172 174 175 176 177
MAST STAGE 3 WELD ASSEMBLY	LM1-207-00	171
MAST STAGE1 3.1M	LM1-202-50	141 142 143
NUMBER PLATE LOOM	LM1-816-00	267
PANTOGRAPH ARM BOSS	LM1-221-14	177
PANTOGRAPH ARM SPINDLE	LM2-209-02	177
PANTOGRAPH PIVOT BEARING SPACER	LM2-209-01	177
PANTOGRAPH PIVOT TUBE	LM2-209-00	177
PEDAL - ACCELERATOR	LM1-502-07	208
PEDAL - ACCELERATOR PEDAL BUSH	YBUSH15	208
PEDAL - ACCELERATOR PEDAL SPRING	3J0167	208
PEDAL - FORWARD/REVERSE	YPEDAL1	209 210
PIN ASSEMBLY – TILT CYLINDER BOTTOM	LM1-214-00	175
PRIORITY VALVE	YVALVE5	51 292
PUMP - TANDEM PUMP	YPUMP19	294 295
QUICK RELEASE PROBE	YPROBE1	294
RADIATOR - LOWER MOUNT	LM1-106-138	288
RADIATOR - TOP MOUNT RH	LM1-106-137	288
RADIATOR BLEED HOSE	LM1-616-31	290
RADIATOR SHROUD	LM1-106-130	288
RADIATOR SHROUD	LM1-606-80	83
RADIATOR SHROUD SEAL	LM1-106-135	288

Valid for truck 855-713 to date

DESCRIPTION	PART NUMBER	PAGE NUMBERS
RADIATOR SUPPORT BUSH	LM1-616-03	288
RADIATOR TOP MOUNT LH	LM1-106-136	288
REAR CHASSIS LOUVRE COMPLETE	LM1-106-330	14 24
REG PLATE MOUNT	LM1-501-66	267
REVERSE BEEPER 12-24V	YBEEP1	32 33
REVERSE SWITCH BANJO	LM1-108-23	294
SEAL KIT FOR 50/30 CYLINDER	YSEALKIT6	106 112 151 166 171
SEAT - COMFORT SEAT	YSEAT5	204
SEAT - UNDER PLATE	LM1-506-01	204
SEAT BASE - COMFORT SEAT	LM1-510-00	204
SEAT BELT - ORANGE WITH INTERLOCK IP67	YSEATBELT3	204
SEAT BELT BRACKET	LM1-510-11	204
SEAT BUFFER	YBUFFER1	204 223
SEAT HATCH PLATE	LM1-506-06	204
SEAT HINGE GAS STRUT	YGASTRUT35	204
SEAT SWITCH ASSEMBLY	YSWITCH56	204
SECONDARY BEACON LOOM	LM1-831-00	231
SHORT LINK ISR ARM PIN ASSEMBLY	LM1-216-00	175
SHORT LINK ISR SQUARE RETAINING WASHER	LM1-220-00	175
SIDE MARKER LIGHT LOOM	LM1-815-00	271 272
SIDE SHIFT CYLINDER	LM1-210-09	172 181
SIDE SHIFT PIN	LM1-217-05	172
SLEWING RING - REAR WHEEL ASSEMBLY	LM1-300-03	94
SLEWING RING SPACER	LM1-300-05	94
SOLENOID VALVE	YVALVE17	220
STABILIZER CYLINDER	LM1-350-10	109 133; STABILIZER CYLINDER LH 106 130
STABILIZER CYLINDER	LM1-370-05	115 124; STABILIZER CYLINDER RH 112 120
STABILIZER CYLINDER PIN	LM1-350-06	106 112 120 130
STABILIZER LEG	LM1-357-00	106 112 120 130
STEERING COLUMN	YSTEER1	261
STEERING LIMITER - REAR WHEEL ASSEMBLY	LM1-300-02	94
STEERING PUMP	YSTEERPUMP1	261
STEERING WHEEL	YSTEER2	261
STEERING WHEEL KNOB SPARE	YSTEER2KNOB	261
SUZI SOCKET – 7-SOCKET	YSUZI1	31
SUZI SOCKET WITH FASTENERS	LM1-800-10	14 31
SWITCH - 4-WAY AUTO	YSWITCH51	244
SWITCH - BLANK	YSWITCH50	242 244
SWITCH - DIFF LOCK	YSWITCH49	242 244
SWITCH - GENERIC	YSWITCH47	242 244
SWITCH - HORN	YSWITCH48	218 242 244
SWITCH - INDICATOR	YSWITCH63	242 244
SWITCH PANEL 2-WAY USA/CAN	LM1-516-30	241 242
SWITCH PANEL 4-WAY USA/CAN	LM1-516-40	243 244
SWITCH PANEL PLATE	LM1-500-16	240
THROTTLE POSITION SENSOR LINKAGE	LM1-500-63	208
THROTTLE POSITION SENSOR MOUNT	LM1-500-65	208
TILT CARRIAGE WELD ASSEMBLY	LM1-211-00	172
TILT CYLINDER	LM1-210-03	175 179
TILT CYLINDER FORK CARRIAGE DX BUSH	YBUSH5	172 175
TILT FRAME	LM1-211-50	175
TOP BRACKET 4-WAY ASSEMBLY LH	LM1-353-00	130
TRAILER PAD	LM1-200-02	158
VALANCE - STANDARD MAST LH	LM1-100-72	32 34
VALANCE - STANDARD MAST RH	LM1-100-73	32 35

Valid for truck 855-713 to date

DESCRIPTION	PART NUMBER	PAGE NUMBERS
WARNING LIGHT AND BUZZER	YBEACON10	244
WEAR PAD	YPAD1	106 112 120 130 175
WFS ADAPTER LOOM MOUNT	LM1-602-28	280
WHEEL ARM WELD ASSEMBLY	LM1-302-00	94
WHEEL COVER MOUNT	LM1-472-01	106 112
WHEEL COVER MOUNT SMALL	LM1-472-02	106 112
WHEEL MOTOR REAR - BRAKED 750CC	YMOTOR2	94
WHEEL NUT M14	YWHLNUT1	94
WHEEL PLATE ASSEMBLY 4-WAY LH	LM1-340-10	117 129 130 131 132
WHEEL PLATE ASSEMBLY 4-WAY RH	LM1-341-10	117 121
WHEEL PLATE RETAINING WASHER	LM1-350-08	106 112 120 130
WHEEL PLATE WASHER	LM1-352-08	106 112 120 130
WHEEL PLATE WELD ASSEMBLY LH (2 WAY SHORT US)	LM1-460-00	106
WHEEL PLATE WELD ASSEMBLY RH	LM1-480-00	112
YCHAINBOLT1 PIN	YCHAINPIN1	145 160
YSENDER1 MODIFIED FOR LM1 DIESEL TANK	LM1-602-20	22
GREASE NIPPLE	YGN0600	94 120 130 143 147 158 162 172 177 186 194
LEVER BANK	YLEVER1	179 181 257 255
MAST CHAIN ROLLER	MAST CHAIN ROLLER	147 162
MAST HOSE ROLLER	MAST HOSE ROLLER	147 162
PARALLEL MAST BEARING	PARALLEL MAST BEARING	143 147 158 162 186 194
RADIATOR MOUNT - LOWER LH	RADIATOR MOUNT - LOWER LH	288
SECONDARY BEACON LOOM	SECONDARY BEACON LOOM	231
SIDESHIFT CYLINDER	SIDESHIFT CYLINDER	181
STAGE 2 3.1M MAST WA	STAGE 2 3.1M MAST WA	147
STAGE 2 3.6M MAST WA	STAGE 2 3.6M MAST WA	162
TILT CYLINDER	TILT CYLINDER	168 172 175 179 186 194